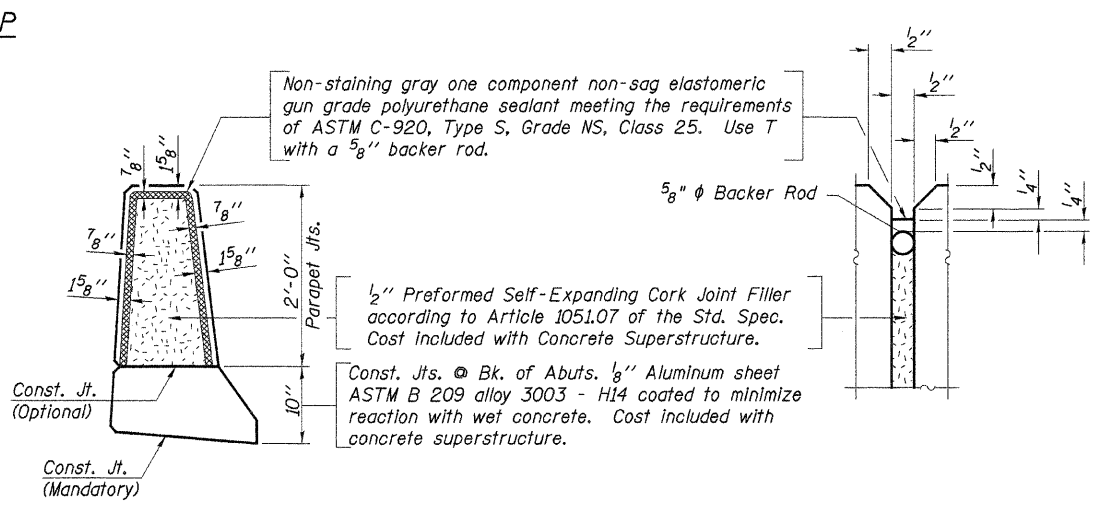


MIN. BAR LAP

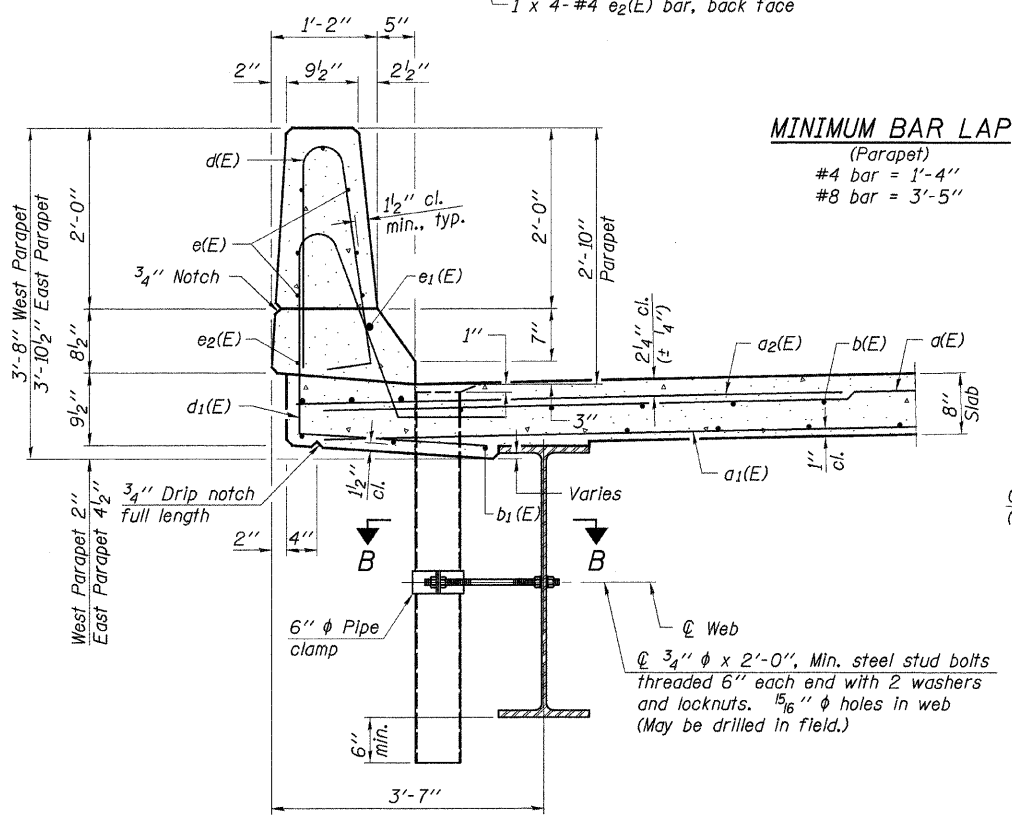
#4 Bar = 1'-8"
 #8 Bar = 4'-6"
 Note: Bars indicates thus 1x4-#8 etc. indicates 1 line of bars with 4 lengths per line.

INSIDE ELEVATION OF PARAPET

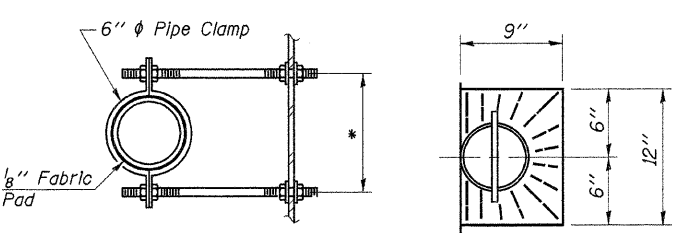


PARAPET JOINT DETAILS

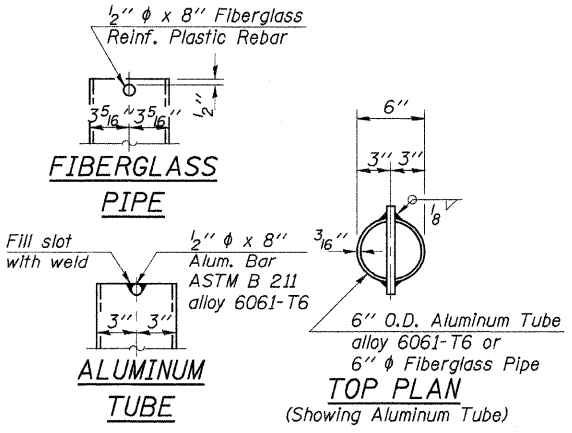
Notes:
 Floor Drains need not be painted.
 Fiberglass pipe shall conform to ASTM D 2996, with short-time rupture strength hoop tensile stress of 30,000 p.s.i. minimum.



SECTION THRU PARAPET

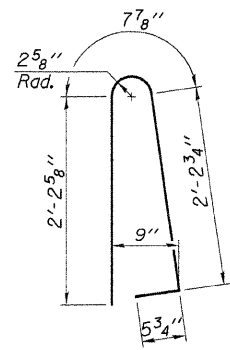


SECTION B-B
 * Dimension as required by Pipe Clamp

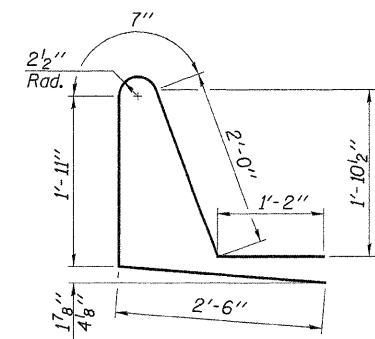


FIBERGLASS PIPE

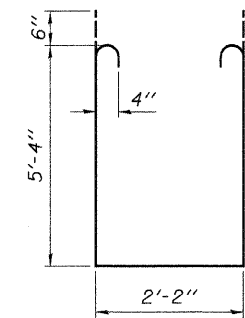
ALUMINUM TUBE



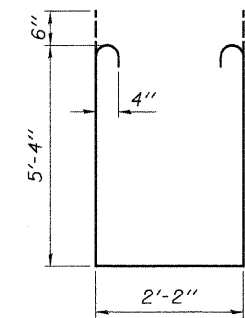
BAR d(E)



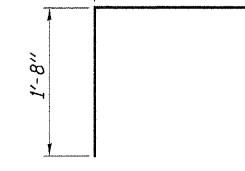
BAR d1(E) & d2(E)



BAR s(E)



BAR s1(E)



BAR v(E)

SUPERSTRUCTURE BILL OF MATERIAL

Bar	No.	Size	Length	Shape
d(E)	280	#5	36'-6"	—
d1(E)	342	#5	19'-6"	—
d2(E)	282	#6	6'-0"	—
b(E)	160	#5	33'-7"	—
b1(E)	170	#5	27'-4"	—
a(E)	280	#5	5'-7"	┘
d1(E)	140	#5	8'-2"	┘
d2(E)	140	#5	8'-2"	┘
e(E)	98	#4	17'-11"	—
e1(E)	10	#8	29'-3"	—
e2(E)	8	#4	33'-3"	—
m(E)	4	#7	36'-10"	—
m1(E)	6	#6	36'-10"	—
m2(E)	20	#6	10'-3"	—
m3(E)	8	#6	7'-2"	—
m4(E)	4	#6	3'-3"	—
s(E)	80	#5	6'-11"	┘
s1(E)	68	#4	13'-10"	┘
v(E)	74	#5	3'-4"	┘
Floor Drains			Each	7
Name Plates			Each	1
Reinforcement Bars, Epoxy Coated			Pound	39,270
Concrete Superstructure			Cu. Yds.	194.0
Protective Coat			Sq. Yd.	590
Bridge Deck Grooving			Sq. Yd.	456
Bar Splacers			Each	68

Bars indicated thus 1 x 5-#5 etc. indicates 1 line of bars with 5 lengths per line.

SUPERSTRUCTURE DETAILS

SECTION 93-00112-00-BR
 JO DAVIESS COUNTY
 COUNTY HIGHWAY 3
 STATION 18+74.60

DESIGNED	J.A.M.
CHECKED	A.R.K.
DRAWN	S.A.P.
CHECKED	A.R.K. & J.A.M.