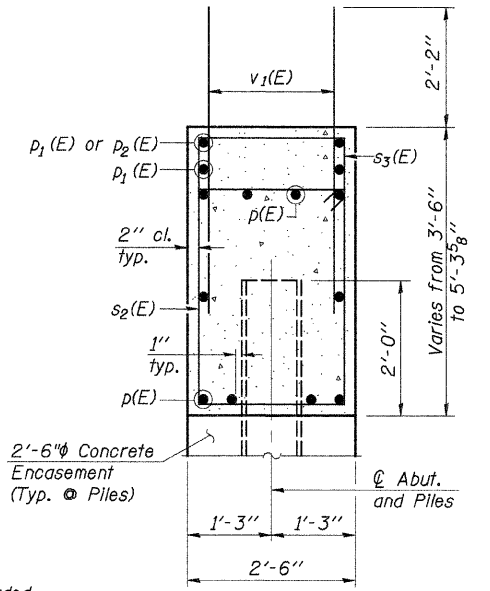


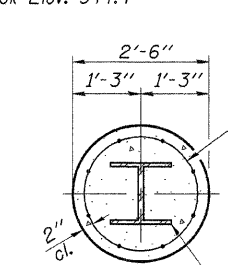
PILE DATA

Type & Size: Steel Piles HP14x89
 Nominal Required Bearing: Set in Rock (See Note A)
 Est. Length: 28 ft.
 No. Production Piles: 5
 The Steel H-Piles shall be according to ASTM A270 Grade 50

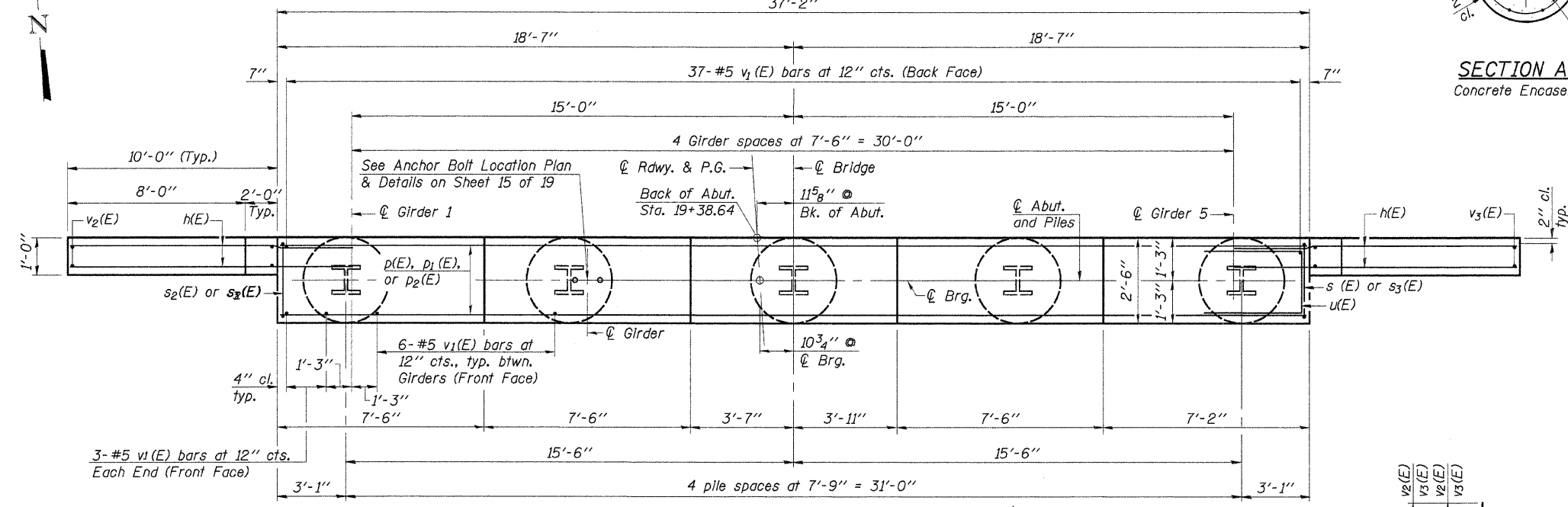
ELEVATION
 (Looking North)
 37'-2"



SEC. THRU ABUT.



SECTION A-A
 Concrete Encasement

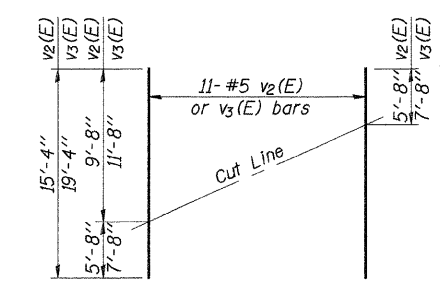


PLAN

NORTH ABUT. BILL OF MATERIAL

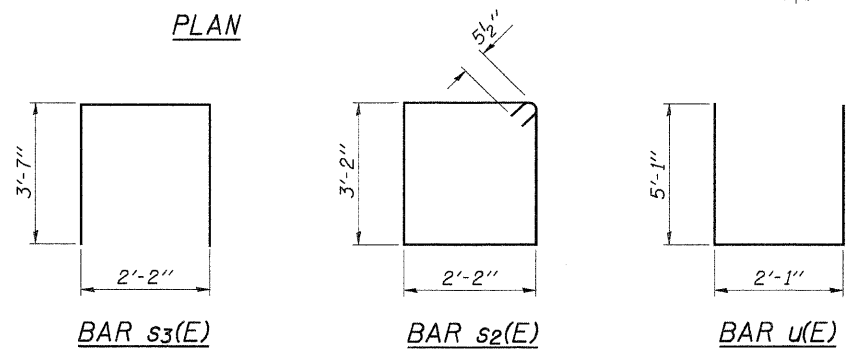
Bar	No.	Size	Length	Shape
h(E)	52	#7	13'-0"	
p(E)	10	#7	36'-10"	
p1(E)	6	#7	15'-0"	
p2(E)	2	#7	7'-3"	
s2(E)	34	#5	11'-7"	□
s3(E)	32	#5	9'-4"	□
u(E)	10	#6	12'-3"	□
v1(E)	67	#5	4'-4"	
v2(E)	11	#5	15'-4"	
v3(E)	11	#5	19'-4"	
Structure Excavation			Cu. Yd.	68
Concrete Structures			Cu. Yd.	22.1
Reinforcement Bars, Epoxy Coated			Pound	3,960
Furnishing Steel Piles HP14x89			Foot	140
Setting Piles in Rock			Each	5
Concrete Encasement			Cu. Yd.	2.8

For details of piles see sheet 18 of 19.



FIELD CUTTING DIAGRAM

Order v2(E) and v3(E) full length. Cut as shown and use remainder of bars in opposite face.



DESIGNED	J.A.M.
CHECKED	A.R.K.
DRAWN	S.A.P.
CHECKED	A.R.K. & J.A.M.

*Note A:
 Precore through existing earth, fragmented limestone and sound rock as shown. Piles shall be grouted into the rock with Class SI Concrete. Precored holes shall be clean at time of placement and grouting. The Class SI Concrete used for grouting piles into rock and the Porous Granular Embankment Material used to fill cored holes, are included in the price for "Setting Piles in Rock."
 See Special Provisions.

NORTH ABUTMENT
 SECTION 93-00112-00-BR
 JO DAVIESS COUNTY
 COUNTY HIGHWAY 3
 STATION 18+74.60

4440 ASH GROVE
 SPRINGFIELD, IL 62711
 (217) 793-8600
 www.fehr-graham.com

FEHR-GRAHAM & ASSOCIATES, LLC
 ENGINEERING AND SCIENCE CONSULTANTS
 FRESNO, IL, ROCKFORD, IL, ROCKFORD, IL, MONROE, WI, SPRINGFIELD, IL

JOB NO.: 46859
 FILE: ABUT2.dgn
 DATE: 03/24/09