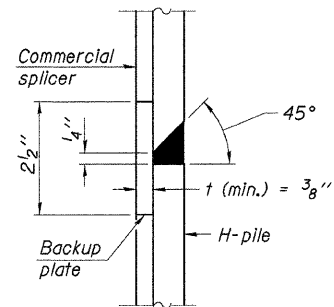
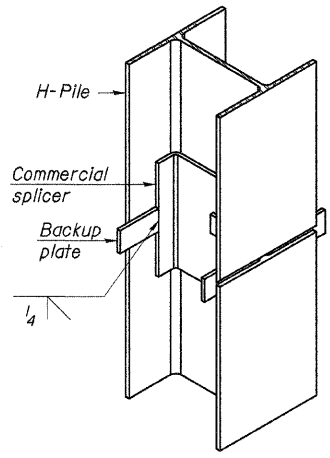


ELEVATION

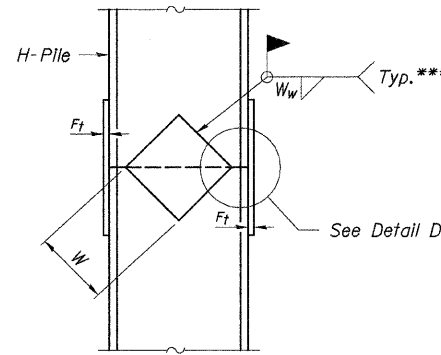


DETAIL "B"

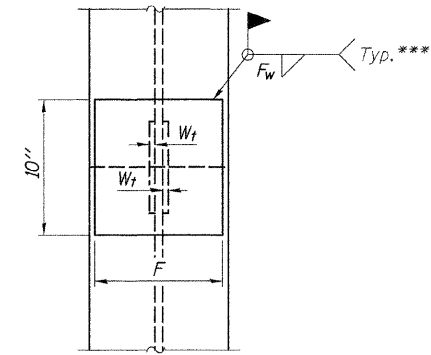


ISOMETRIC VIEW

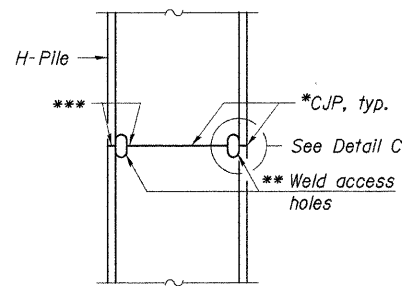
WELDED COMMERCIAL SPLICE



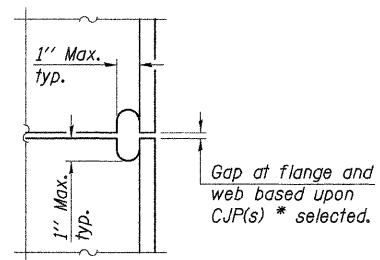
ELEVATION



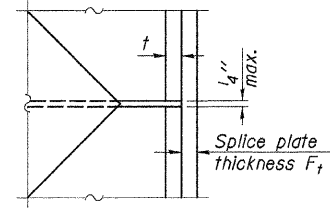
END VIEW



ELEVATION



DETAIL C



DETAIL D

COMPLETE PENETRATION WELD SPLICE

DESIGNED	J.A.M.
CHECKED	A.R.K.
DRAWN	S.A.P.
CHECKED	A.R.K. & J.A.M.

F-HP

11-1-06

- * Use joint conforming to Figure 3.4 in AWS D1.1, Structure Welding Code - Steel.
- ** Preparation per Fig. 5.2 in AWS D1.1, Structure Welding Code - Steel.
- *** Interrupt welds 1/4" from end of each pile.

Note:
The steel H-piles shall be according to AASHTO M270 Grade 50.

WELDED PLATE FIELD SPLICE

Designation	F	Ft	Fw	W	Wt	Ww
HP 14x117	12 1/2"	1"	7/8"	7 3/4"	5/8"	1/2"
x102	12 1/2"	7/8"	3/4"	7 3/4"	5/8"	1/2"
x89	12 1/2"	3/4"	1/2"	7 3/4"	5/8"	1/2"
x73	12 1/2"	5/8"	9/16"	7 3/4"	5/8"	1/2"
HP 12x84	10"	7/8"	1/2"	6 1/2"	5/8"	1/2"
x74	10"	7/8"	1/2"	6 1/2"	5/8"	1/2"
x63	10"	5/8"	1/2"	6 1/2"	1/2"	3/8"
x53	10"	5/8"	1/2"	6 1/2"	1/2"	3/8"
HP 10x57	8"	3/4"	9/16"	5 1/4"	1/2"	3/8"
x42	8"	5/8"	9/16"	5 1/4"	1/2"	3/8"
HP 8x36	7"	5/8"	7/16"	4 1/4"	1/2"	3/8"

STEEL PILE DETAILS

SECTION 93-00112-00-BR
JO DAVIESS COUNTY
COUNTY HIGHWAY 3
STATION 18+74.60

4440 ASH GROVE
SPRINGFIELD, IL 62711
(217) 793-8600
www.fehr-graham.com

FEHR-GRAHAM & ASSOCIATES, LLC
ENGINEERING AND SCIENCE CONSULTANTS
FREEPORT, IL ROCKFORD, IL ROCKFORD, WI SPRINGFIELD, IL

JOB NO.: 46859
FILE: PILES.dgn
DATE: 03/24/09