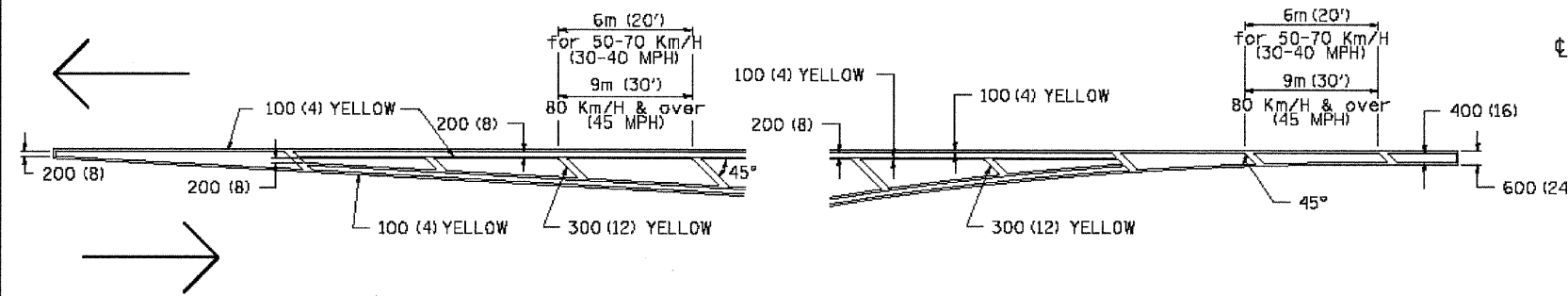


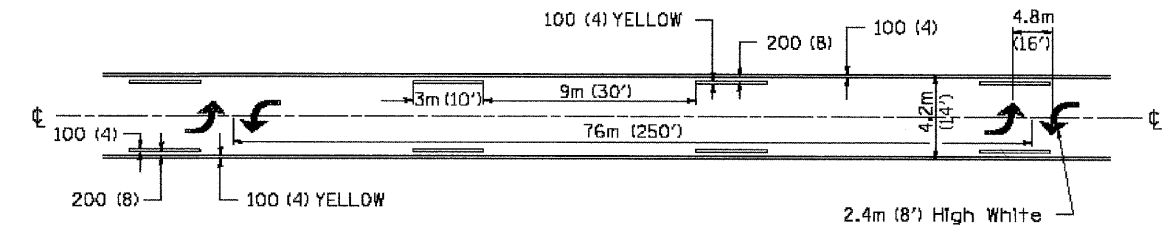


# TYPICAL PAVEMENT MARKINGS

## TYPICAL PAVEMENT MARKING FOR FLUSH MEDIAN AT LEFT TURN LANE

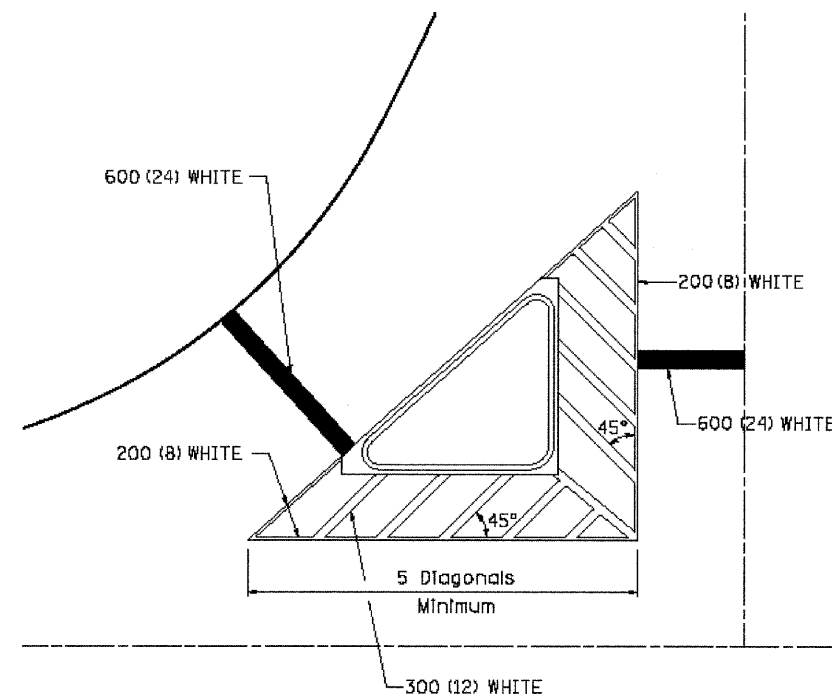


## MEDIAN PAVEMENT MARKING

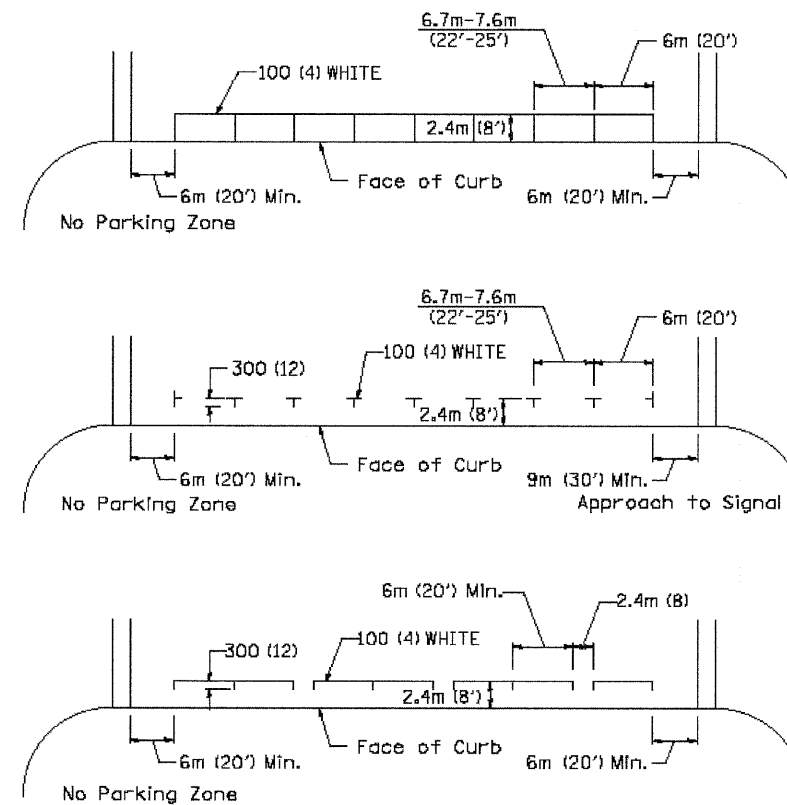


\*\* ALL DIMENSIONS ARE IN MILLIMETERS (INCHES) UNLESS OTHERWISE NOTED.

## TYPICAL ISLAND OFFSET SHOULDER WIDTH

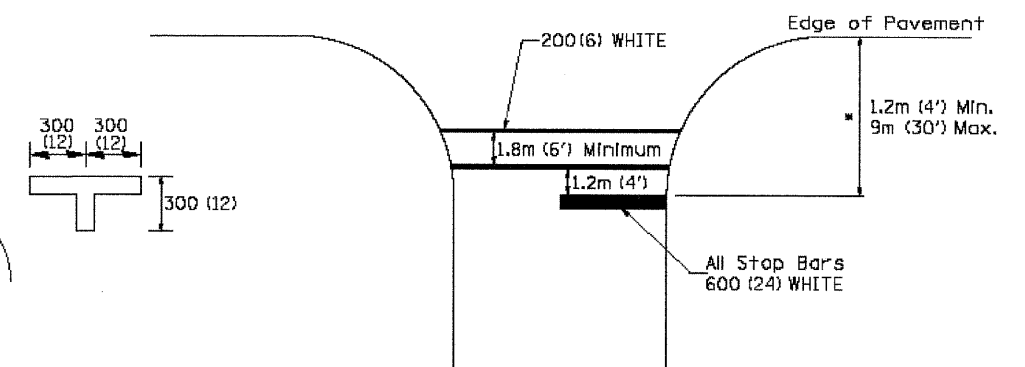


## TYPICAL PARKING SPACING



## STANDARD CROSSWALK MARKING

See Schedules for Locations



• Distance to the nearest edge of the intersecting roadway in the absence of a marked crosswalk.

FILE NAME = D:\Projects\2008\2008\Full\85482.dwg	USER NAME = #USER#	DESIGNED -	REvised - 10-21-08
		DRAWN -	REvised -
		CHECKED -	REvised -
		DATE -	REvised -

STATE OF ILLINOIS  
DEPARTMENT OF TRANSPORTATION

REGION 2 / DISTRICT 2 STANDARD

SCALE:	SHEET NO.	OF	SHEETS	STA.	TD STA.	F.A.R.T.E.	SECTION	COUNTY	TOTAL SHEETS	SHEET NO.