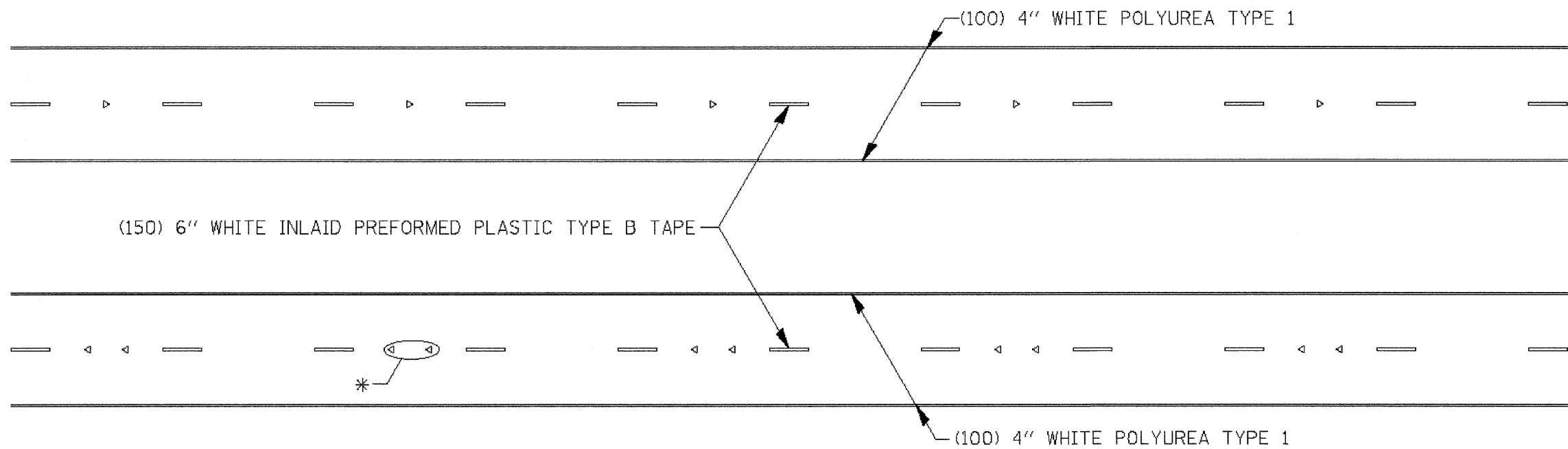


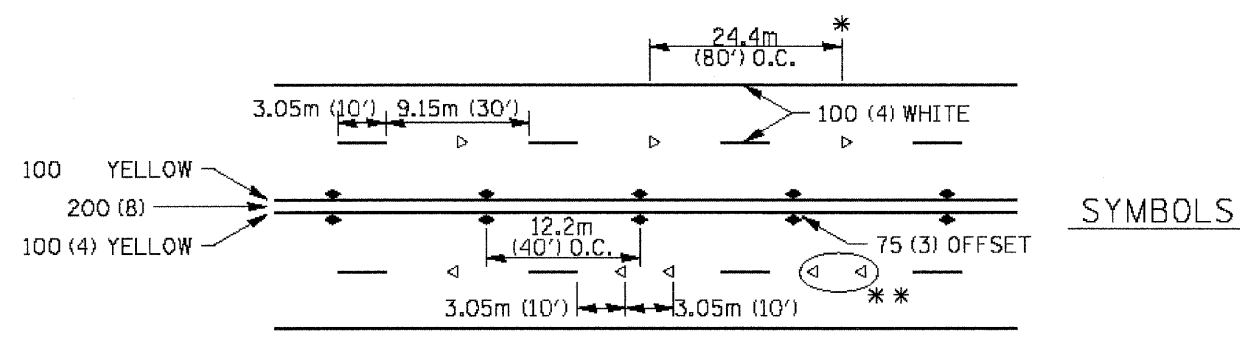


# TYPICAL PAVEMENT MARKINGS



\* SEE HIGHWAY STANDARD 781001 FOR SPACING DETAILS.  
USE DOUBLE MARKERS WHEN ADT ≥ 25,000.

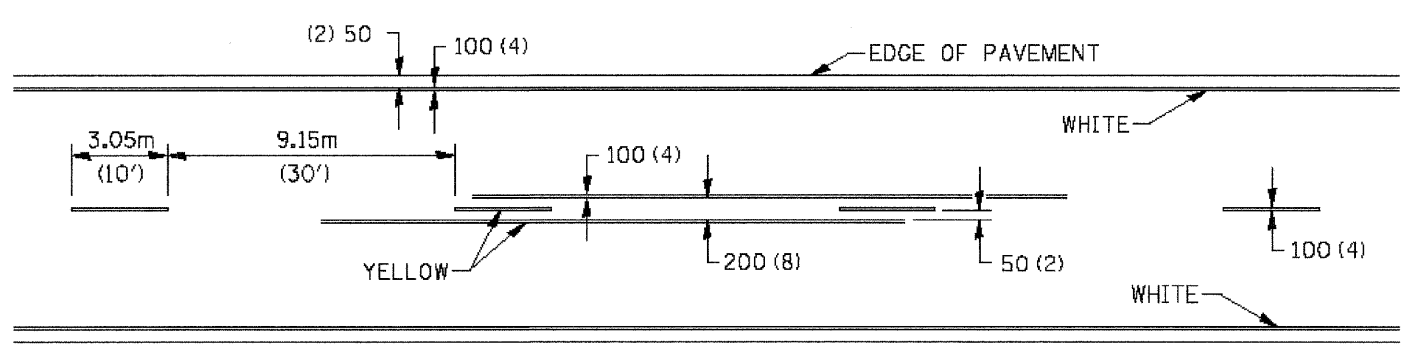
## MULTI-LANE / DIVIDED



\* REDUCE TO 12.2m (40') O.C. ON CURVES WHERE ADVISORY SPEEDS ARE 15Km/H (10MPH) LOWER THAN POSTED SPEEDS.  
\*\* USE DOUBLE MARKERS WHEN ADT ≥ 25,000

## MULTI-LANE / UNDIVIDED

## TYPICAL PAVEMENT MARKING FOR TWO LANE SECTION - NO PASSING ZONES



FILE NAME =	USER NAME = #USER#	DESIGNED -	REVISED - 10-21-08	<b>STATE OF ILLINOIS DEPARTMENT OF TRANSPORTATION</b>	<b>REGION 2 / DISTRICT 2 STANDARD</b>			F.A. RTL	SECTION	COUNTY	TOTAL SHEETS	SHEET NO.
DA\Projects\2008\FullSize.cad		DRAWN -	REVISED -		SCALE:	SHEET NO. OF SHEETS	STA. TO STA.	CONTRACT NO.				
		CHECKED -	REVISED -		FED. ROAD DIST. NO. ILLINOIS FED. AID PROJECT							
		DATE -	REVISED -									