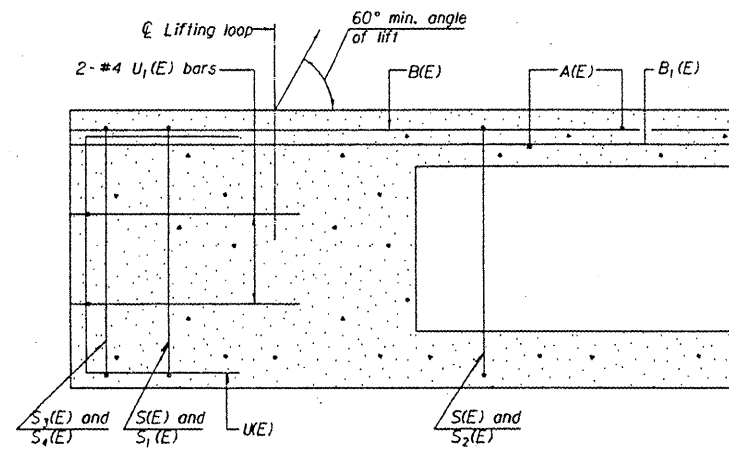
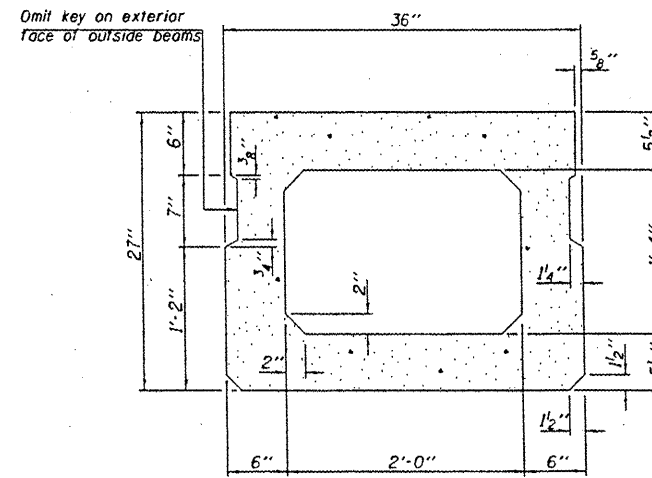


SECTION	COUNTY	TOTAL SHEETS	SHEET NO.
08-00037-02-BR	PEORIA	21	12
FED. ROAD DIST. NO. ILLINOIS		CONTRACT NO. 89372	

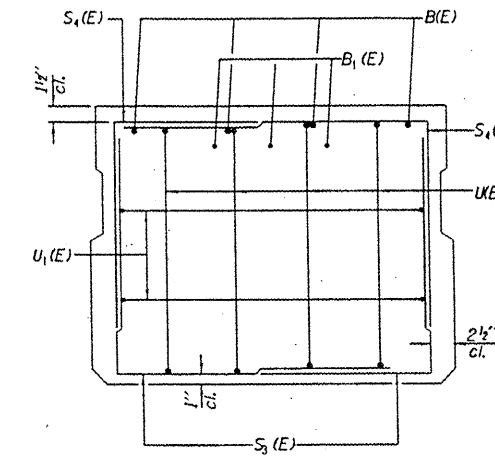
SHEET 3 OF 8



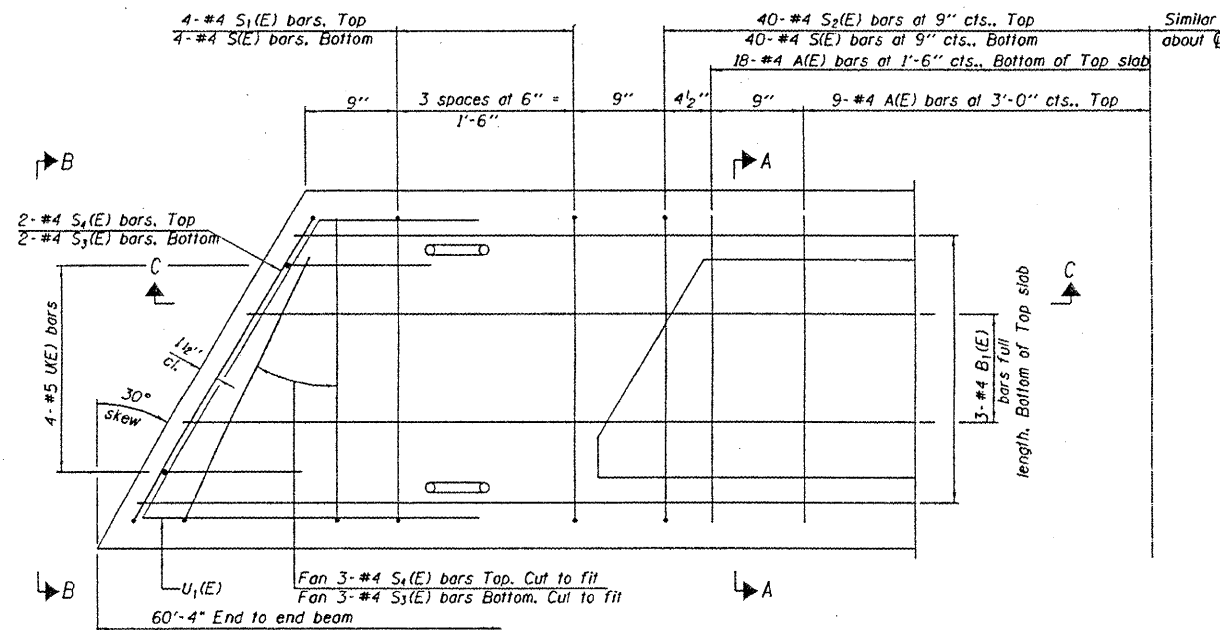
SECTION C-C



SECTION A-A
(Showing dimensions)

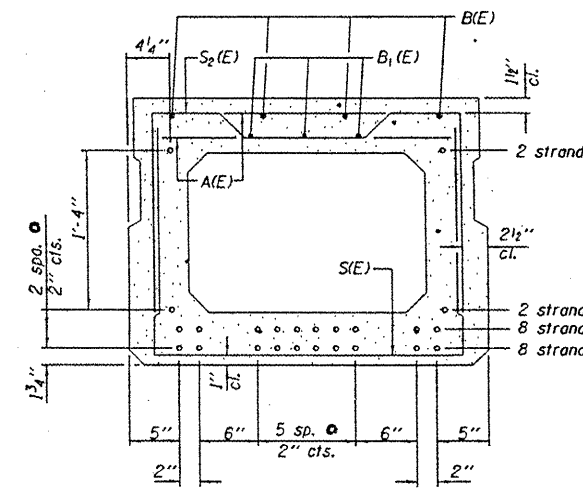


VIEW B-B



PLAN VIEW

Note: Spacing of S(E) and S2(E) bars may be adjusted up to 4" in the immediate area of the transverse tie diaphragms to miss the block outs for the transverse ties.



SECTION A-A
(Showing reinforcement and permissible strand locations)
Note: Place the number of strands specified in each row symmetrically about the centerline of beam in the permissible strand locations shown.

BAR LIST
ONE BEAM ONLY

(For information only)

Bar	No.	Size	Length	Shape
A(E)	98	#4	2'-7"	—
B(E)	4	#5	60'-0"	—
B1(E)	3	#4	60'-0"	—
S(E)	88	#4	6'-5"	U
S1(E)	8	#4	5'-11"	U
S2(E)	80	#4	6'-2"	U
S3(E)	10	#4	4'-1"	U
S4(E)	10	#4	3'-10"	U
U(E)	8	#5	4'-6"	U
U1(E)	4	#4	6'-10"	U

Note: See sheet 4 of 8 for additional details and Bill of Material.

REVISIONS			
NO.	DATE	DESCRIPTION	APPROVED

DESIGNED — AJS
DRAWN — AJS, JLA
CHECKED — FEA
DATE — 06/18/09



27" X 36" PPC DECK BEAM
PEORIA COUNTY HIGHWAY DEPT.
MCCULLOUGH ROAD BRIDGE #072-5704
6915 W. PLANK ROAD
PEORIA, ILLINOIS 61684