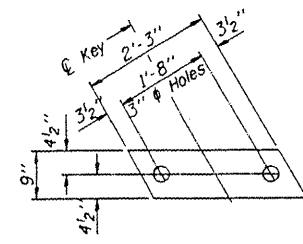
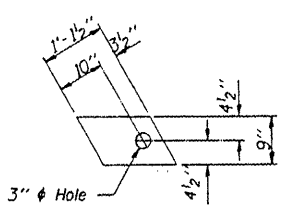


SECTION	COUNTY	TOTAL SHEETS	SHEET NO.
08-00037-02-BR	PEORIA	21	13
FED. ROAD DIST. NO.	ILLINOIS	CONTRACT NO. 89372	

SHEET 4 OF 8



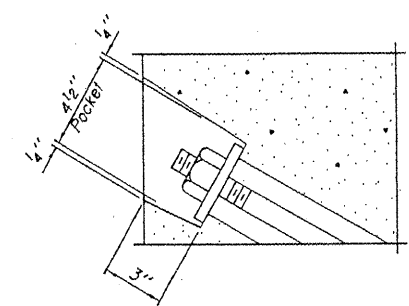
FABRIC BEARING PAD (Interior)



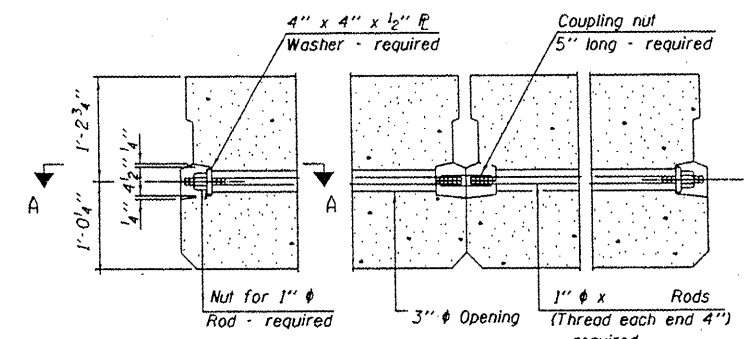
FABRIC BEARING PAD (Exterior)

FIXED

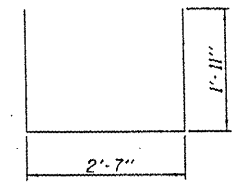
Note: Omit holes when using expansion bearings.



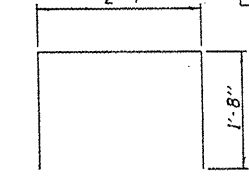
SECTION A-A



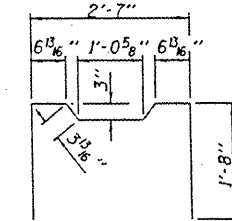
TYPICAL TRANSVERSE TIE ASSEMBLY



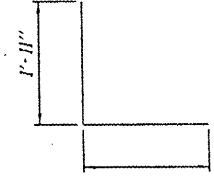
BAR S1(E)



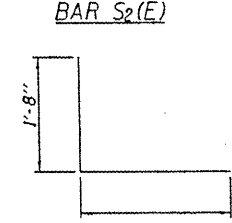
BAR S2(E)



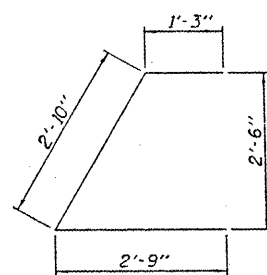
BAR S3(E)



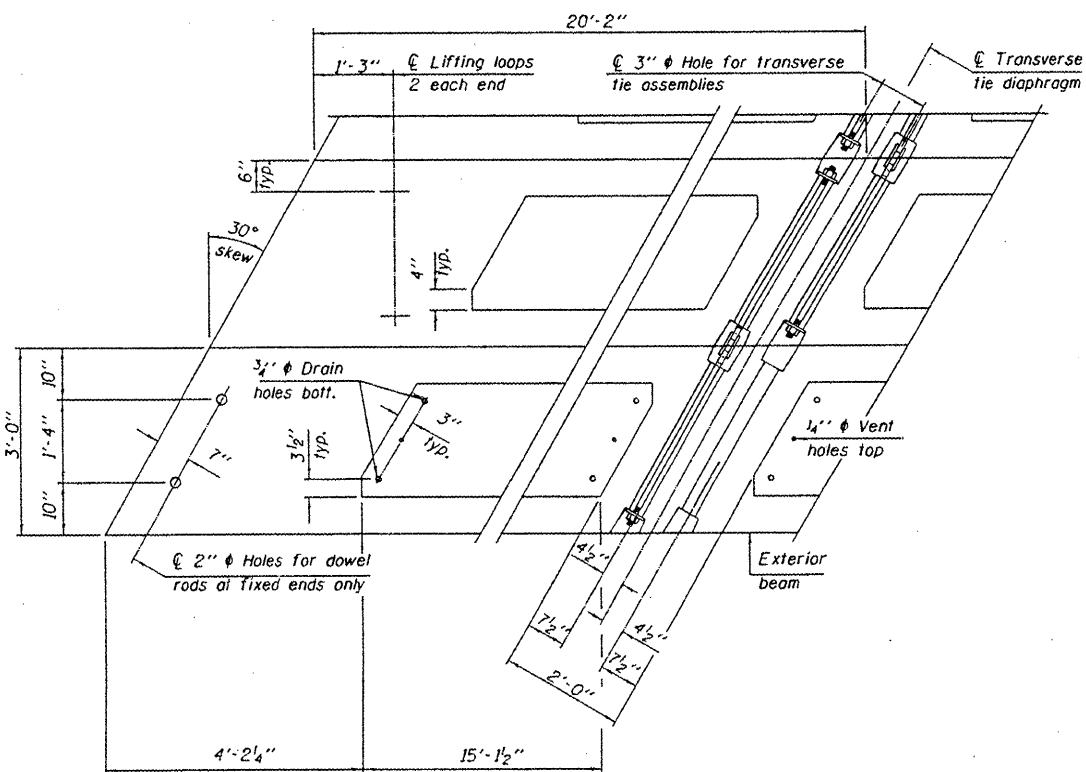
BAR S4(E)



BAR U1(E)



BAR U2(E)

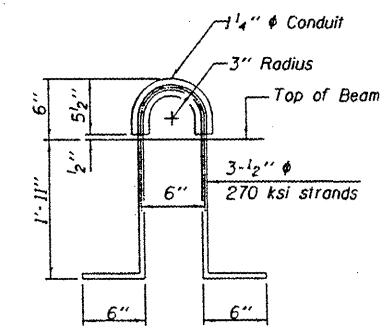


PLAN VIEW

Note: Connect beams in pairs with the transverse tie configuration shown.

NOTES

- Prestressing steel shall be uncoated high strength, low relaxation 7-wire strand, Grade 270. The nominal diameter shall be 1/2" and the nominal cross-sectional area shall be 0.153 sq. in.
- The 1" rods in the transverse tie assembly shall be tightened to a snug fit and the threads set. Pockets on exterior faces of bridge shall be filled with grout after transverse tie assembly is in place.
- Reinforcement bars shall conform to ASTM A 706, Grade 60. (See Special Provisions).
- Two 1/8" fabric adjusting shims of the dimensions of the exterior bearing pad shall be provided for each bearing pad location.
- A minimum 2 1/2" lifting pin shall be used to engage the lifting loops during handling.
- Corrosion Inhibitor, per Article 1020.05(b)(12) and 1021.06 of the Standard Specifications, shall be used in the concrete for precast prestressed concrete deck beams.
- Compressive strength of prestressed concrete, f'c, shall be 6000 psi.
- Compressive strength of prestressed concrete at release, f'ci, shall be 5000 psi.



LIFTING LOOP DETAIL

BILL OF MATERIAL

Precast Prestressed Conc. Deck Bms. (27" depth)	Sq. Ft.	1800
---	---------	------

REVISIONS			
NO.	DATE	DESCRIPTION	APPROVED

DESIGNED	AJS
DRAWN	AJS-JLG
CHECKED	EEA
DATE	06/10/09

MACTEC
ENGINEERING AND CONSULTING, INC.
ILLINOIS PROFESSIONAL DESIGN FIRM PE/SE LICENSE #181-001130

SUPERSTRUCTURE DETAILS
27" X 36" PPC DECK BEAM DETAILS
PEORIA COUNTY HIGHWAY DEPT.
MCCULLOUGH ROAD BRIDGE #072-5704
6915 W. PLANK ROAD
PEORIA, ILLINOIS 61604