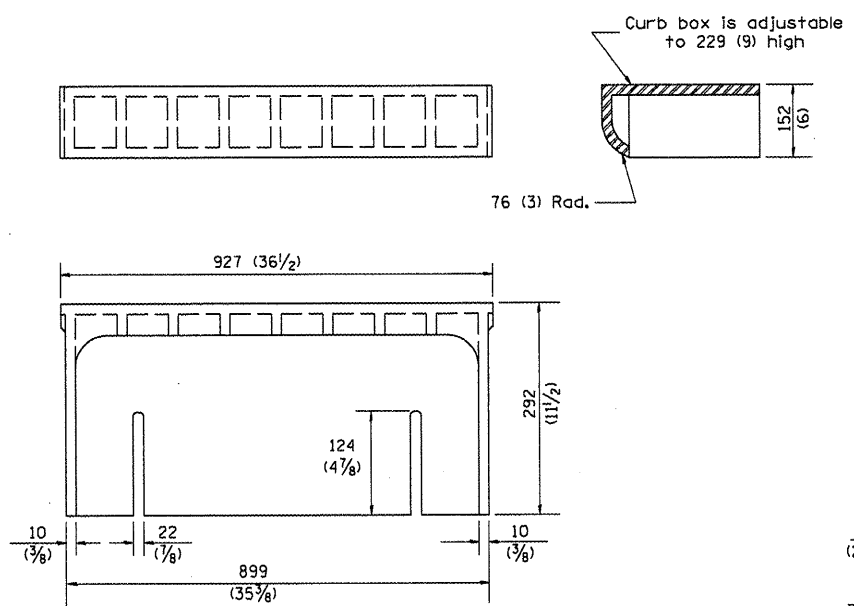
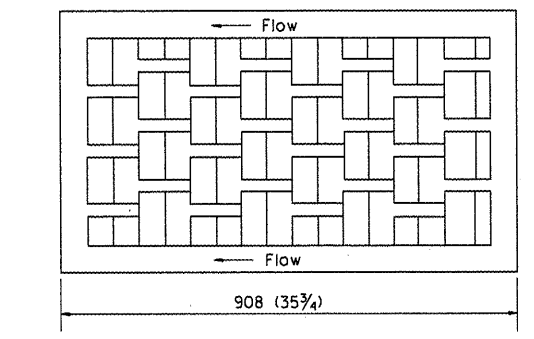


89507

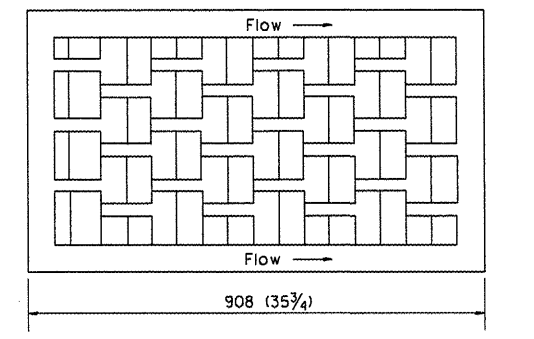
F.A. RTE.	SECTION	COUNTY	TOTAL SHEETS	SHEET NO.
STA.	TO STA.			
FED. ROAD DIST. NO.	ILLINOIS FED. AID PROJECT			



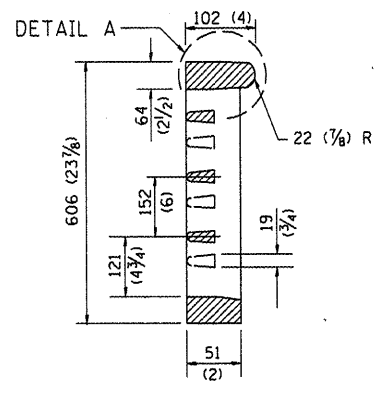
**CAST CURB BOX**  
50 kg (110 lbs.)



**FLOW LEFT**

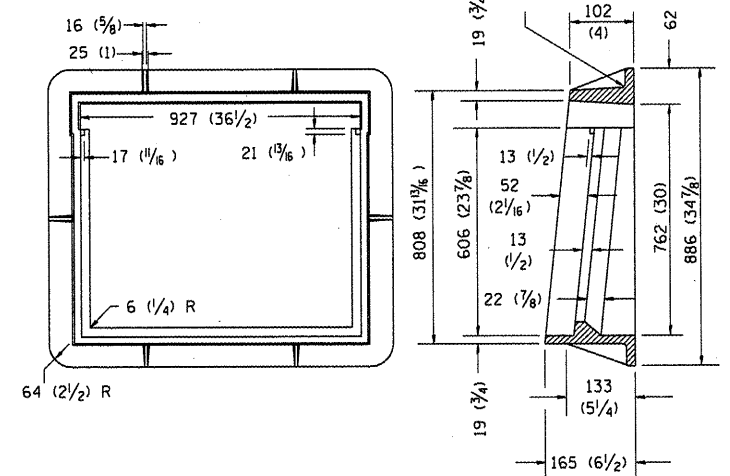


**FLOW RIGHT**

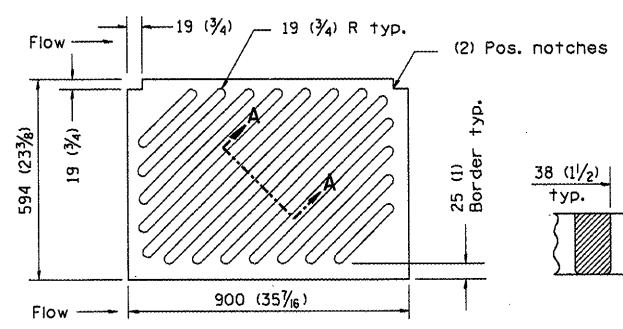


**DETAIL B**

**CAST VANE GRATES**  
(SPECIFY LEFT OR RIGHT FLOW)  
104 KG (230 lbs.)

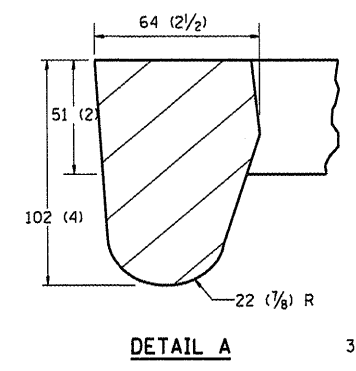


**CAST FRAME**  
123 kg (271 lbs.)

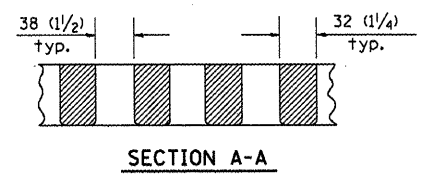


**CAST DIAGONAL GRATE**  
(Reversible for flow)  
98 kg (217 lbs.)

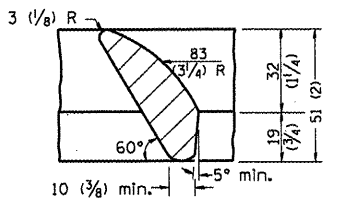
**NOTE: Flow right shown**  
5 (3/8) R typ.  
2° Draft angle



**DETAIL A**



**SECTION A-A**



**DETAIL B**

**GENERAL NOTES**

- The frame and grate shown on this drawing are for use with all TYPE G-1 and TYPE G-1, SPECIAL DRAINAGE STRUCTURES. See plans for grate type and flow direction.
- Flow direction: As viewed from street side.
- Material: cast gray iron.

DATE	REVISIONS	BY
1-1-97	RENUM. B-10.01. NEW REVISION BOX	T.P.

All dimensions are in millimeters (inches) unless otherwise noted.	
ILLINOIS DEPARTMENT OF TRANSPORTATION	
DISTRICT CADD STANDARD	
FRAME AND GRATES FOR	
TYPE G-1 AND TYPE G-1, SPECIAL DRAINAGE STRUCTURES	
CADD STANDARD 604001-D4	
SCALE NOT TO SCALE	DRAWN BY CADD
DATE	CHECKED BY

DESIGNER NOTES:  
 1. Include this standard with all Type G-1 and Type G-1, Special Drainage Structures.  
 2. Specify grate types and flow directions in plans.  
 3. These castings are included in the cost of the drainage structures as per District Special Provision.  
 4. This drawing is based upon "NEENAH" designs as follows:  
 Inlet Frame: R-3246-A, Curb Box: R-3290  
 Reversible Diagonal Grate: R-3246-A  
 Vane Grates: R-3246-AL (flow left), R-3246-AR (flow right)