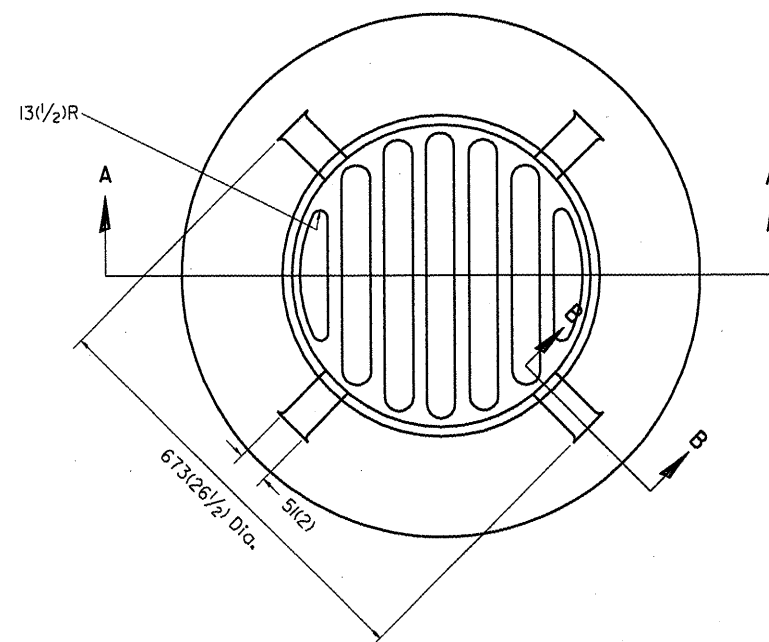
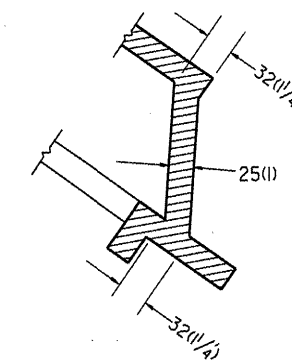


89507

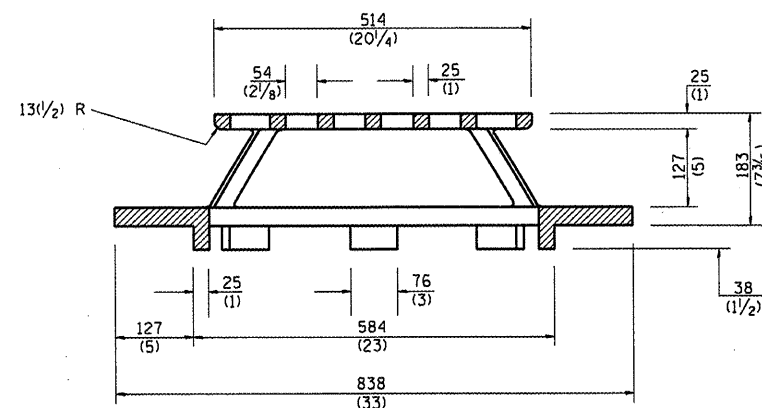
F.A.2	SECTION	COUNTY	TOTAL SHEETS	SHEET NO.
RTE.				
STA.		TO STA.		
FED. ROAD DIST. NO.	ILLINOIS FED. AID PROJECT			



PLAN



SECTION B - B



SECTION A - A

GENERAL NOTES

- MATERIAL - Cast Gray Iron  
Weight 95 kg (209 lbs)

DESIGNER NOTE:  
1. INCLUDE DISTRICT SPECIAL PROVISION.

All dimensions are in millimeters (inches) unless otherwise noted.

ILLINOIS DEPARTMENT OF TRANSPORTATION  
DISTRICT CADD STANDARD

DATE	REVISIONS	BY
1-1-97	RENUM. B-10.02, NEW REVISION BOX	T.P.

TYPE 37 GRATE

CADD STANDARD 604301-D4  
SCALE NOT TO SCALE  
DATE

DRAWN BY CADD  
CHECKED BY

26 of 33

604301-D4