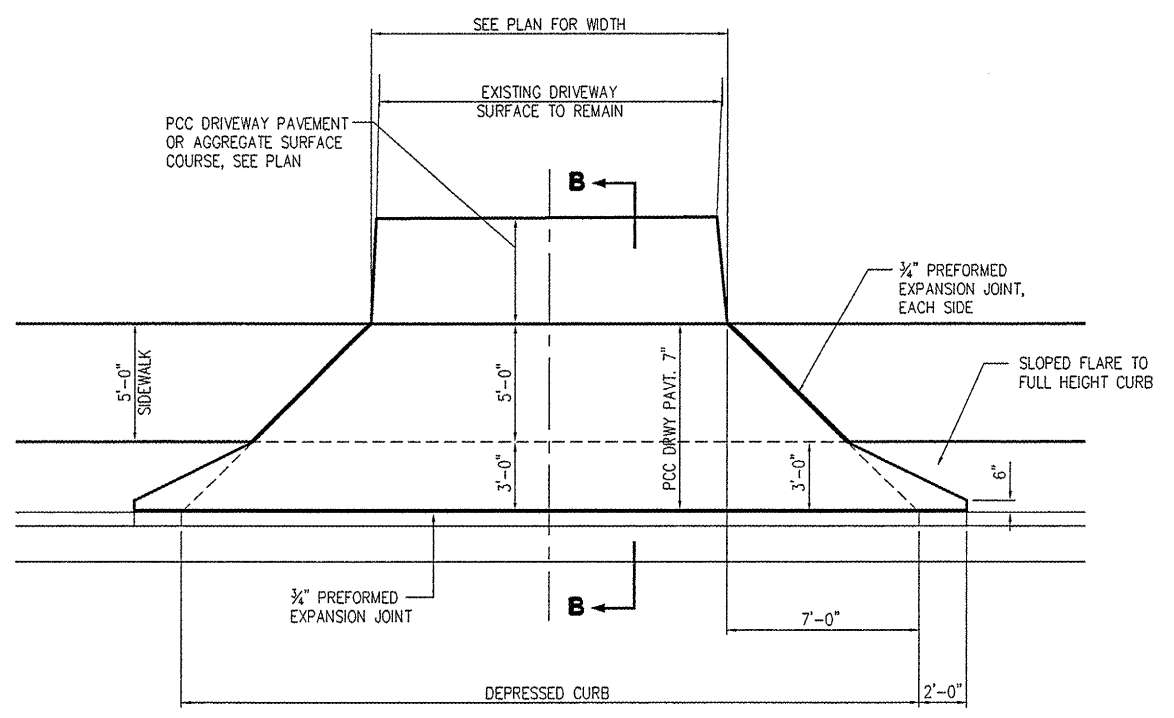


W:\PROJECTS\DRAWINGS\MACOMB\WARD ST\PHASE 2\WARD-ST-PH2-TYPSEC.dwg, DETAIL SI, 6/30/2009 10:33:58 AM

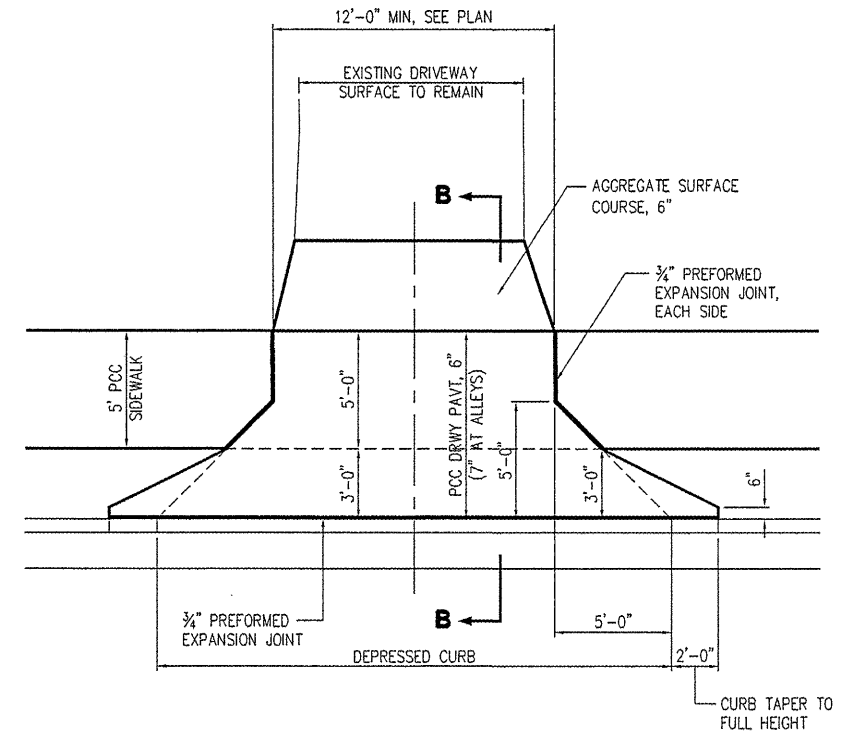
CITY OF MACOMB-WARD STREET	
SEC. 09-00139-01-PV	F.A.U. 6919
PROJ. ARA-5040 (010)	
CONTRACT No. 89527	SHT 21 OF 32

SHEET NO.
21
of **32**

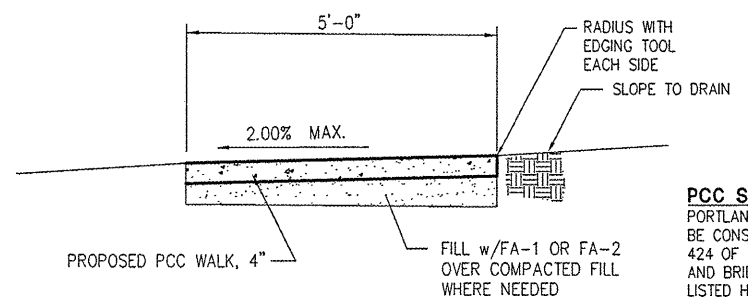
McClure
Engineering Associates, Inc.
Macomb, Illinois 61455
714 East Jackson Street
[309] 833-4934 FAX [309] 837-4909
Design firm License #000016 Copyright 2009 by McClure Engineering Associates, Inc.



COMMERCIAL ENTRANCE PLAN

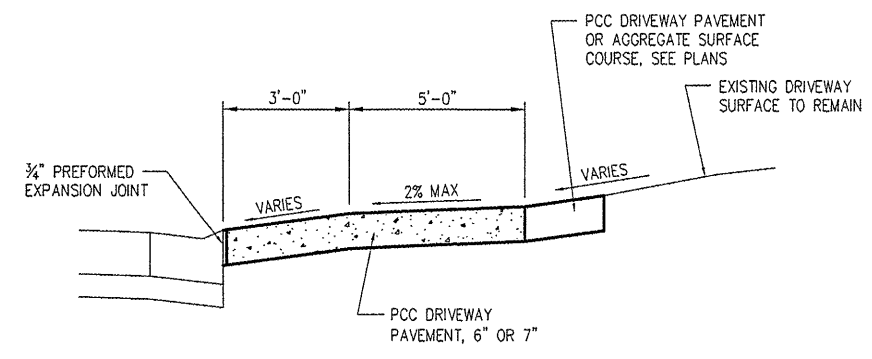


PRIVATE ENTRANCE PLAN
INCLUDES ALLEYS AT STA. 334+55



PC CONCRETE SIDEWALK
TYPICAL SECTION
NOT TO SCALE

PCC SIDEWALK NOTES:
PORTLAND CEMENT CONCRETE SIDEWALK SHALL BE CONSTRUCTED IN ACCORDANCE WITH SECTION 424 OF THE STANDARD SPECIFICATIONS FOR ROAD AND BRIDGE CONSTRUCTION AND THE NOTES LISTED HERE.



SECTION B-B

PLOTTING SCALE: 1" = 1'

DRAWN BY:	TAB
CHECKED BY:	JAR
DATE:	MARCH 2009

NO.	REVISIONS	DATE

WARD STREET IMPROVEMENTS - PHASE 2
TYPICAL CONSTRUCTION DETAILS
CITY OF MACOMB
SOUTH WARD, ST.
FILE NAME: \MACOMB\WARD\ST\PHASE 2\WARD-ST-PH2-TYPSEC.DWG FIELD BOOK No: 2257 JOB NUMBER: 03-28-08098
MACOMB, ILLINOIS
JOB NUMBER: 03-28-08098