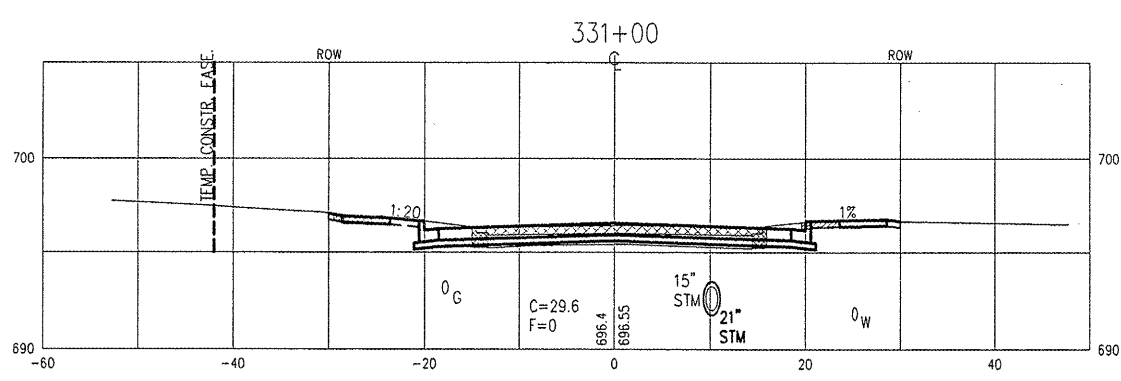
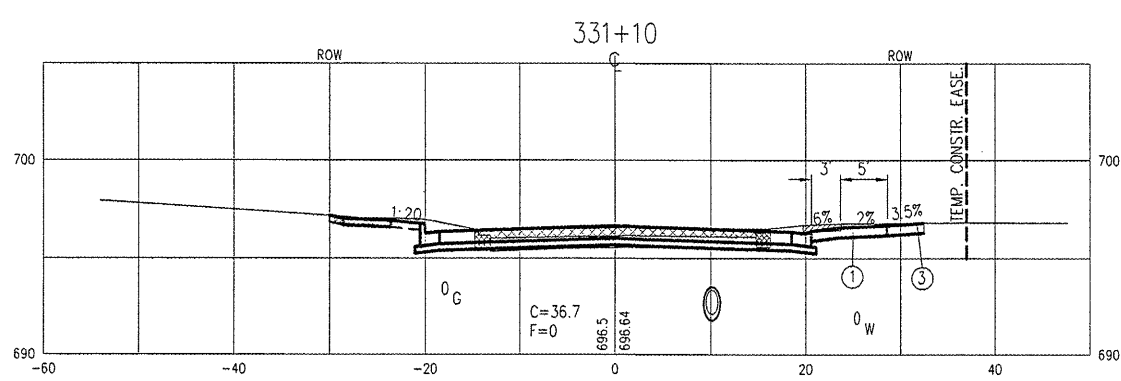
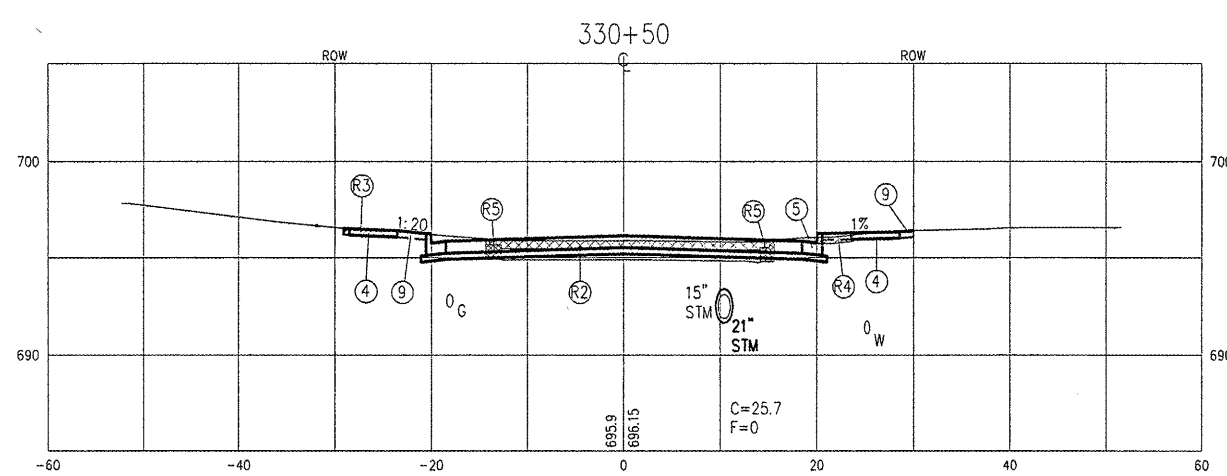
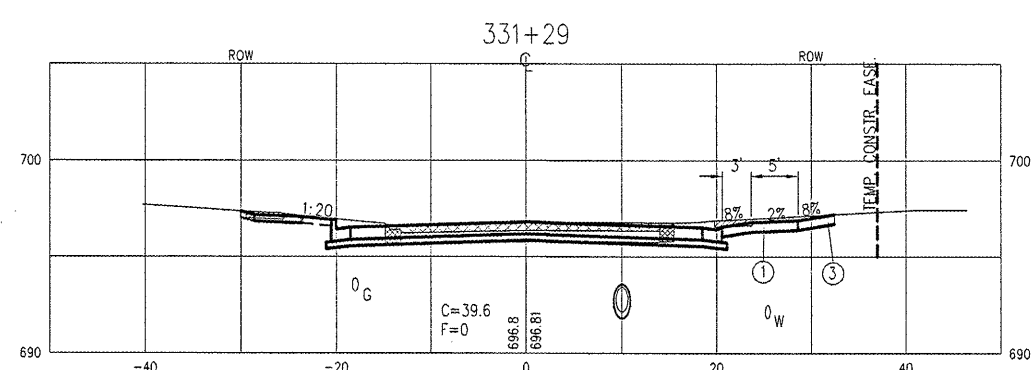
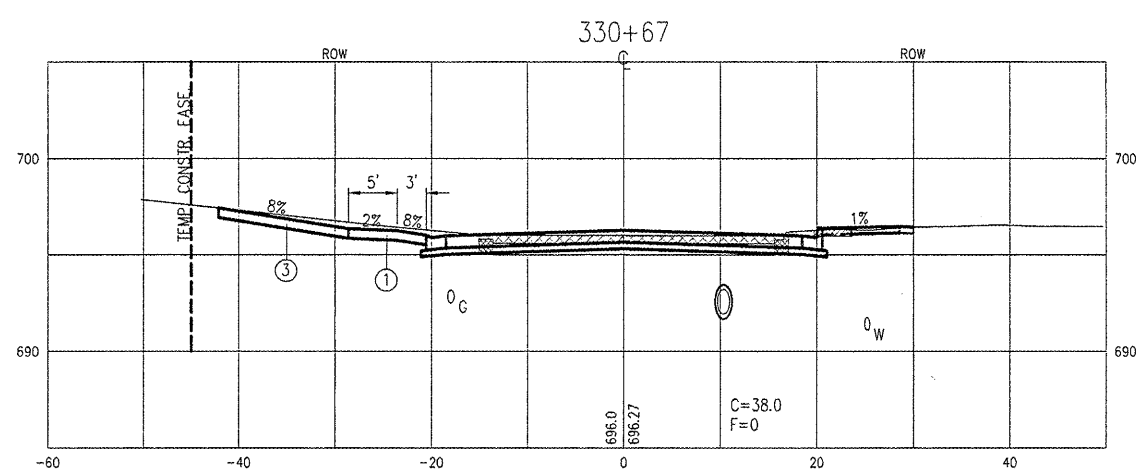
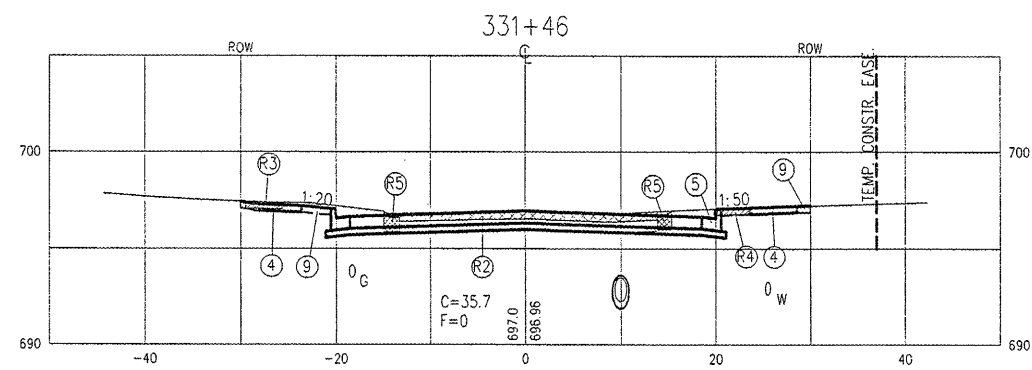
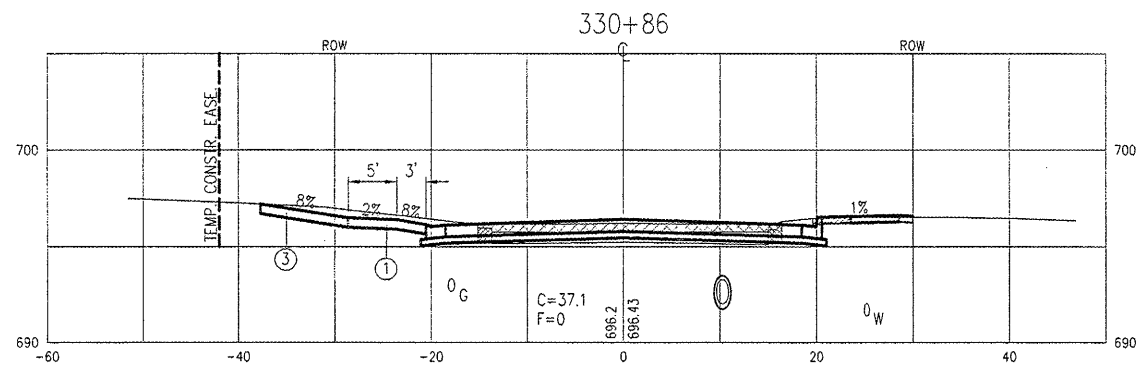


McClure
 Engineering Associates, Inc.
 Macomb, Illinois 61455
 714 East Jackson Street
 (309) 533-4394
 Design Firm License #184-000816 Copyright 2009 by McClure Engineering Associates, Inc.

PLOTTING SCALE: 1" = 10'
 DRAWN BY: TAB
 CHECKED BY: JAR
 DATE: MARCH 2009

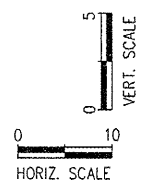
NO.	REVISIONS	ITEM	DATE

WARD STREET IMPROVEMENTS - PHASE 2
CROSS SECTIONS - STA. 330+50 TO 331+46
 CITY OF MACOMB
 SOUTH WARD ST.
 FILE NAME: \\MACOMB\WARD\PHASE 2\WARD-ST-PR2-A-SEC.DWG FIELD BOOK No. 2257 JOB NUMBER: 03-28-09099
 MACOMB, ILLINOIS



LEGEND

- | | | |
|--|---|------------------------------|
| ① PCC DRIVEWAY PAVEMENT, 6" | ④A PCC SIDEWALK 5" | Ⓡ1 DRIVEWAY PAVEMENT REMOVAL |
| ② PCC DRIVEWAY PAVEMENT, 7" | ⑤ COMB. CONC. CURB & GUTTER, TYPE B6.18 | Ⓡ2 PAVEMENT REMOVAL |
| ③ AGGREGATE SURFACE COURSE, TYPE A, 6" | ⑧ AGGREGATE SURFACE COURSE, TYPE A, 8" | Ⓡ3 BRICK SIDEWALK REMOVAL |
| ④ PCC SIDEWALK, 4" | ⑨ TOPSOIL PLACEMENT, 4" | Ⓡ4 CONCRETE SIDEWALK REMOVAL |
| | | Ⓡ5 CURB AND GUTTER REMOVAL |



V:\PROJECT\PROJECTS\DRAWINGS\MACOMB\WARD ST\PHASE 2\WARD-ST-PH2-XSEC2.dwg, 3/25/2009 9:59:35 AM