

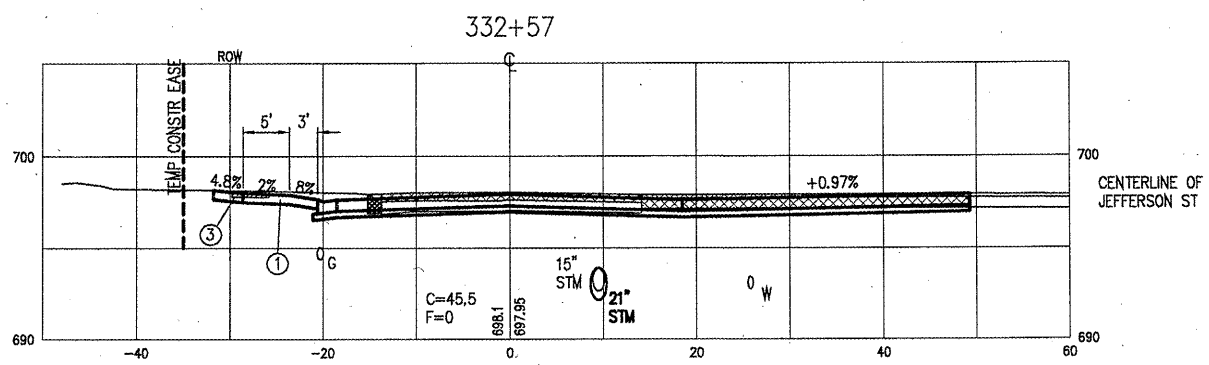
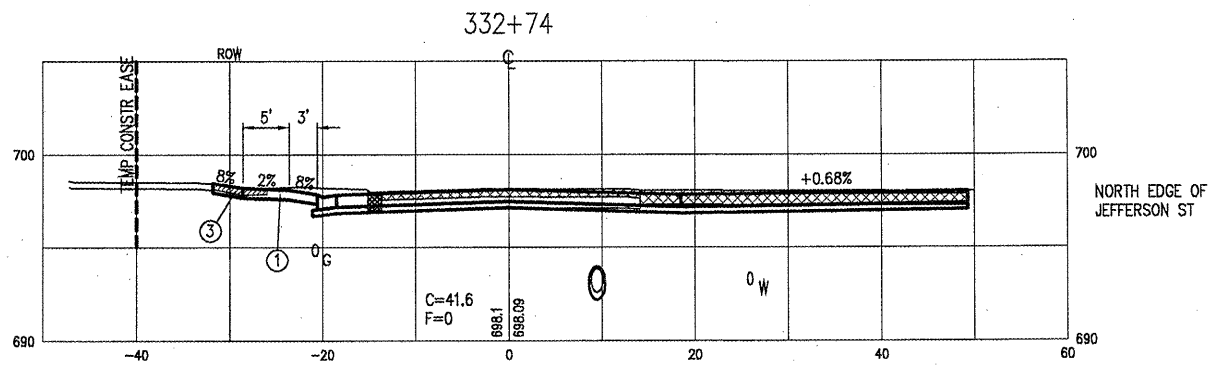
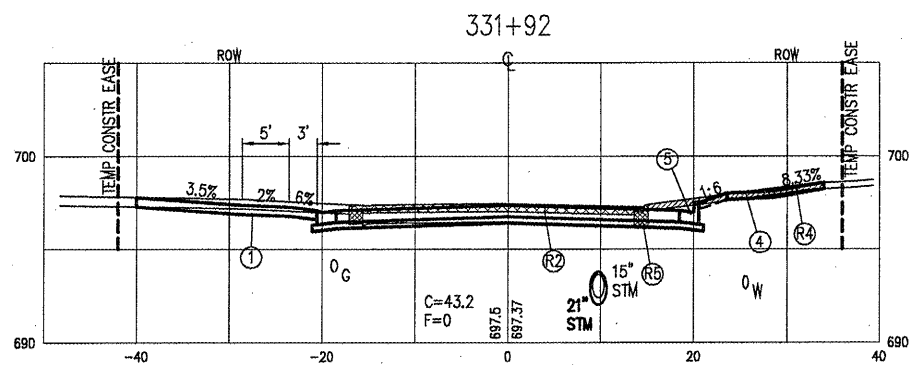
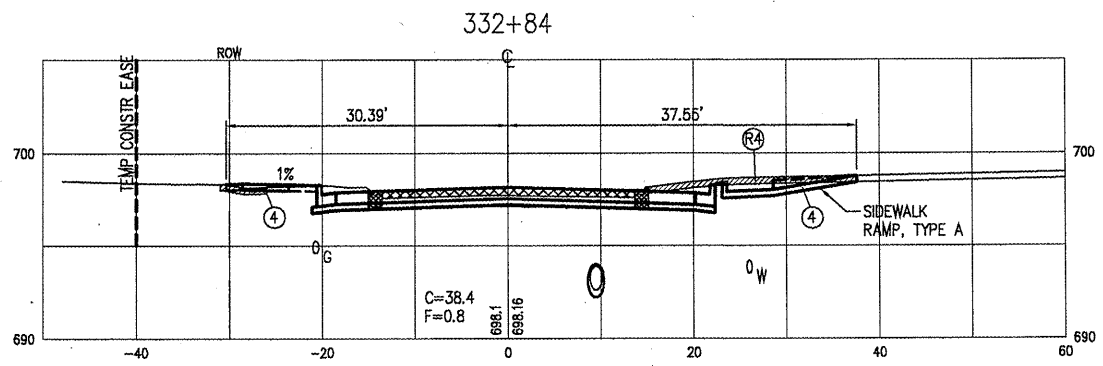
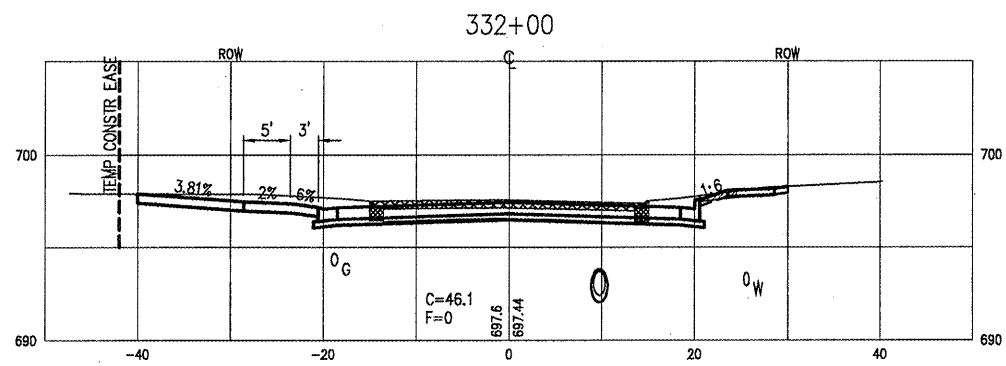
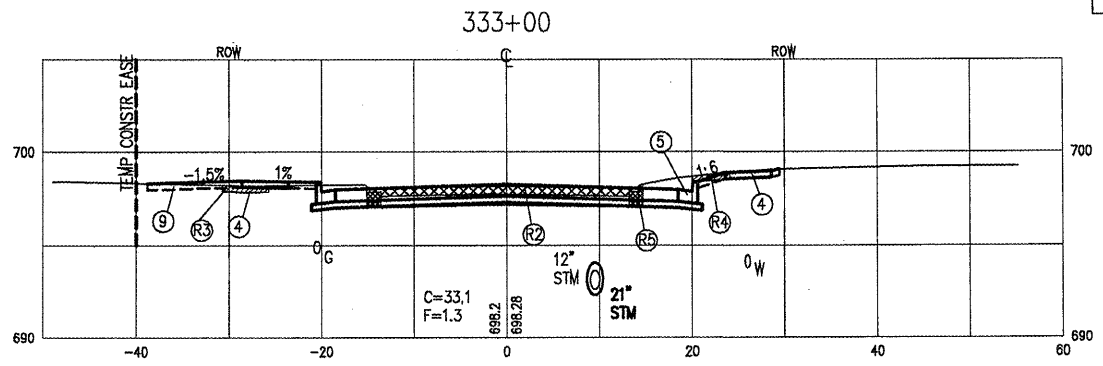
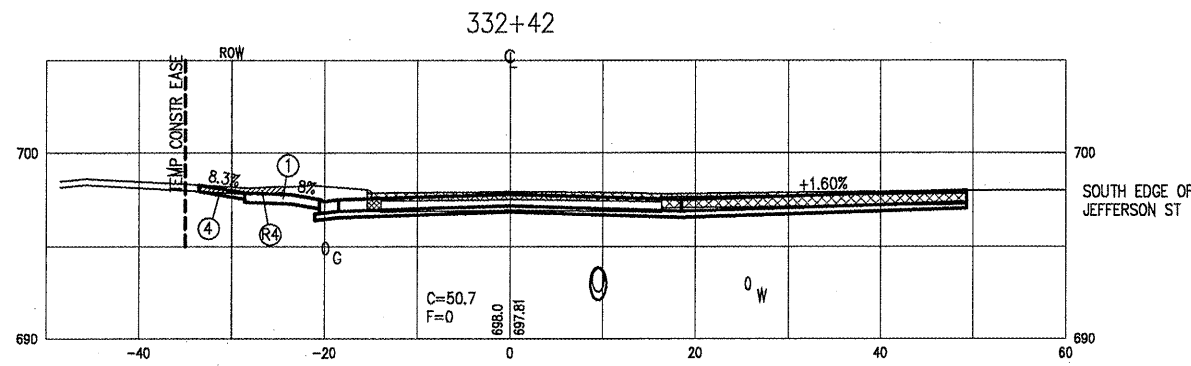


PLOTTING SCALE: 1" = 10'

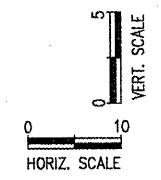
DRAWN BY:	TAB
CHECKED BY:	JAR
DATE:	MARCH 2009

NO.	REVISIONS	DATE
1	REV DRY ST. 331+92	7/27/08

WARD STREET IMPROVEMENTS - PHASE 2
CROSS SECTIONS - STA. 330+50 TO 331+46
 CITY OF MACOMB
 SOUTH WARD ST.
 FILE NAME: \\macomb\k8057\phase 2\1000-ST-PA2-K-SEC096
 FIELD BOOK No. 2267 JOB NUMBER: 03-28-09098
 MACOMB, ILLINOIS



- LEGEND**
- | | | |
|--|---|------------------------------|
| ① PCC DRIVEWAY PAVEMENT, 6" | ④A PCC SIDEWALK 5" | Ⓡ1 DRIVEWAY PAVEMENT REMOVAL |
| ② PCC DRIVEWAY PAVEMENT, 7" | ⑤ COMB. CONC. CURB & GUTTER, TYPE B6.18 | Ⓡ2 PAVEMENT REMOVAL |
| ③ AGGREGATE SURFACE COURSE, TYPE A, 6" | ⑥ AGGREGATE SURFACE COURSE, TYPE A, 8" | Ⓡ3 BRICK SIDEWALK REMOVAL |
| ④ PCC SIDEWALK, 4" | ⑦ TOPSOIL PLACEMENT, 4" | Ⓡ4 CONCRETE SIDEWALK REMOVAL |
| | | Ⓡ5 CURB AND GUTTER REMOVAL |



W:\PROJECTS\DRAWINGS\MACOMB\WARD ST\PHASE 2\WARD-ST-PH2-XSEC2.DWG, XS-1-4, 7/27/2009 2:27:39 PM