

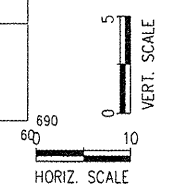
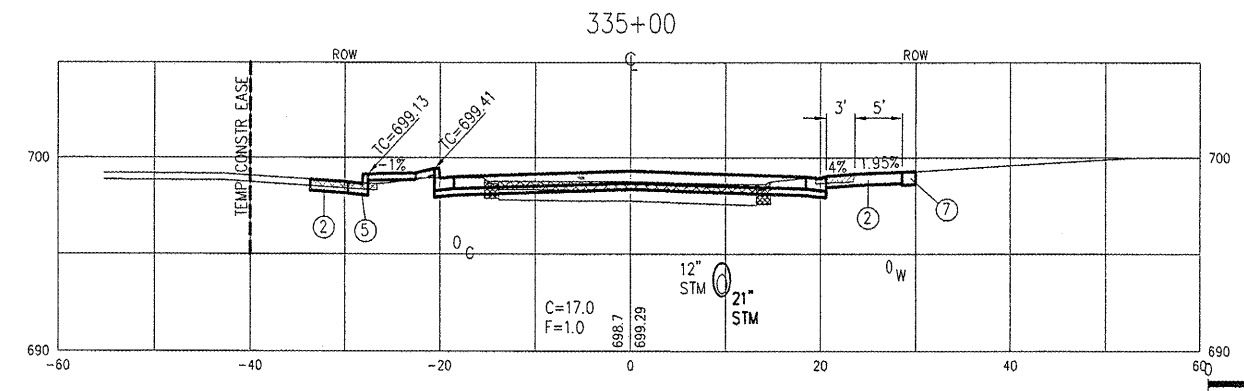
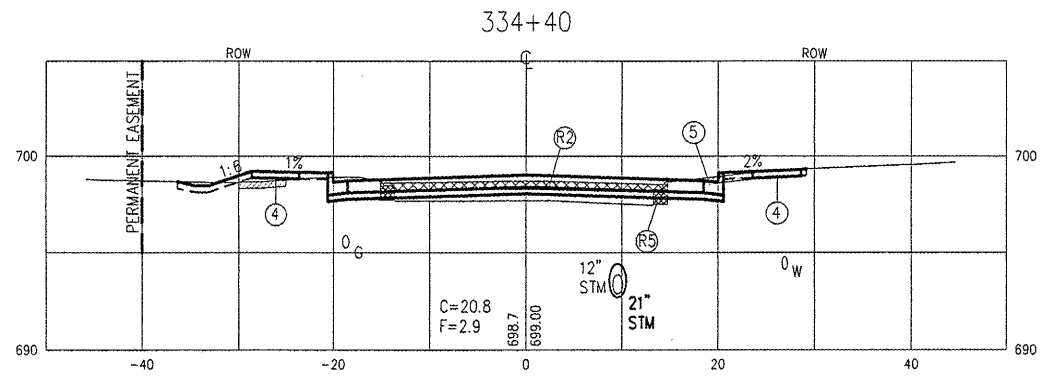
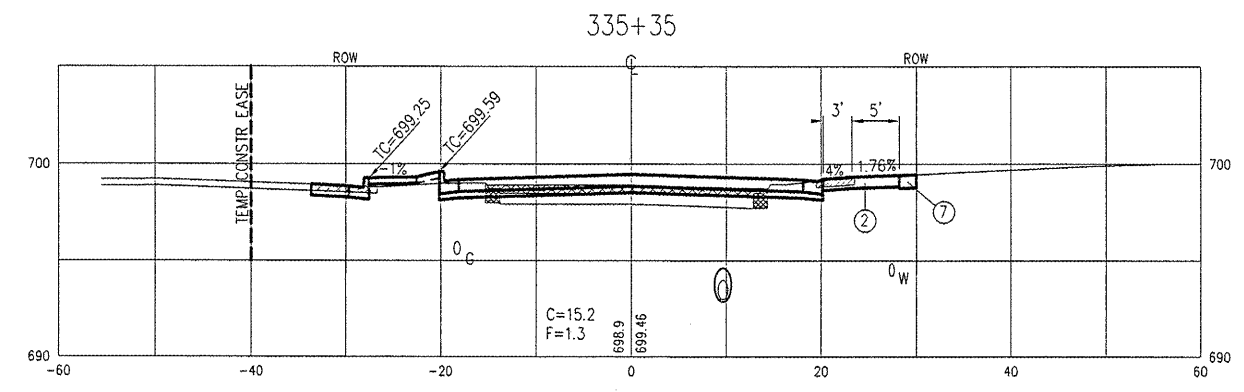
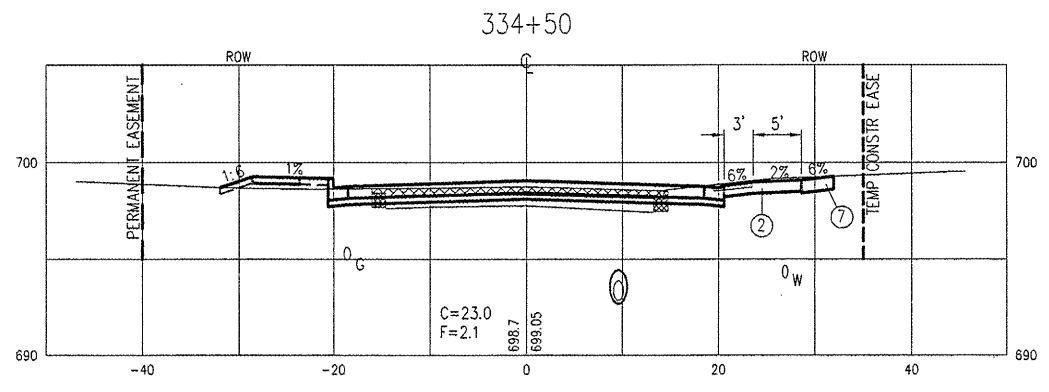
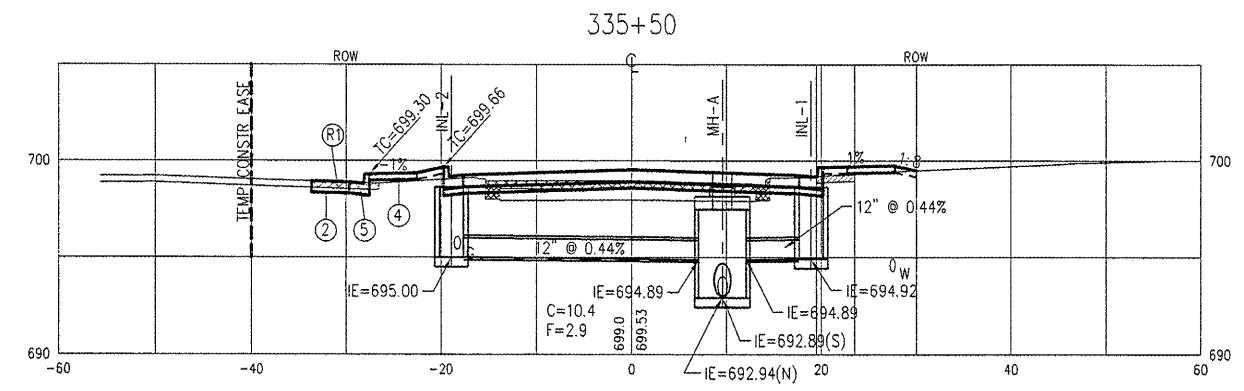
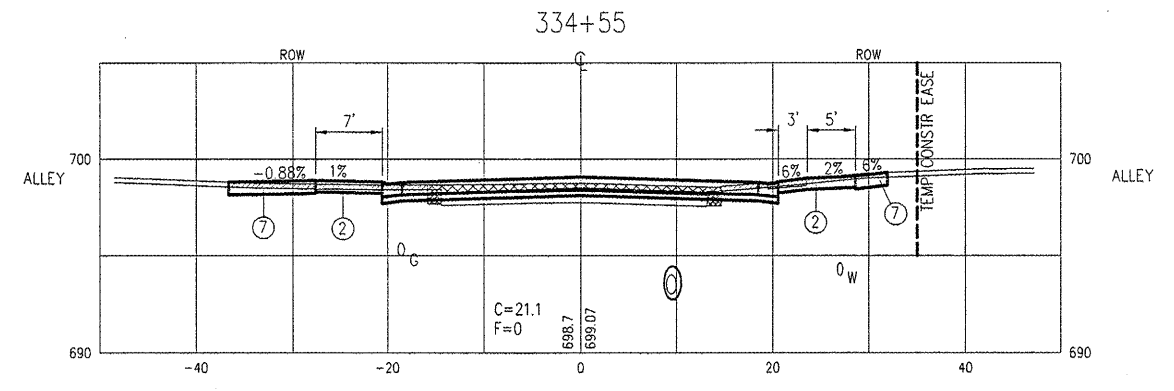
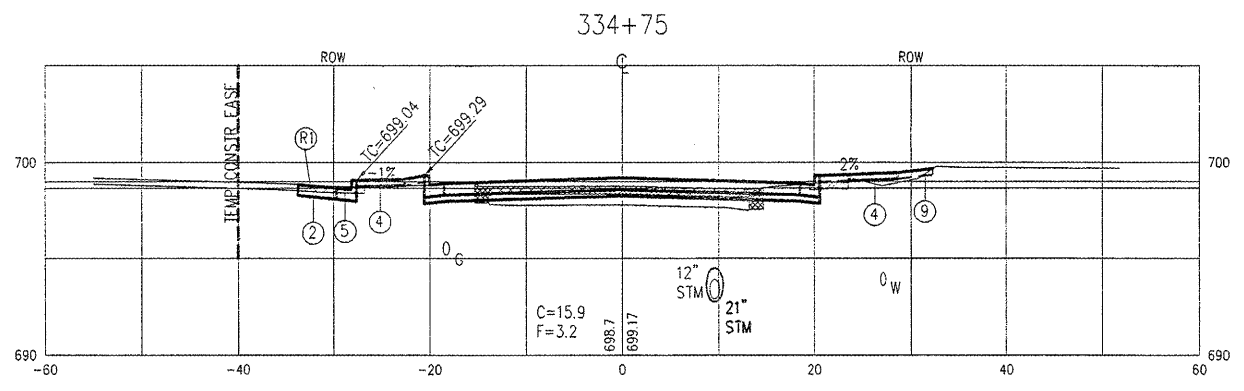


PLOTTING SCALE: 1" = 10'
 DRAWN BY: JAR
 CHECKED BY: JAR
 DATE: MARCH 2009

NO.	REVISIONS	ITEM	DATE

WARD STREET IMPROVEMENTS - PHASE 2
CROSS SECTIONS - STA. 334+40 TO 335+50
 CITY OF MACOMB
 SOUTH WARD ST.
 FILE NAME: MACOMB\WARD\ST\PHASE 2\WARD-ST-PH2-X-SEC.DWG FIELD BOOK No. 2257 JOB NUMBER: 01-28-0909

- LEGEND**
- ① PCC DRIVEWAY PAVEMENT, 6"
 - ② PCC DRIVEWAY PAVEMENT, 7"
 - ③ AGGREGATE SURFACE COURSE, TYPE A, 6"
 - ④ PCC SIDEWALK, 4"
 - ④A PCC SIDEWALK 5"
 - ⑤ COMB. CONC. CURB & GUTTER, TYPE B6.18
 - ⑧ AGGREGATE SURFACE COURSE, TYPE A, 8"
 - ⑨ TOPSOIL PLACEMENT, 4"
 - Ⓡ1 DRIVEWAY PAVEMENT REMOVAL
 - Ⓡ2 PAVEMENT REMOVAL
 - Ⓡ3 BRICK SIDEWALK REMOVAL
 - Ⓡ4 CONCRETE SIDEWALK REMOVAL
 - Ⓡ5 CURB AND GUTTER REMOVAL



V:\PROJECT\PROJECTS\DRAWINGS\MACOMB\WARD ST\PHASE 2\WARD-ST-PH2-X-SEC2.dwg, 3/25/2009 10:02:08 AM