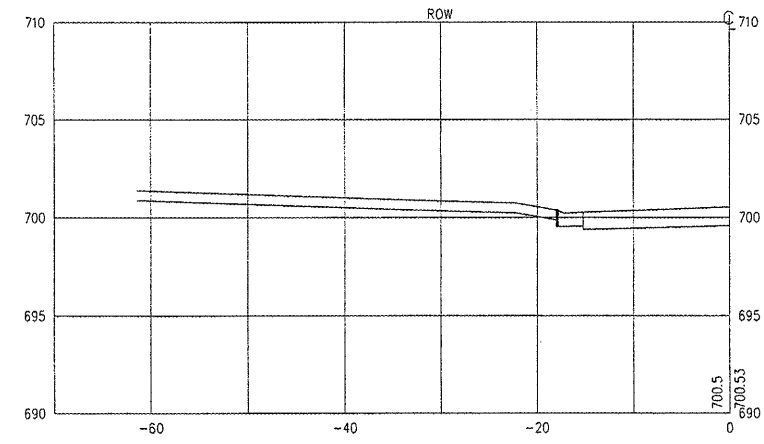


PLOTTING SCALE: 1" = 10'
DRAWN BY: TAB
CHECKED BY: JAR
DATE: MARCH 2009

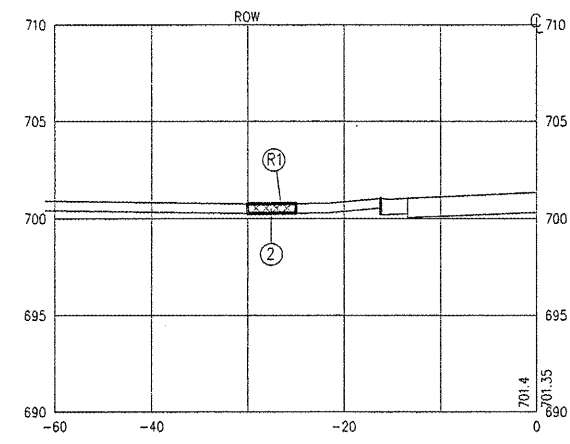
NO.	REVISIONS	DATE

WARD STREET IMPROVEMENTS - PHASE 2
CROSS SECTIONS - STA. 337+25 TO 338+15
CITY OF MACOMB
SOUTH WARD ST.
FILE NAME: \\MACOMB\PROJECTS\PHASE 2\WARD-ST-PH2-J-SEC2C
FIELD BOOK No. 2257
JOB NUMBER: 03-28-0098
MACOMB, ILLINOIS

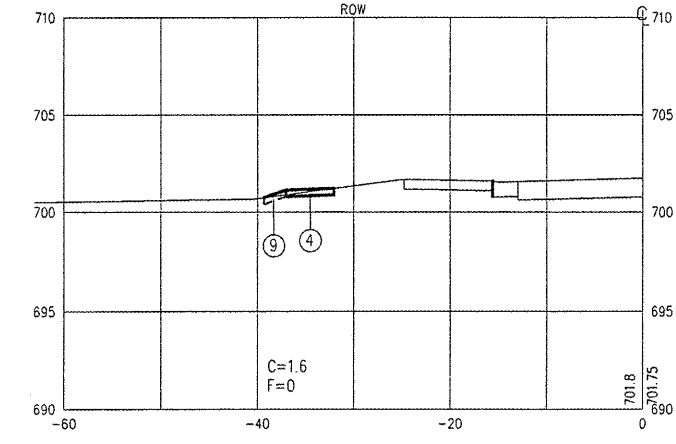
337+83



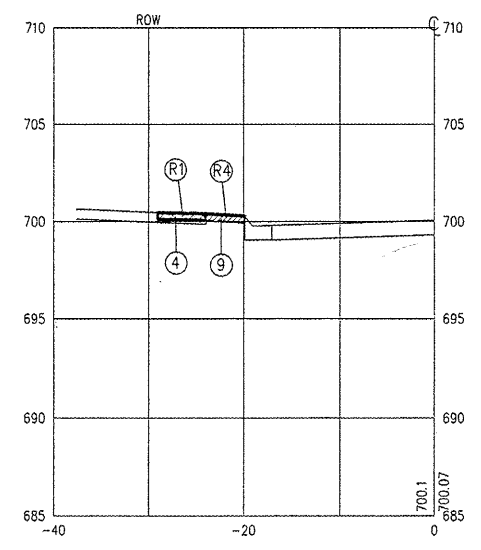
337+50



337+25



338+15



LEGEND

- | | | |
|--|---|--------------------------------|
| (1) PCC DRIVEWAY PAVEMENT, 6" | (4A) PCC SIDEWALK 5" | (R1) DRIVEWAY PAVEMENT REMOVAL |
| (2) PCC DRIVEWAY PAVEMENT, 7" | (5) COMB. CONC. CURB & GUTTER, TYPE B6.18 | (R2) PAVEMENT REMOVAL |
| (3) AGGREGATE SURFACE COURSE, TYPE A, 6" | (8) AGGREGATE SURFACE COURSE, TYPE A, 8" | (R3) BRICK SIDEWALK REMOVAL |
| (4) PCC SIDEWALK, 4" | (9) TOPSOIL PLACEMENT, 4" | (R4) CONCRETE SIDEWALK REMOVAL |
| | | (R5) CURB AND GUTTER REMOVAL |

