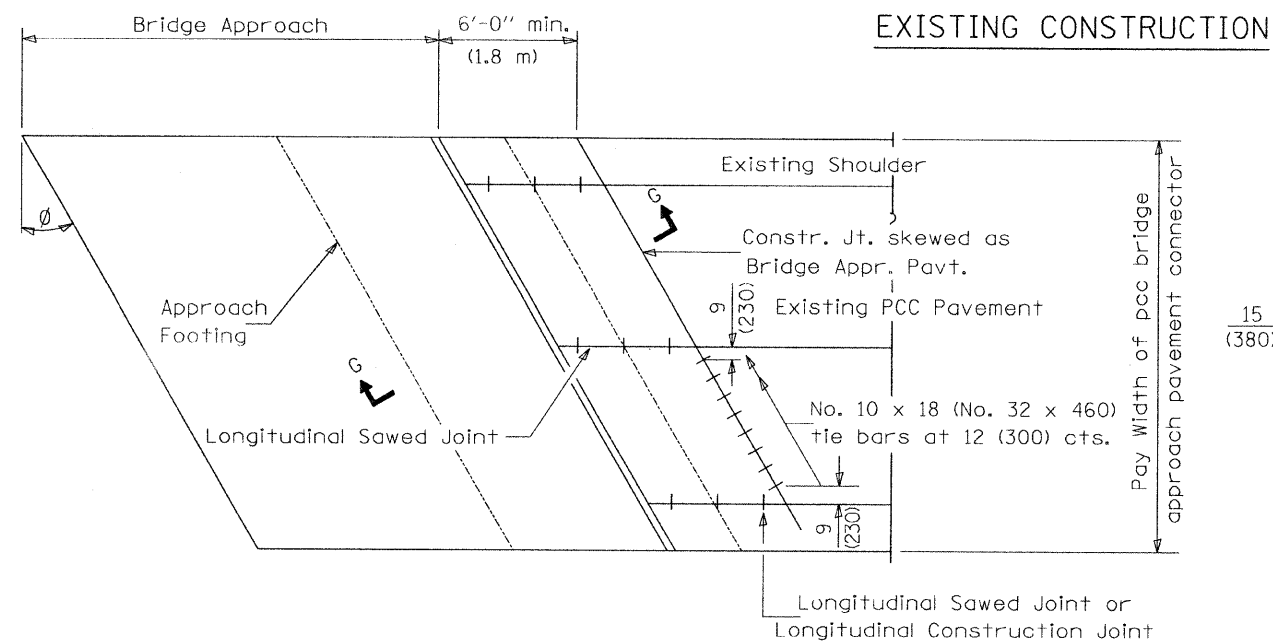
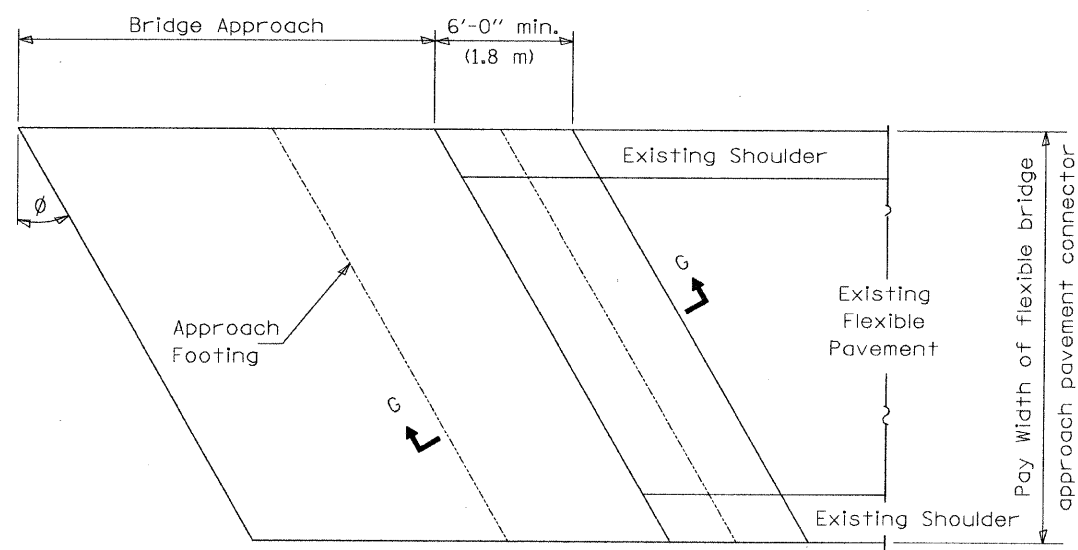


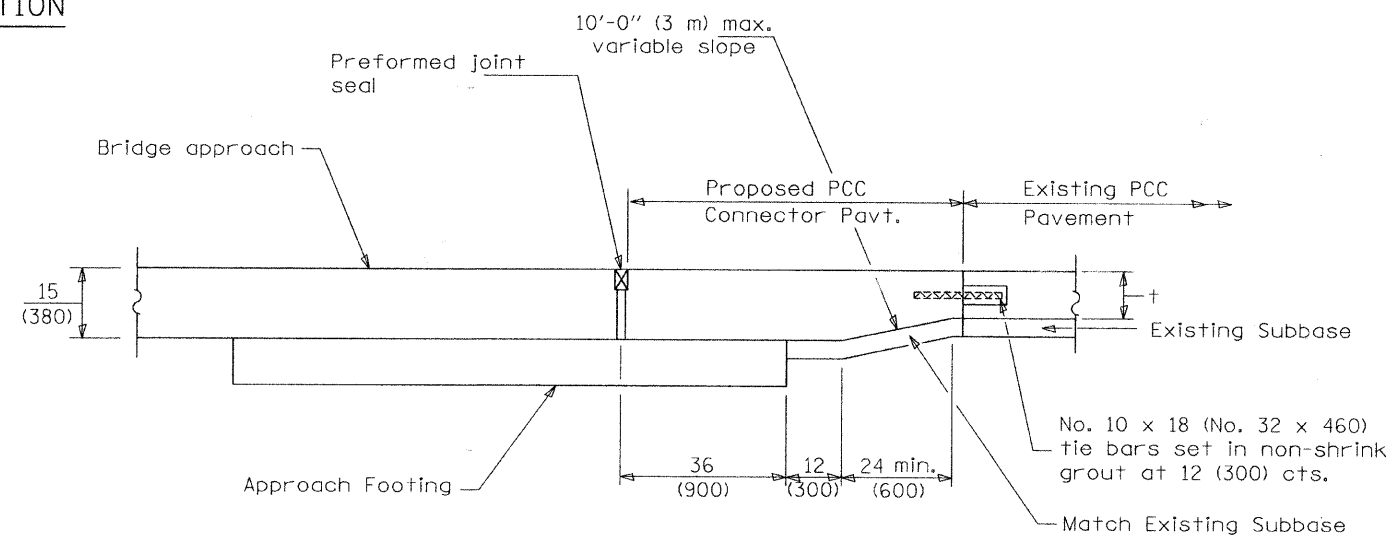
ROUTE NO.	SECTION	COUNTY	TOTAL SHEETS	SHEET NO.
N. LINCOLN AVE.	07-25932-00-BR	CHAMPAIGN	50	31
STA.	TO STA.			
F.I.L.W.A. REG.	ILLINOIS PROJECT			



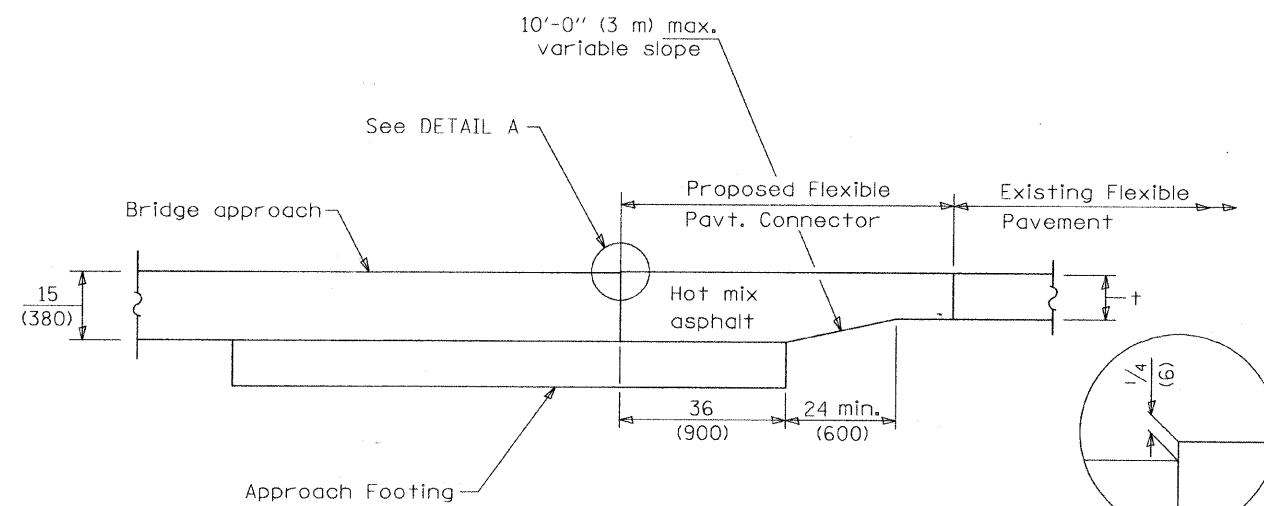
BRIDGE APPROACH PAVEMENT CONNECTOR (PCC)



BRIDGE APPROACH PAVEMENT CONNECTOR (FLEXIBLE)



SECTION G-G - RIGID PAVEMENT



SECTION G-G - FLEXIBLE PAVEMENT

DETAIL A

BRIDGE APPROACH PAVEMENT CONNECTOR  
(Sheet 2 of 2)

SECTION: 07-25932-00-BR  
CHAMPAIGN COUNTY  
Q STATION 10+00