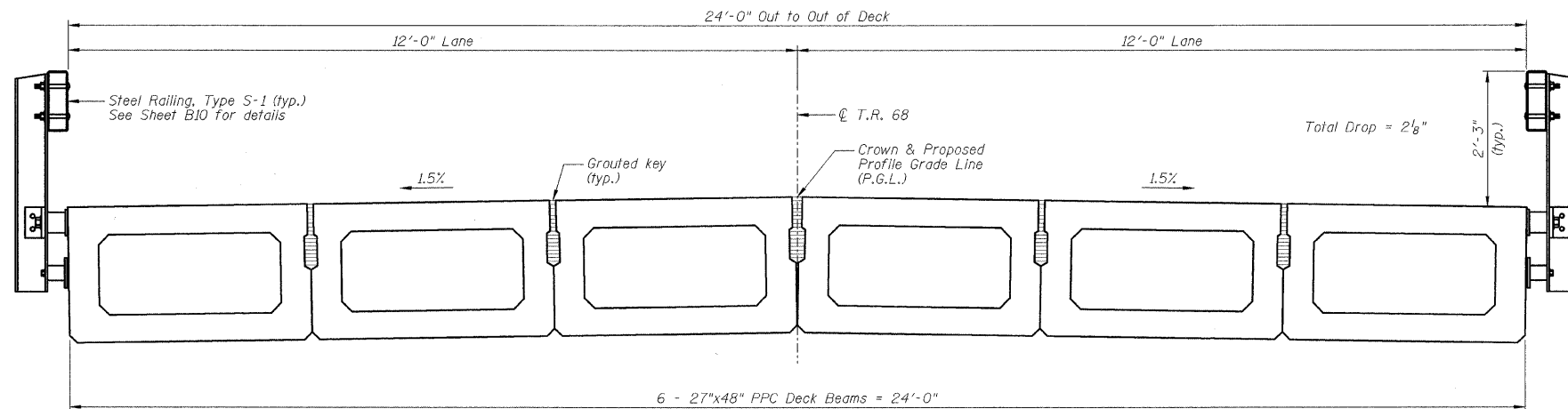
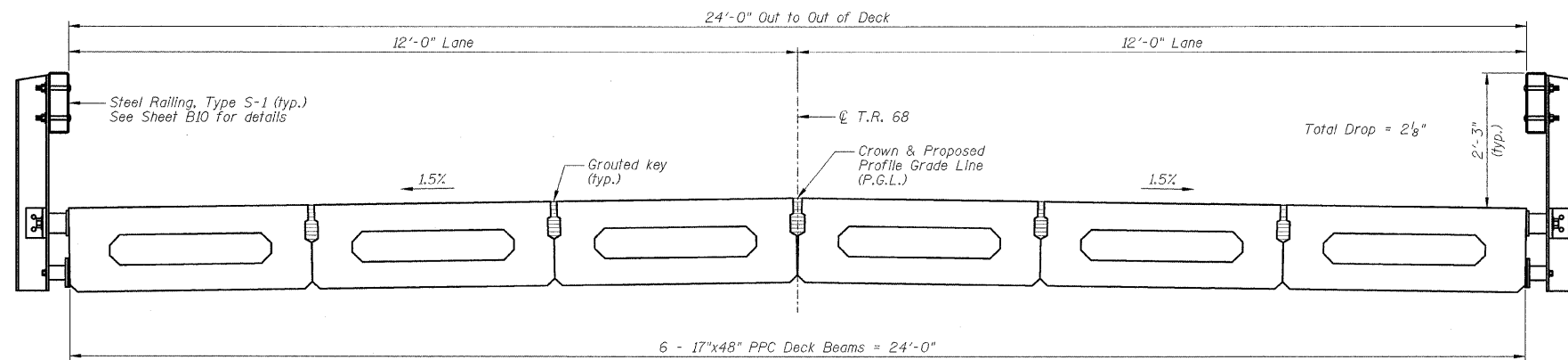


CROSS SECTION - SPAN #1



CROSS SECTION - SPAN #2



CROSS SECTION - SPAN #3

DESIGNED - JML	REVISED -
DRAWN - DJM	REVISED -
CHECKED - MSW	REVISED -
DATE - 06/22/09	REVISED -

EFFINGHAM COUNTY DEPARTMENT OF HIGHWAYS		SUPERSTRUCTURE CROSS SECTIONS	
SCALE:	SHEET NO. 9 OF 25 SHEETS	STA.	TO STA.

T.R. 68 OVER FULFER CREEK	
SECTION 05-07106-00-BR	
EFFINGHAM COUNTY	
STATION 9+96.25 STRUCTURE NO. 025-3318	

T.R.	SECTION	COUNTY	TOTAL SHEETS	SHEET NO.
68	05-07106-00-BR	EFFINGHAM	25	9
				CONTRACT NO. 95593
<small>FED. ROAD DIST. NO. 7 ILLINOIS FED. AID PROJECT</small>				