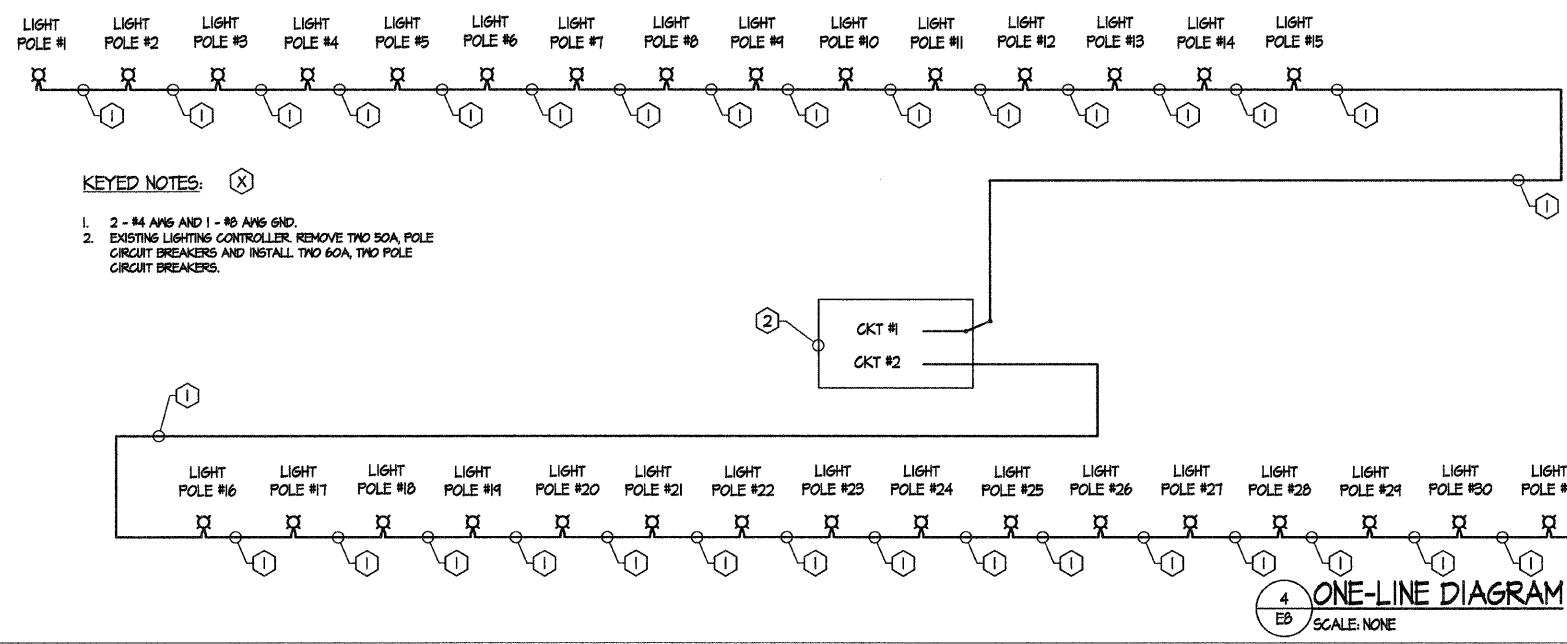
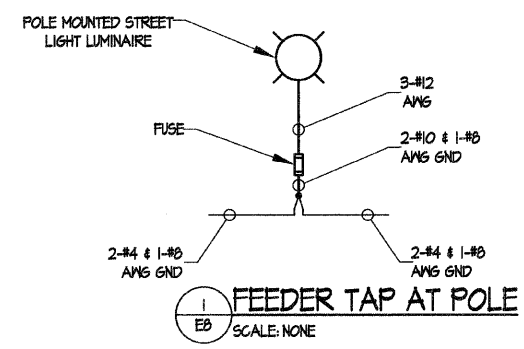
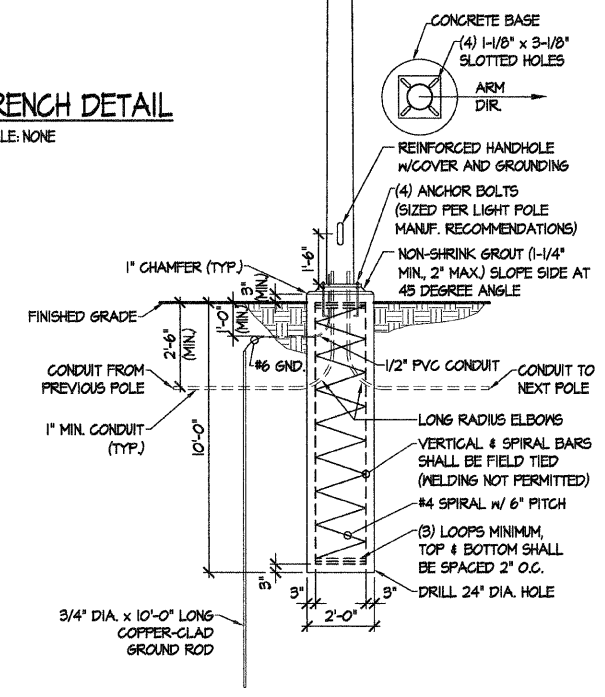
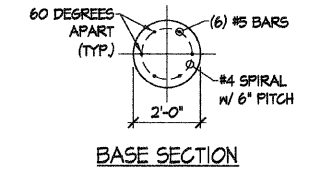
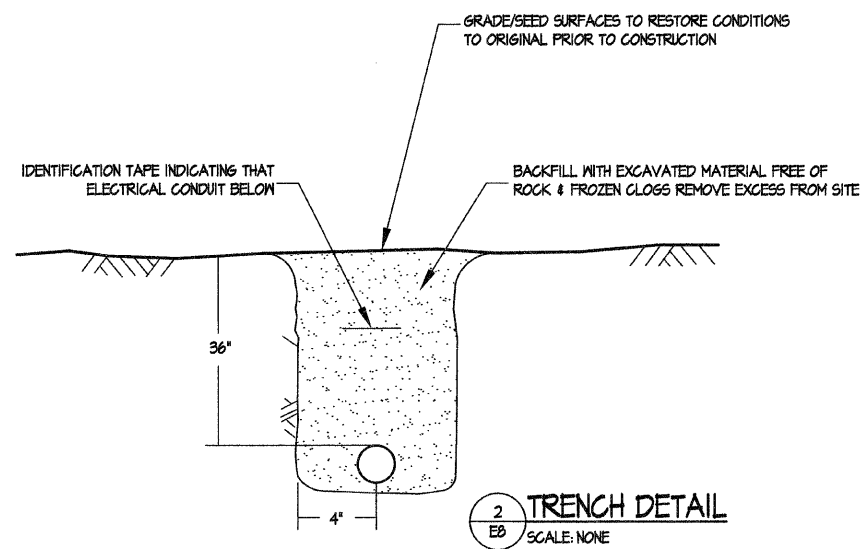
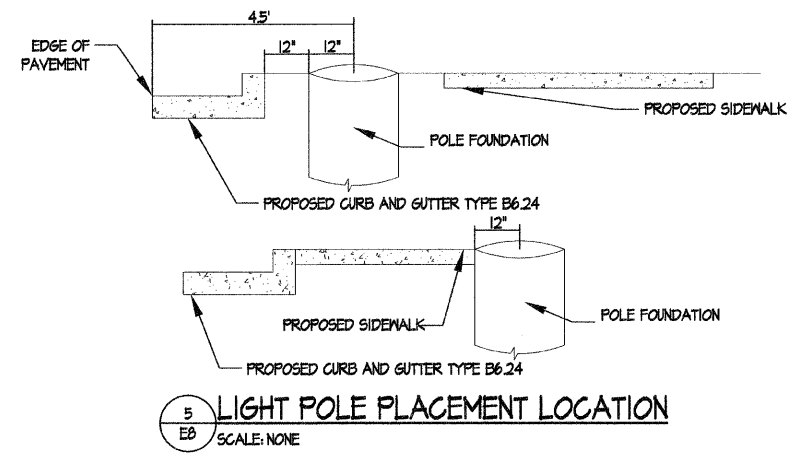




Conduit, Cable and Trench Backfill						
From Pole No.	To Pole No.	Conduit		Electric Cable in Conduit 600V (XLP-)		Trench and Backfill for Electrical Work (Foot)
		Trenched 1 1/4" Dia., PVC (Foot)	Pushed 1 1/4" Dia., PVC (Foot)	1/c No. 8 (Foot)	1/c No. 4 (Foot)	
1	2	97		107	214	97
2	3	81		91	182	81
3	4	125		135	270	125
4	5	102		112	224	102
5	6	89		99	198	89
6	7	30	100	140	280	30
7	8	101		111	222	101
8	9	55	85	150	300	55
9	10	81		91	182	81
10	11	89		99	198	89
11	12	101		111	222	101
12	13	101		111	222	101
13	14	101		111	222	101
14	15	102		112	224	102
15	Controller	17		27	54	17
Controller	16	20	105	135	270	20
16	17	117		127	254	117
17	18	104		114	228	104
18	19	111		121	242	111
19	20	110		120	240	110
20	21	96		106	212	96
21	22	93		103	206	93
22	23	97		107	214	97
23	24	93		103	206	93
24	25	100		110	220	100
25	26	96		106	212	96
26	27	93		103	206	93
27	28	103		113	226	103
28	29	105		115	230	105
29	30	81		91	182	81
30	31	53		63	126	53
31	32	218		228	456	218
32	33	82		92	184	82
33	34	79		89	178	79
34		81		91	182	81
35	36	103		113	226	103
Totals		3307	290	3957	7914	3307

Light Pole Foundation and Relocation			
Pole No.	Station	Relocate Existing Light Pole (Each)	Light Pole Foundation (Each)
1	10+77	1	1
2	11+74	1	1
3	12+55	1	1
4	13+80	1	1
5	14+82	1	1
6	15+71	1	1
7	17+04	1	1
8	18+05	1	1
9	19+35	1	1
10	20+16	1	1
11	21+05	1	1
12	22+06	1	1
13	23+07	1	1
14	24+08	1	1
15	25+10	1	1
16	25+71	1	1
17	26+88	1	1
18	27+92	1	1
19	29+03	1	1
20	30+13	1	1
21	31+09	1	1
22	32+02	1	1
23	32+99	1	1
24	33+92	1	1
25	34+92	1	1
26	35+88	1	1
27	36+81	1	1
28	37+84	1	1
29	38+89	1	1
30	39+70	1	1
31	40+23	1	1
32	42+41	1	1
33	43+23	1	1
34	44+02	1	1
35	44+83	1	1
36	45+86	1	1
Totals		36	36

Light Pole Foundation Removal	
Station	Each
10+77	1
11+69	1
12+64	1
13+80	1
14+82	1
15+82	1
17+04	1
18+05	1
19+35	1
20+16	1
21+05	1
22+06	1
23+07	1
24+08	1
25+10	1
25+71	1
26+88	1
27+92	1
29+03	1
30+13	1
31+09	1
32+02	1
32+99	1
33+96	1
34+92	1
35+88	1
36+81	1
37+84	1
38+89	1
39+70	1
40+23	1
42+41	1
43+23	1
44+02	1
44+83	1
45+86	1
Total	36



PLOT DATE=\$DATE\$
FILE NAME=\$FILE\$
PLOT SCALE=\$SCALE\$
USER NAME=\$USER\$