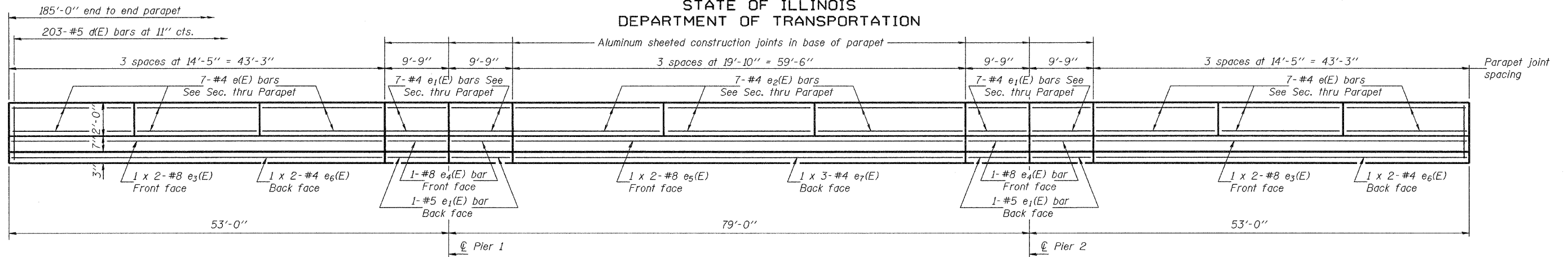
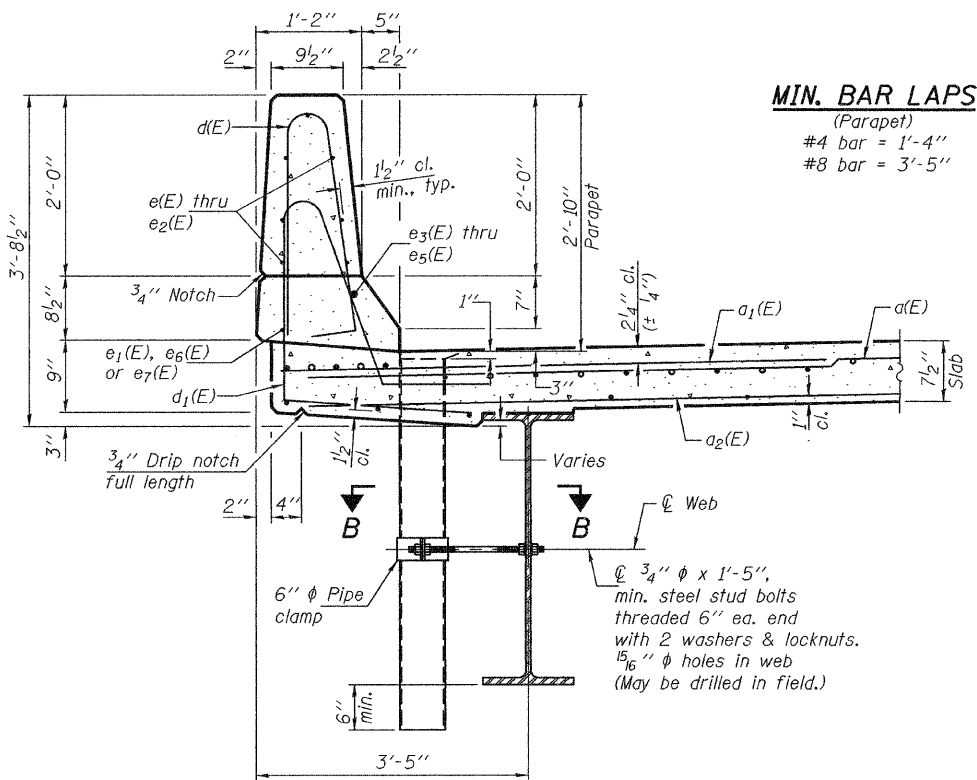


STATE OF ILLINOIS
DEPARTMENT OF TRANSPORTATION

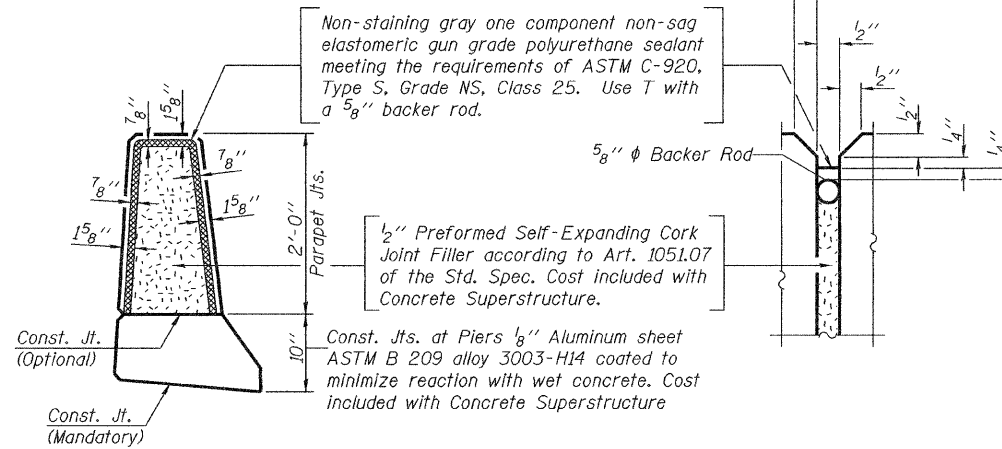


PARAPET ELEVATION
(Measured along inside face)



SECTION THRU PARAPET

MIN. BAR LAPS
(Parapet)
#4 bar = 1'-4"
#8 bar = 3'-5"



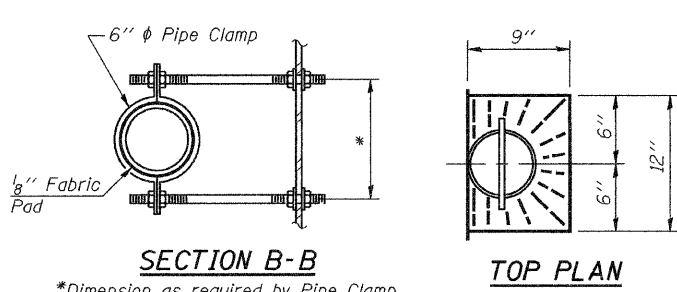
PARAPET JOINT DETAILS

Notes:
The exterior surfaces of the floor drains shall be painted with the finish coat as specified in the special provisions for Cleaning and Painting New Metal Structures. The exterior surfaces of the drains shall be cleaned according to Society of Protective Coatings Spec. SSPC-SPI prior to painting.
Fiberglass pipe shall conform to ASTM D 2996, with short-time rupture strength hoop tensile stress of 30,000 p.s.i. minimum.

SUPERSTRUCTURE
BILL OF MATERIAL

Bar	No.	Size	Length	Shape
a(E)	371	#5	42'-10"	
a1(E)	372	#6	4'-6"	
a2(E)	262	#5	41'-2"	
b(E)	322	#5	28'-4"	
b1(E)	86	#6	38'-3"	
b2(E)	328	#5	25'-0"	
d(E)	406	#5	5'-7"	
d1(E)	406	#5	8'-1"	
e(E)	84	#4	14'-1"	
e1(E)	64	#4	9'-6"	
e2(E)	42	#4	19'-6"	
e3(E)	8	#8	23'-3"	
e4(E)	8	#8	9'-6"	
e5(E)	4	#8	31'-4"	
e6(E)	8	#4	22'-2"	
e7(E)	6	#4	20'-8"	
m(E)	20	#6	23'-0"	
m1(E)	24	#6	10'-1"	
m2(E)	10	#6	7'-1"	
m3(E)	4	#6	3'-2"	
s(E)	92	#5	6'-9"	
s1(E)	82	#4	9'-6"	
v(E)	90	#5	3'-8"	
Reinforcement Bars, Epoxy Coated			Pound	64940
Concrete Superstructure			Cu. Yds.	260.7

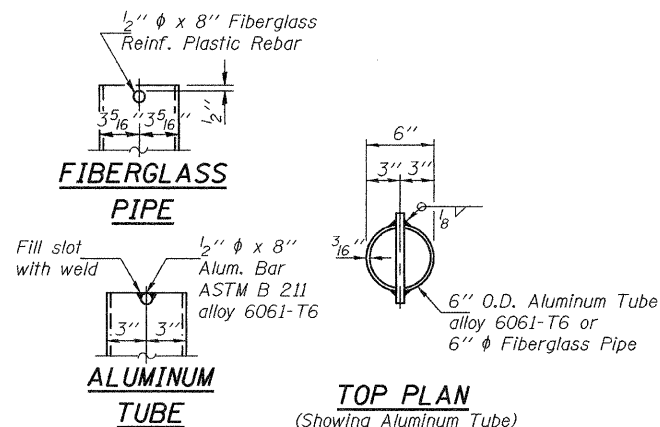
Bars indicated thus 1 x 3'-#5 etc. indicates 1 line of bars with 3 lengths per line.
Reinforcement bars shall not pass thru aluminum sheets.



SECTION B-B

TOP PLAN

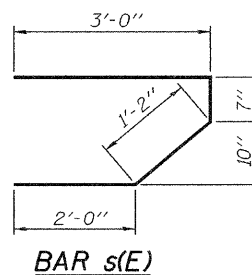
*Dimension as required by Pipe Clamp



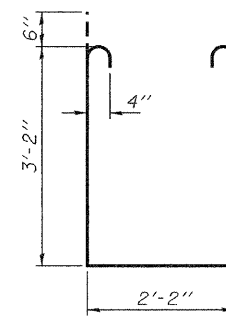
FIBERGLASS PIPE

ALUMINUM TUBE

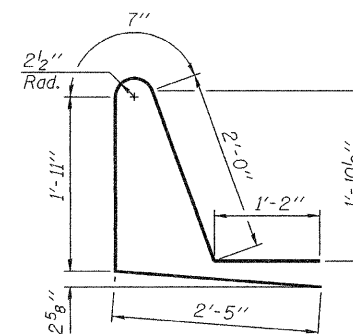
TOP PLAN
(Showing Aluminum Tube)



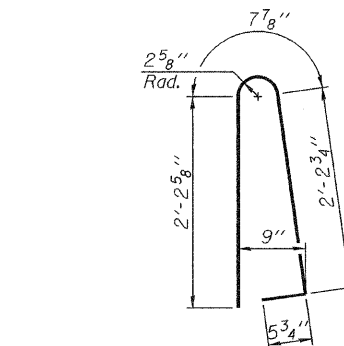
BAR s(E)



BAR s1(E)



BAR d1(E)



BAR d(E)

SUPERSTRUCTURE DETAILS
STRUCTURE NO. 039-0070 (E.B.)

SHEET NO. 8 22 SHEETS	F.A.P. RTE.	SECTION	COUNTY	TOTAL SHEETS	SHEET NO.
	331	(12-BY-1)-1	JACKSON	67	29
			CONTRACT NO. 98641		
FED. ROAD DIST. NO. _ ILLINOIS FED. AID PROJECT					

See sheet 9 of 22 for placement of s(E) and s1(E) bars.