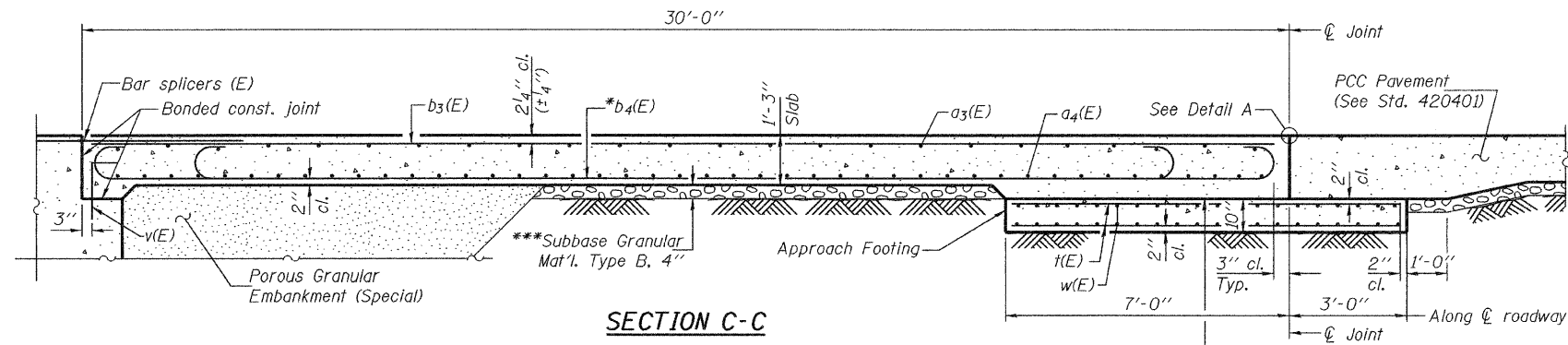
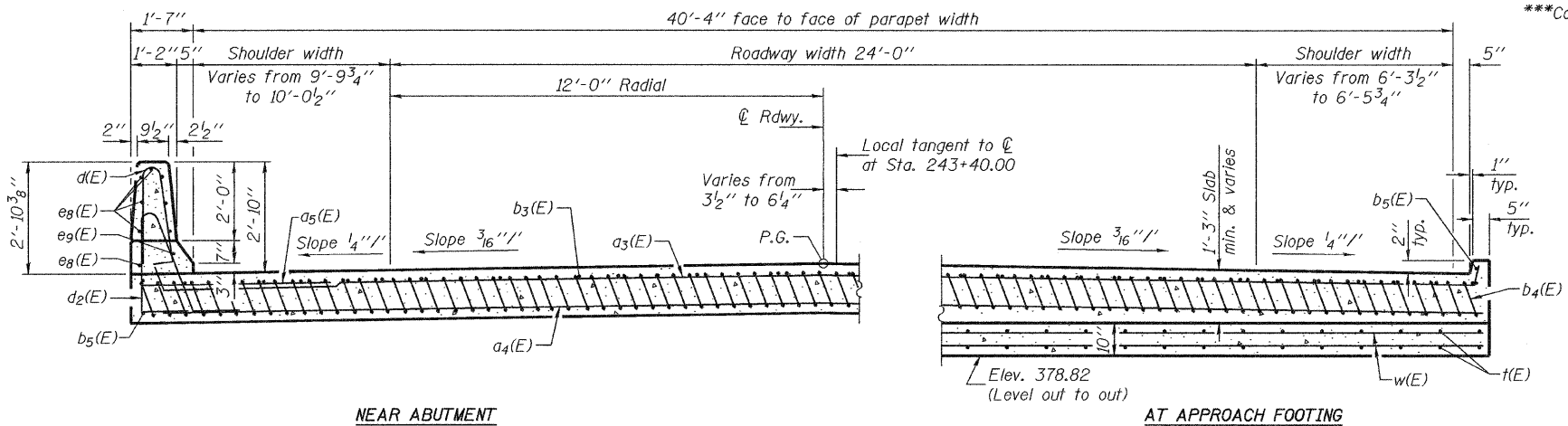


STATE OF ILLINOIS
DEPARTMENT OF TRANSPORTATION

Notes:
See sheet 10 of 22 for Detail A and View B-B.
Approach slab and parapet concrete shall be paid for as Concrete Superstructure.
Approach footing concrete shall be paid for as Concrete Structures.
Reinforcement shall be paid for as Reinforcement Bars, Epoxy Coated.
For v(E) bar details, see sheet 8 of 22.
The approach footing maximum applied service bearing pressure (Qmax) = 2.0 ksf.
For bar splicer details, see sheet 20 of 22.
Cost of excavation for approach footing included with Concrete Structures.
For Porous Granular Embankment (Special) and drainage treatment details, see sheet 2 of 22.



SECTION C-C

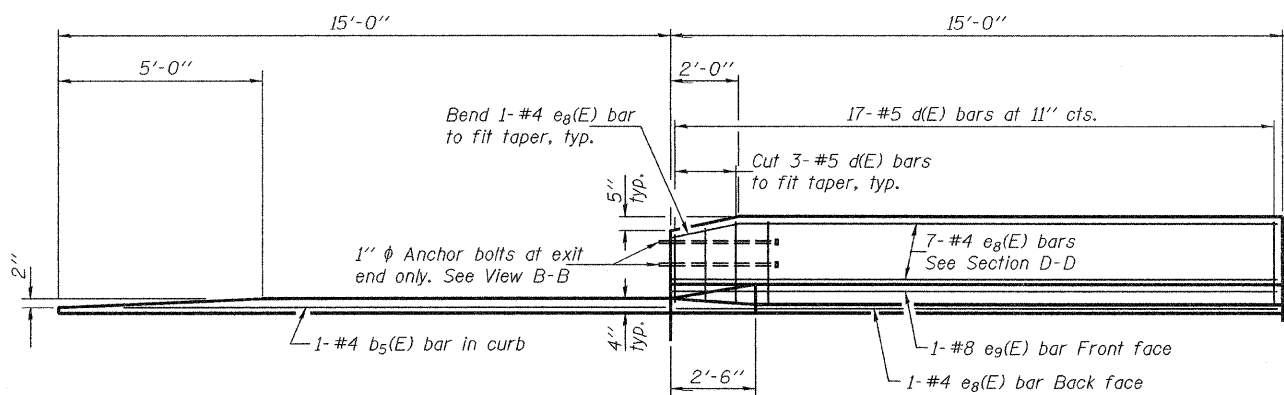


NEAR ABUTMENT

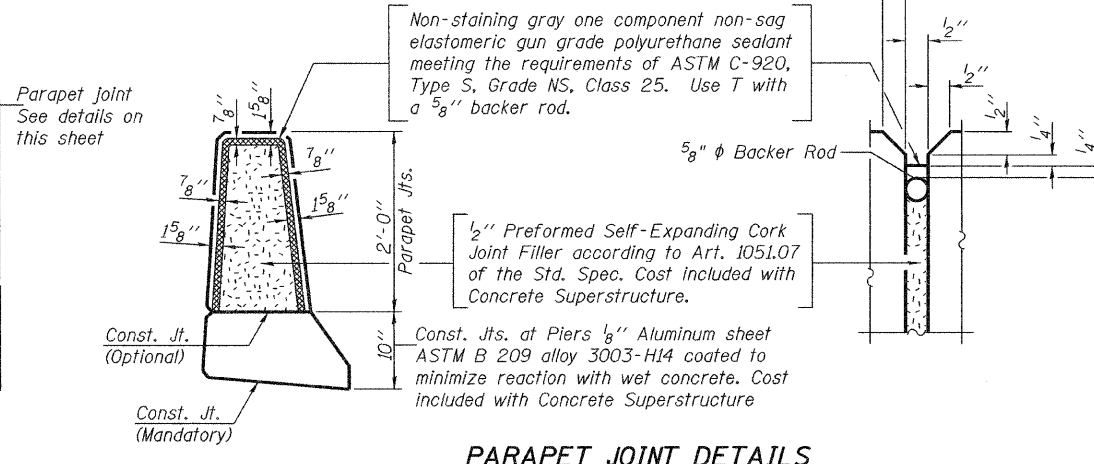
SECTION D-D

(See Plan for dimensions not shown)

AT APPROACH FOOTING



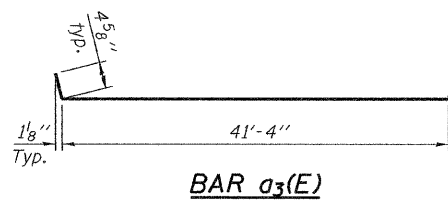
VIEW E-E



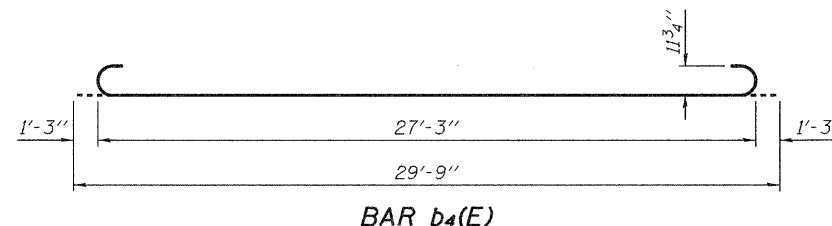
PARAPET JOINT DETAILS

DESIGNED	Rebecca Mitchell
CHECKED	Mark D. Shaffer
DRAWN	h.t. duong
CHECKED	RLM/MDS

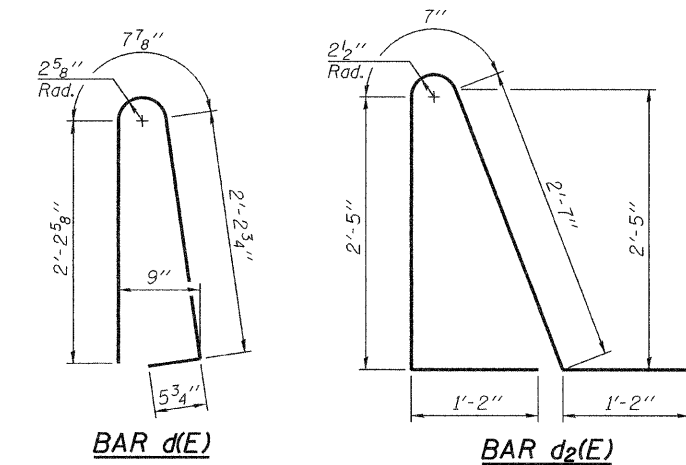
EXAMINED	Thomas J. Domagalaki	July 27, 2009
PASSED	Ralph E. Anderson	



BAR a3(E)

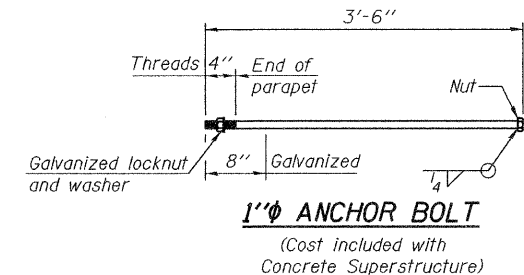


BAR b4(E)



BAR d(E)

BAR d2(E)



1" ANCHOR BOLT

(Cost included with Concrete Superstructure)

TWO APPROACHES
BILL OF MATERIAL

Bar	No.	Size	Length	Shape
a3(E)	50	#4	42'-2"	
a4(E)	92	#5	41'-10"	
a5(E)	48	#6	6'-0"	
b3(E)	68	#4	29'-8"	
b4(E)	102	#9	29'-9"	
b5(E)	8	#4	14'-8"	
d(E)	68	#5	5'-7"	
d2(E)	68	#5	7'-11"	
e8(E)	32	#4	14'-8"	
e9(E)	4	#8	14'-8"	
f(E)	172	#4	9'-8"	
w(E)	80	#5	39'-8"	
Concrete Superstructure			Cu. Yd.	138.4
Concrete Structures			Cu. Yd.	26.0
Reinforcement Bars, Epoxy Coated			Pound	23450

BRIDGE APPROACH SLAB DETAILS
STRUCTURE NO. 039-0070 (E.B.)

SHEET NO. 11	F.A.P. RTE.	SECTION	COUNTY	TOTAL SHEETS	SHEET NO.
22 SHEETS	331	(12-BY-1)-1	JACKSON	67	32
			CONTRACT NO. 98641		
FED. ROAD DIST. NO. _ ILLINOIS FED. AID PROJECT					