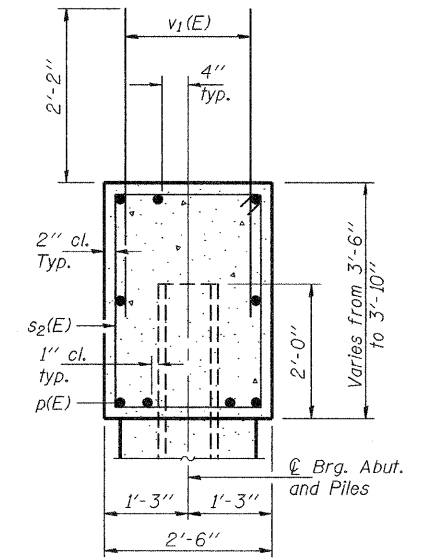
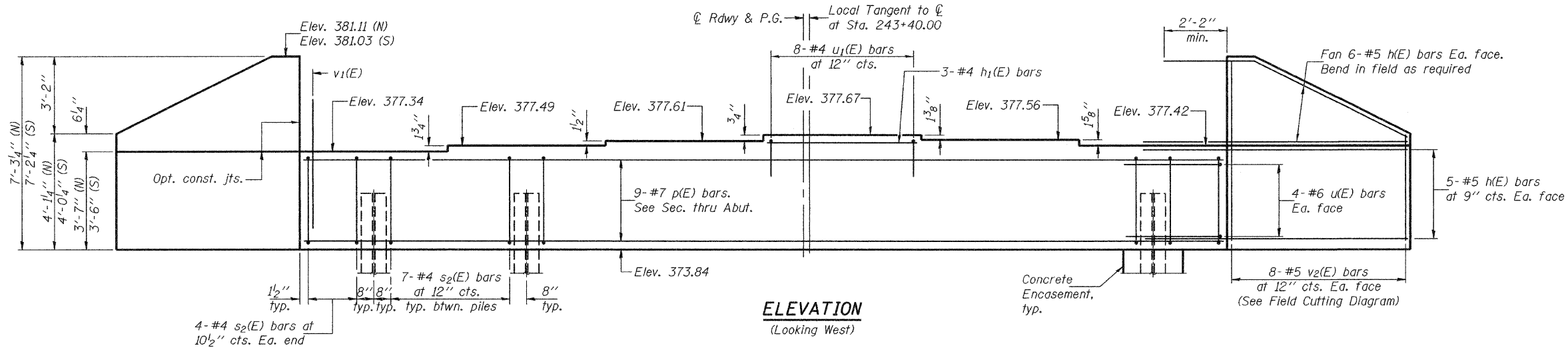


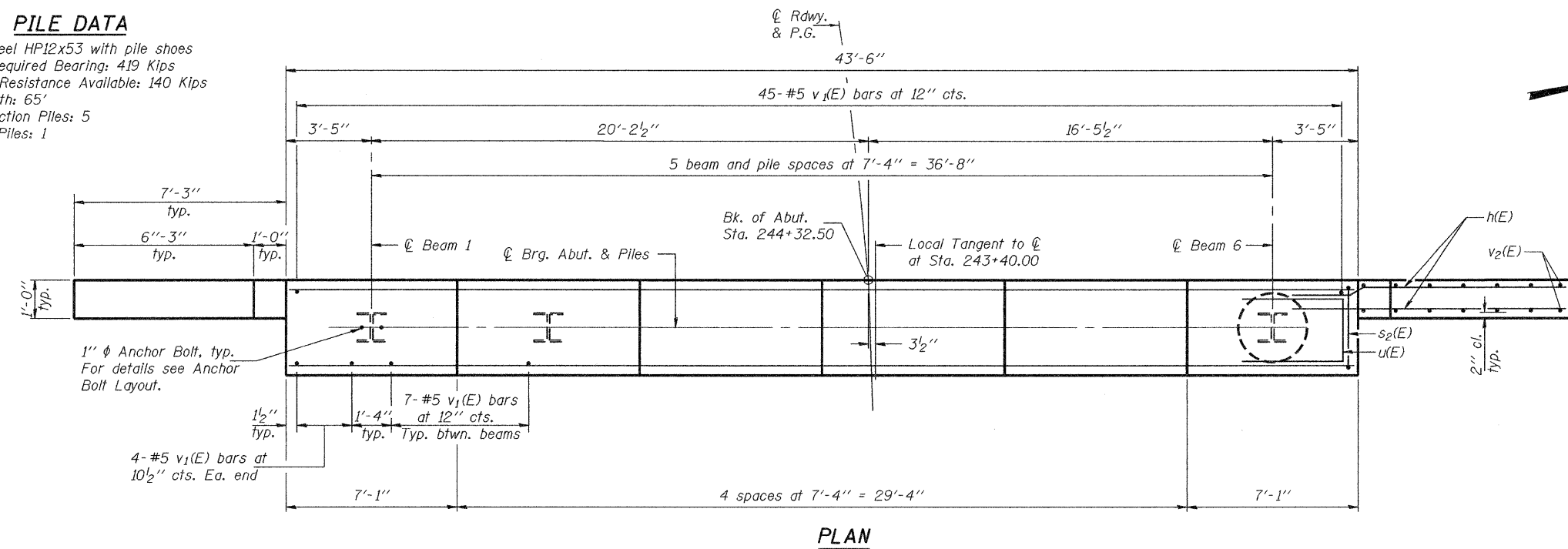
STATE OF ILLINOIS
DEPARTMENT OF TRANSPORTATION



SEC. THRU ABUT.

PILE DATA

Type: Steel HP12x53 with pile shoes
Nominal Required Bearing: 419 Kips
Factored Resistance Available: 140 Kips
Est. Length: 65'
No. Production Piles: 5
No. Test Piles: 1

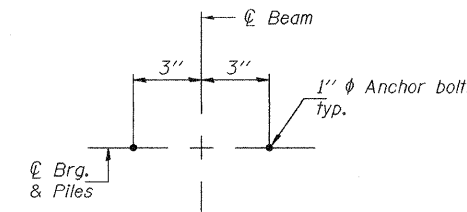


PLAN

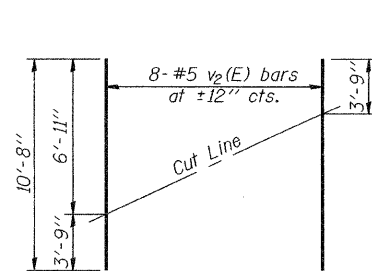
WEST ABUTMENT
BILL OF MATERIAL

Bar	No.	Size	Length	Shape
h(E)	44	#5	10'-3"	—
h1(E)	3	#4	7'-0"	—
p(E)	9	#7	43'-3"	—
s2(E)	43	#4	11'-5"	□
u(E)	8	#6	7'-3"	—
u1(E)	8	#4	4'-8"	□
v1(E)	88	#5	4'-6"	—
v2(E)	16	#5	10'-8"	—
Concrete Structures		Cu. Yd.	18.0	
Reinforcement Bars, Epoxy Coated		Pound	2310	
Structure Excavation		Cu. Yd.	27.7	
Furnishing Steel Piles HP12x53		Foot	325	
Driving Piles		Foot	325	
Test Pile Steel HP12x53		Each	1	
Pile Shoes		Each	6	
Concrete Encasement		Cu. Yd.	2.1	

Notes: Pour steps monolithically with cap.
Bars indicated thus 9 x 2-#7 etc. indicates 9 lines of bars with 2 lengths per line.

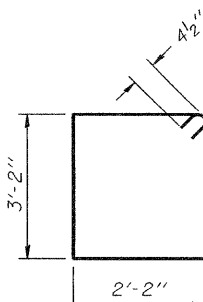


ANCHOR BOLT LAYOUT

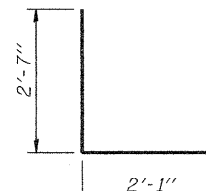


FIELD CUTTING DIAGRAM

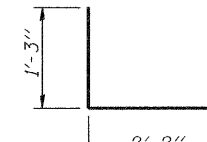
Order v2(E) full length. Cut as shown and use remainder of bars in opposite face.



BAR s2(E)



BAR u(E)



BAR u1(E)

DESIGNED	Rebecca Mitchell
CHECKED	Mark D. Shaffer
DRAWN	AMC Amber Seiber htd
CHECKED	RLM/MDS

EXAMINED	Thomas J. Domagala	July 27, 2009
PASSED	Ralph E. Anderson	

SHEET NO. 16	F.A.P. RTE.	SECTION	COUNTY	TOTAL SHEETS	SHEET NO.
	331	(12-BY-1)-1	JACKSON	67	37
22 SHEETS	CONTRACT NO. 98641				
FED. ROAD DIST. NO. _ ILLINOIS FED. AID PROJECT					

WEST ABUTMENT
STRUCTURE NO. 039-0070 (E.B.)