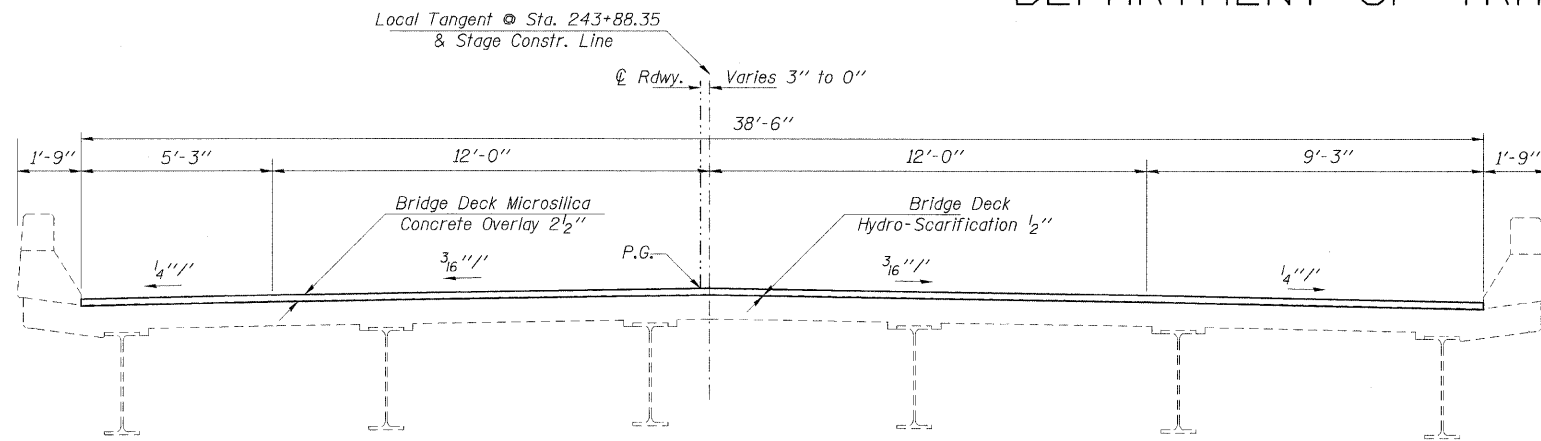


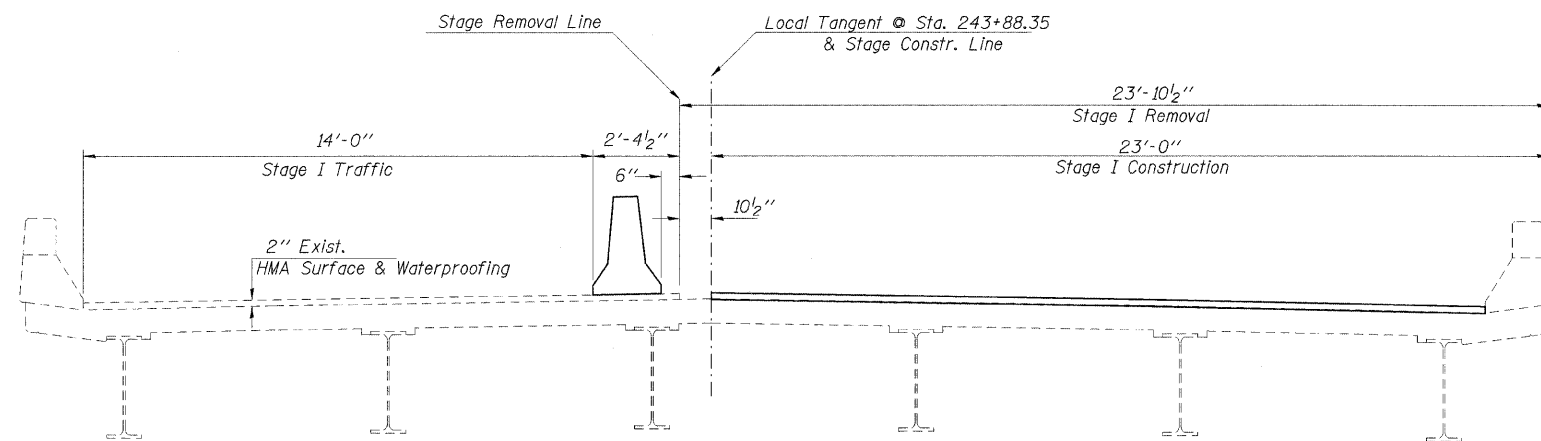
F.A.P. RTE.	SECTION	COUNTY	TOTAL SHEETS	SHEET NO.
331	*	JACKSON	67	45

STA. _____ TO STA. _____
 FED. ROAD DIST. NO. _____ ILLINOIS FED. AID PROJECT
 * D9 BSMART FY10-1

STATE OF ILLINOIS
 DEPARTMENT OF TRANSPORTATION

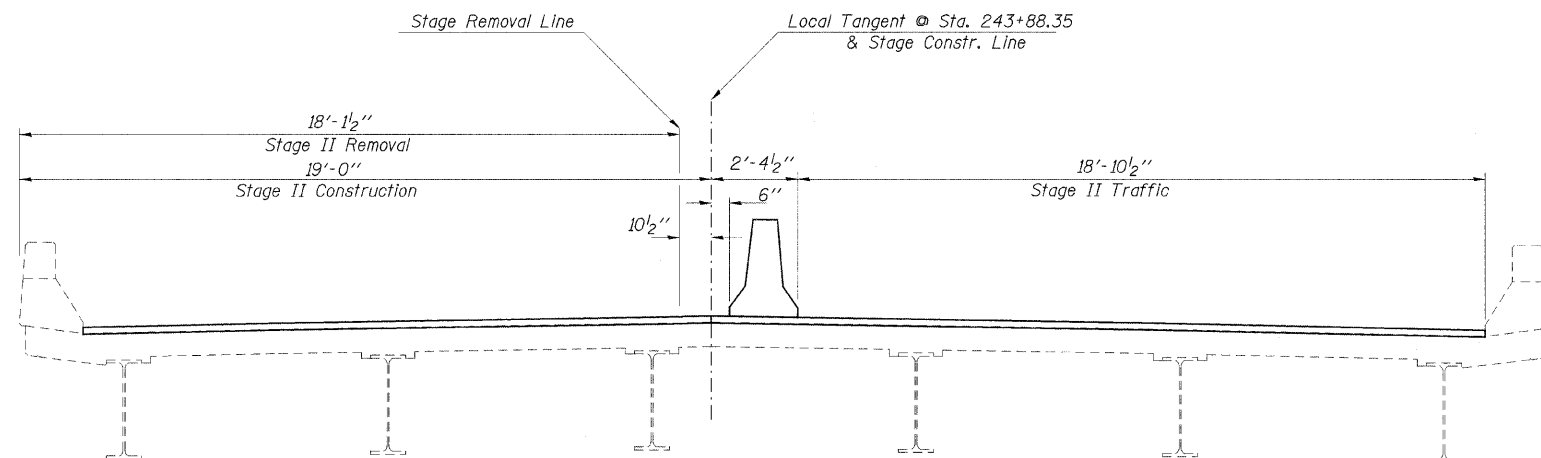


TYPICAL CROSS SECTION
 (Proposed Cross Slope matches the Existing)



STAGE I

Note: Cross sections are looking West



STAGE II

STAGE CONSTRUCTION DETAILS
ILL 13 W.B. OVER MUD CREEK
JACKSON COUNTY
SN 039-0050

PLOT DATE = 3/25/2009
 PLOT TIME = 10:54:58 AM
 PLOT USER = porterc
 USER NAME = porterc