

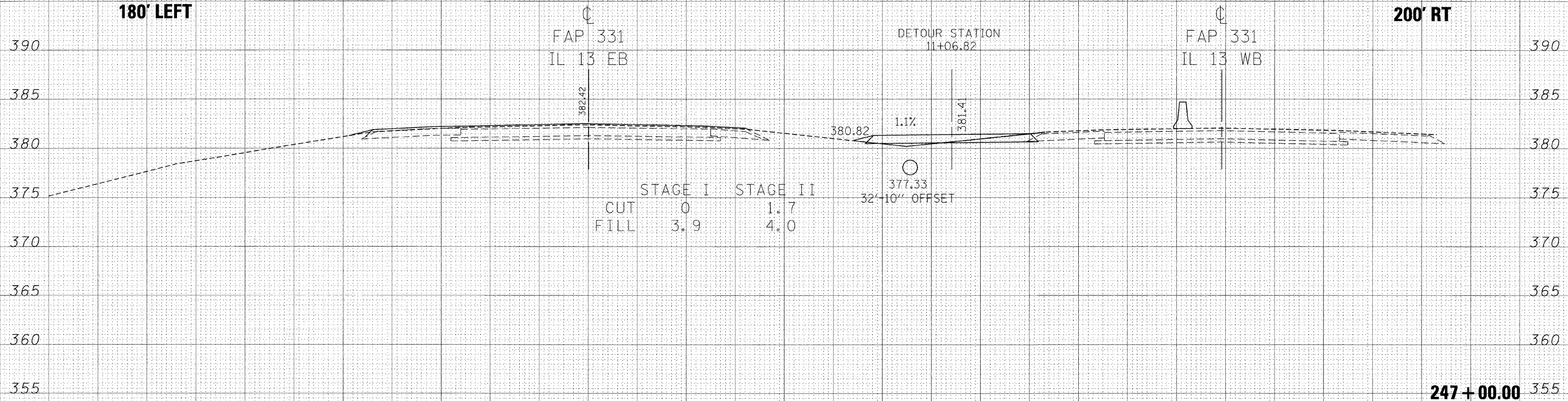
55 50 45 40 35 30 25 20 15 10 5 0 5 10 15 20 25 30 35 40 45 50 55 60 65 70 75 80 85 90 95

DATE	
BY	
SURVEYED	
PLANNED	
TEMPERATURE	
AREAS CHECKED	
NO.	

DATE	
BY	
SURVEYED	
PLANNED	
TEMPERATURE	
AREAS CHECKED	
NO.	

**EXISTING ROW
180' LEFT**

**EXISTING ROW
200' RT**



FILE NAME =
c:\pwwork\pwwid\T\SHEPARDCO\dms43646\smudsh.dgn

USER NAME = shepardgd
DESIGNED -
DRAWN -
CHECKED -
PLOT SCALE = 4.7222' / IN.
PLOT DATE = 3/18/2009

DESIGNED -
DRAWN -
CHECKED -
DATE -

REVISED -
REVISED -
REVISED -
REVISED -

**STATE OF ILLINOIS
DEPARTMENT OF TRANSPORTATION**

CROSS SECTIONS

SCALE: SHEET NO. OF SHEETS STA. 247+00.00 TO STA. 247+00.00

F.A.P. RTE.	SECTION	COUNTY	TOTAL SHEETS	SHEET NO.
331	(12-1B-14)D9SMART FY10-1	JACKSON	67	63
CONTRACT NO. 98641				
ILLINOIS FED. AID PROJECT				