

STATE OF ILLINOIS  
DEPARTMENT OF TRANSPORTATION

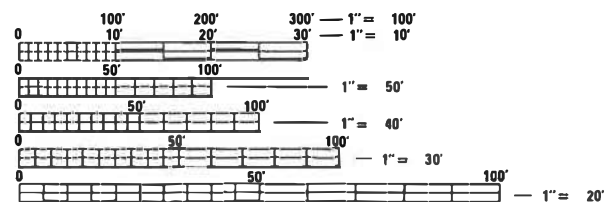
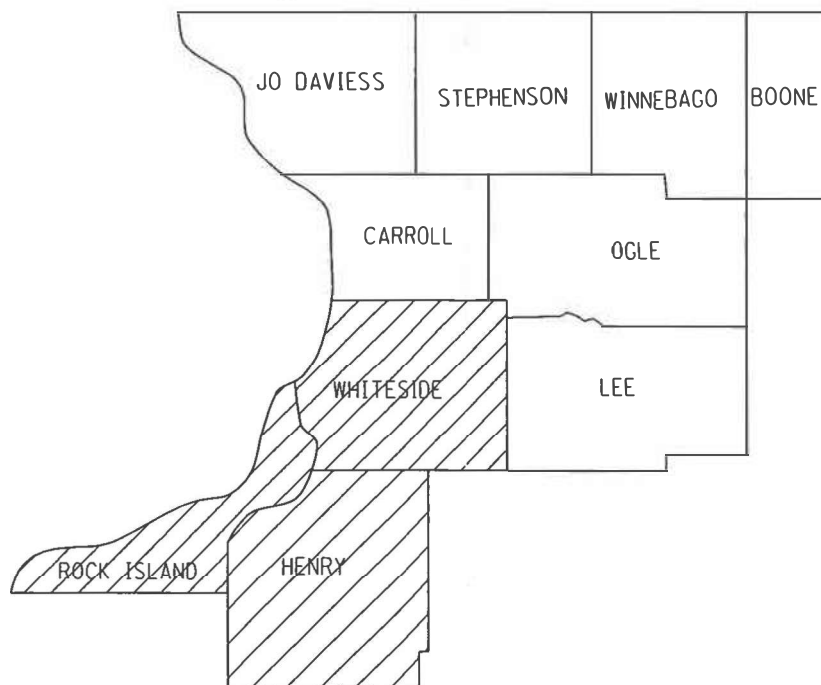
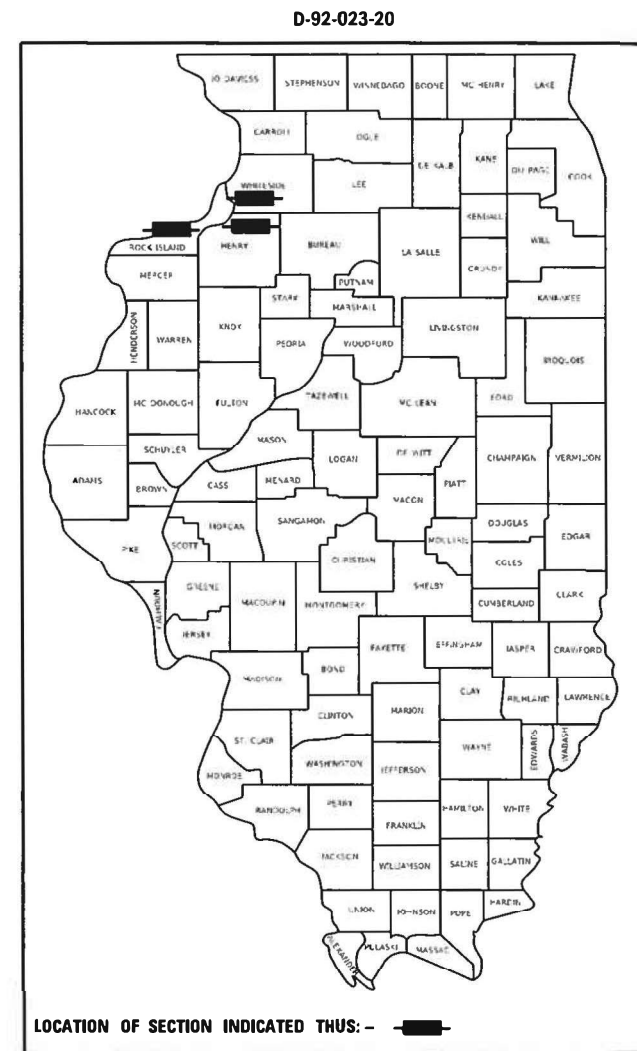
F.A. RTE.	SECTION	COUNTY	TOTAL SHEETS	SHEET NO.
VAR.	D2 BC 2021-4	VARIOUS	11	1
		ILLINOIS	CONTRACT NO. 64P20	

FOR INDEX OF SHEETS, SEE SHEET NO. 2  
FOR STATE STANDARDS, SEE SHEET NO. 2

PROPOSED  
HIGHWAY PLANS

VARIOUS ROUTES  
SECTION: D2 BC 2021-4  
PROJECT: NHPP-KEUY(488)  
TYPE of IMPROVEMENT: BRIDGE WASHING  
VARIOUS COUNTIES

C-92-053-20



FULL SIZE PLANS HAVE BEEN PREPARED USING STANDARD ENGINEERING SCALES. REDUCED SIZED PLANS WILL NOT CONFORM TO STANDARD SCALES. IN MAKING MEASUREMENTS ON REDUCED PLANS, THE ABOVE SCALES MAY BE USED.

J.U.L.I.E.  
JOINT UTILITY LOCATION INFORMATION FOR EXCAVATION  
1-800-892-0123  
OR 811

PROJECT ENGINEER: DAVID DOSS (815) 284-5416  
PROJECT MANAGER: MAHMOUD ETEMADI (815) 284-5393

CONTRACT NO. 64P20

STATE OF ILLINOIS  
DEPARTMENT OF TRANSPORTATION

SUBMITTED June 15, 2020  
*Muhammad Ahmed*  
REGIONAL ENGINEER

August 14, 2020  
*Scott A. Elk*  
ENGINEER OF DESIGN AND ENVIRONMENT

August 14, 2020  
*Qasim, Qasim*  
DIRECTOR OF HIGHWAYS PROJECT IMPLEMENTATION 13

PRINTED BY THE AUTHORITY  
OF THE STATE OF ILLINOIS

# INDEX OF SHEETS

- 1 COVER SHEET
- 2 INDEX OF SHEETS & STATE STANDARDS
- 3 SUMMARY OF QUANTITIES
- 4 SCHEDULE OF QUANTITIES
- 5 LOCATION MAP HENRY COUNTY
- 6 LOCATION MAP ROCK ISLAND COUNTY
- 7 LOCATION MAP WHITESIDE COUNTY
- 8-11 DISTRICT STANDARD 38.1

# STATE STANDARDS

- 701006-05 OFF-ROAD OPERATIONS, 2L, 2W, 15'(4.5m) TO 24" (600mm) FROM PAVEMENT EDGE
- 701101-05 OFF-ROAD OPERATIONS, MULTILANE, 15'(4.5m) TO 24"(600mm) FROM PAVEMENT EDGE
- 701400-09 APPROACH TO LANE CLOSURE, FREEWAY/EXPRESSWAY
- 701406-12 LANE CLOSURE, FREEWAY/EXPRESSWAY, DAY OPERATIONS ONLY
- 701411-09 LANE CLOSURE, MULTILANE, AT ENTRANCE OR EXIT RAMP, FOR SPEEDS > 45 MPH
- 701501-06 URBAN LANE CLOSURE, 2L, 2W, UNDIVIDED
- 701601-09 URBAN LANE CLOSURE, MULTILANE, 1W OR 2W WITH NONTRAVERSABLE MEDIAN
- 701901-08 TRAFFIC CONTROL DEVICES
- 720011-01 METAL POSTS FOR SIGNS, MARKERS AND DELINEATORS
- 728001-01 TELESCOPING STEEL SIGN SUPPORT
- 729001-01 APPLICATIONS OF TYPES A & B METAL POSTS (FOR SIGNS & MARKERS)

MODEL: Default  
 FILE: \\blm1c1.pva\pub\lansroom\data\illinois.gov\PWIDOT\Documents\IDOT\_Offices\District 2\Projects\Operations\Bridges\_Sections\Bridges\_Washing\_Contracts\2021\September\_Letting\64P20\_Bridge\_Washing\_at\_various\_locations\_over\_Rock\_River\_16\CADD\64P20-01-01-01-01-01.dgn

USER NAME = dossed	DESIGNED - _____	REVISED - _____	<b>STATE OF ILLINOIS DEPARTMENT OF TRANSPORTATION</b>	<b>INDEX OF SHEETS &amp; STATE STANDARDS</b>		F.A. RTE.	SECTION	COUNTY	TOTAL SHEETS	SHEET NO.
PLOT SCALE = 100,0000 ' / in.	CHECKED - _____	REVISED - _____				VAR.	D2 BC 2021-4	VARIOUS	11	2
PLOT DATE = Mar-16-2020 09:04:53 AM	DATE - _____	REVISED - _____		SCALE: _____ SHEET ____ OF ____ SHEETS STA. _____ TO STA. _____		ILLINOIS FED. AID PROJECT				
						CONTRACT NO. 64P20				

# SUMMARY OF QUANTITIES

Paycode	Description	Units	0047 NHPP 90% FEDERAL 10% STATE	Total
59200101	BRIDGE WASHING NO. 1	EACH	1	1
59200102	BRIDGE WASHING NO. 2	EACH	1	1
59200103	BRIDGE WASHING NO. 3	EACH	1	1
59200104	BRIDGE WASHING NO. 4	EACH	1	1
59200105	BRIDGE WASHING NO. 5	EACH	1	1
59200106	BRIDGE WASHING NO. 6	EACH	1	1
67100100	MOBILIZATION	L SUM	1	1
70100420	TRAFFIC CONTROL AND PROTECTION, STANDARD 701411	EACH	4	4
70100700	TRAFFIC CONTROL AND PROTECTION, STANDARD 701406	L SUM	1	1
70102620	TRAFFIC CONTROL AND PROTECTION, STANDARD 701501	L SUM	1	1

MODEL: Default  
FILE: Main16\_PlanRoom.dwg  
PROJECT: P:\Projects\Operations\Bridges\_Section\Bridges\_Washing\_Contracts2021\September\_Letting\64P20\_Bridge\_Washing\_at\_various\_locations\_over\_Rock\_River\_64P20-Plan-Cover.dwg

USER NAME = dossdd	DESIGNED - _____	REVISED - _____
PLOT SCALE = 100.0000' / in.	CHECKED - _____	REVISED - _____
PLOT DATE = Mar-16-2020 09:05:01 AM	DATE - _____	REVISED - _____

**STATE OF ILLINOIS  
DEPARTMENT OF TRANSPORTATION**

<b>SUMMARY OF QUANTITIES</b>	
SCALE: _____	SHEET ____ OF ____ SHEETS STA. _____ TO STA. _____

F.A. RTE.	SECTION	COUNTY	TOTAL SHEETS	SHEET NO.
VAR.	D2 BC 2021-4	VARIOUS	11	3
			CONTRACT NO. 64P20	
ILLINOIS FED. AID PROJECT				

# SCHEDULE OF QUANTITIES

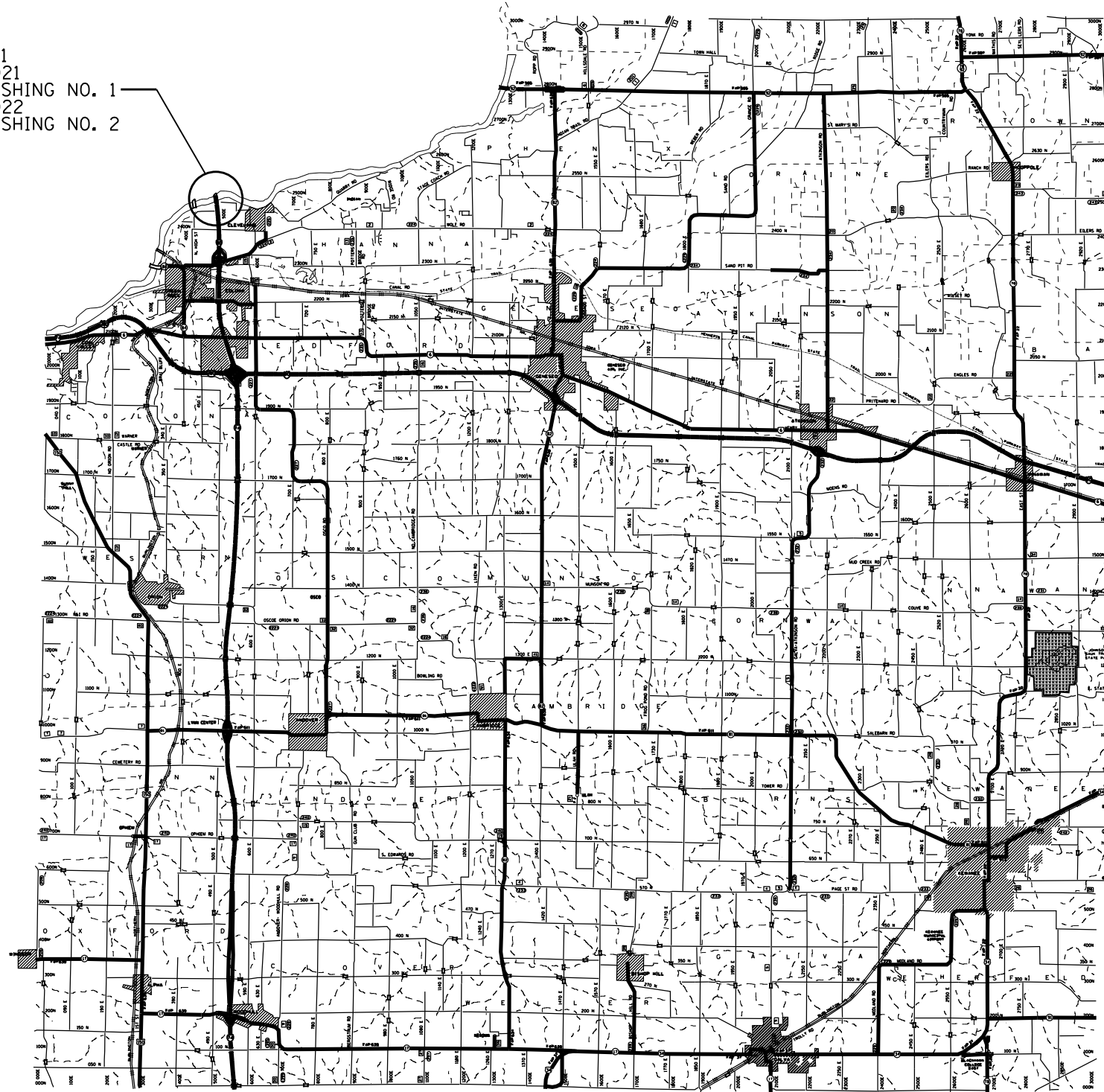
Pay Item	Project Location	SN	Facility Carried	Feature Crossed	Bridge Location	Traffic Control
BRIDGE WASHING NO. 1	1	037-0021	FAI 80 SB	Rock River	At Rock Island Co. Line	701400 701406
BRIDGE WASHING NO. 2		037-0022	FAI 80 NB	Rock River	At Rock Island Co. Line	701400 701406
BRIDGE WASHING NO. 3	2	081-0161	FAI 74 SB	Rock River / Side Roads	S Edge Moline	701400, 701406, 701411, 701501
BRIDGE WASHING NO. 4		081-0162	FAI 74 NB	Rock River / Side Roads	S Edge Moline	701400, 701406, 701411, 701501
BRIDGE WASHING NO. 5	3	098-0079	FAI 88	Rock River	3 Mi West of Rock Falls	701400, 701406, 701411
BRIDGE WASHING NO. 6		098-0080	FAI 88	Rock River	3 Mi West of Rock Falls	701400, 701406, 701411

MODEL: Default  
 FILE: Model: P:\pub\lanscom\data\illinois.gov\PI\DOT\Documents\DOT\_Offices\District 2\Projects\Operations\Bridges\_Section\Bridges\_Washing\_Contracts\2021\September\_Letting\64P20\_Bridge\_Washing\_at\_various\_locations\_over\_Rock\_River\_16\CADD\64P20-4-16-20-cover.dgn

# HENRY COUNTY



LOCATION 1  
 SN 037-0021  
 BRIDGE WASHING NO. 1  
 SN 037-0022  
 BRIDGE WASHING NO. 2



MODEL: Default  
 FILE: h16161c\_p16161aroom.dwg  
 PROJECT: \Documents\DOT\_Offices\District 2\Projects\Operations\Bridges\_Sections\Bridges\_Washing\_Contracts2021\September\_Letting\64P20\_Bridge\_Washing\_at\_various\_locations\_over\_Rock\_River\_65\CADD\64P20\_bhc-cover.dgn

USER NAME = dossed	DESIGNED - _____	REVISED - _____
	DRAWN - _____	REVISED - _____
PLOT SCALE = 100,0000' / in.	CHECKED - _____	REVISED - _____
PLOT DATE = Mar-16-2020 09:05:17 AM	DATE - _____	REVISED - _____

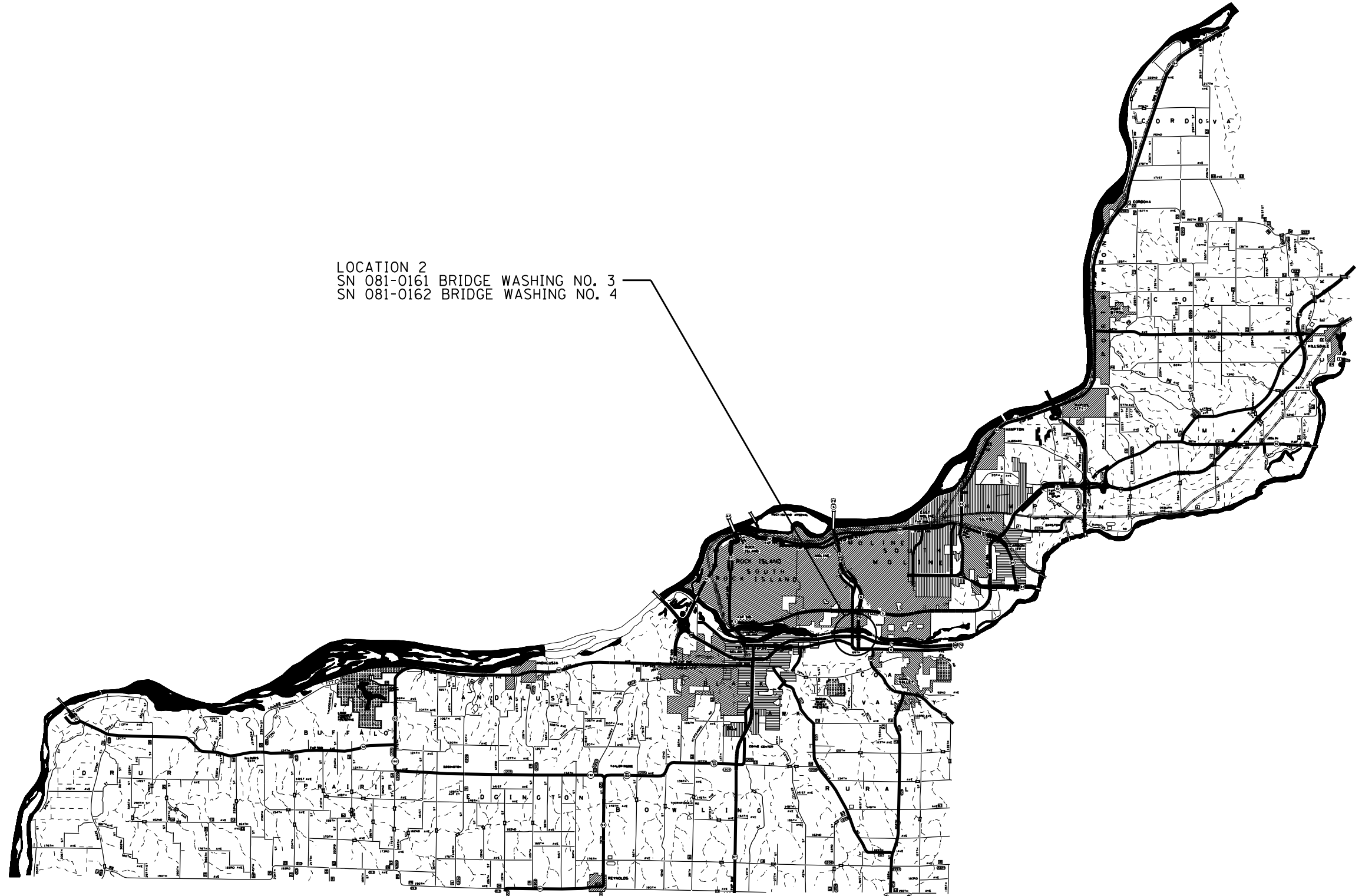
**STATE OF ILLINOIS**  
**DEPARTMENT OF TRANSPORTATION**

**HENRY COUNTY**  
**LOCATION MAP**

SCALE: \_\_\_\_\_ SHEET \_\_\_\_\_ OF \_\_\_\_\_ SHEETS STA. \_\_\_\_\_ TO STA. \_\_\_\_\_

F.A. RTE.	SECTION	COUNTY	TOTAL SHEETS	SHEET NO.
VAR.	D2 BC 2021-4	VARIOUS	11	5
			CONTRACT NO. 64P20	
		ILLINOIS	FED. AID PROJECT	

# ROCK ISLAND COUNTY



MODEL: Default  
 FILE: h:\m\c:\pub\planroom\dat\illinois\gov\PI\DOT\Documents\DOT\_Offices\District\_2\Projects\Operations\Bridges\_Sections\Bridges\_Washing\_Contracts\2021\September\_Letting\64P20\_Bridge\_Washing\_at\_various\_locations\_over\_Rock\_River\_16\CADD\64P20\64p20-bridge-cover.dgn

USER NAME = drossd	DESIGNED - _____	REVISED - _____
	DRAWN - _____	REVISED - _____
PLOT SCALE = 100,0000' / in.	CHECKED - _____	REVISED - _____
PLOT DATE = Mar-16-2020 09:05:28 AM	DATE - _____	REVISED - _____

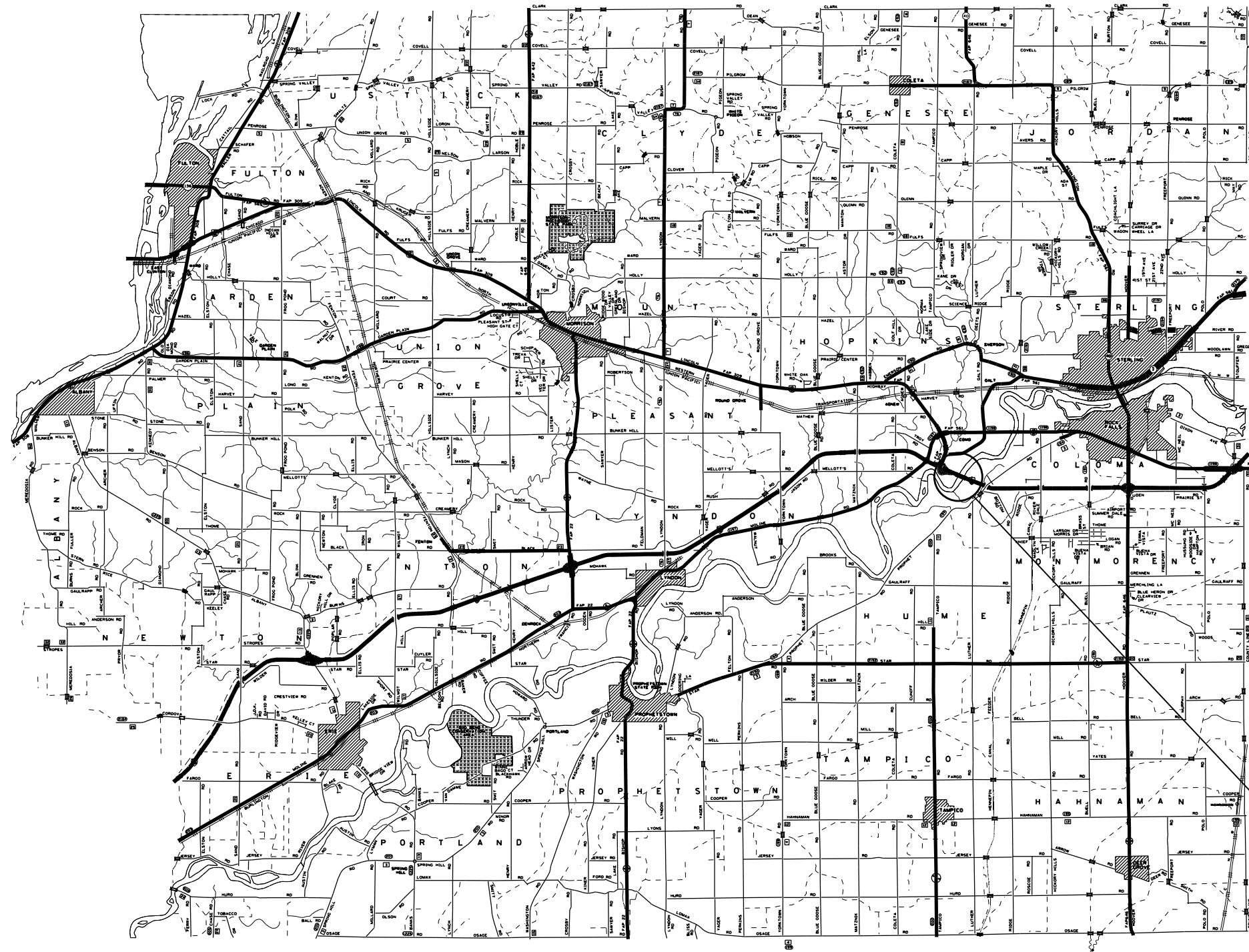
**STATE OF ILLINOIS**  
**DEPARTMENT OF TRANSPORTATION**

**ROCK ISLAND COUNTY**  
**LOCATION MAP**

SCALE: \_\_\_\_\_ SHEET \_\_\_\_ OF \_\_\_\_ SHEETS STA. \_\_\_\_\_ TO STA. \_\_\_\_\_

F.A. RTE.	SECTION	COUNTY	TOTAL SHEETS	SHEET NO.
VAR.	D2 BC 2021-4	VARIOUS	11	6
			CONTRACT NO. 64P20	
		ILLINOIS	FED. AID PROJECT	

# WHITESIDE COUNTY



LOCATION 3  
 SN 098-0079  
 BRIDGE WASHING NO. 5  
 SN 098-0080  
 BRIDGE WASHING NO. 6

MODEL: Default  
 FILE: \\blairc:\pub\pubroom\dot\dot\Office\District 2\Projects\Operations\Bridges\_Section\Bridges\_Washing\_Contract\2021\September\_Lentini\64P20\_Bridge\_Washing\_at\_various\_locations\_over\_Rock\_River\_6\UCAD0164P20-64P20-cover.dgn

USER NAME = dossed	DESIGNED - _____	REVISED - _____
	DRAWN - _____	REVISED - _____
PLOT SCALE = 100,0000' / in.	CHECKED - _____	REVISED - _____
PLOT DATE = Mar-16-2020 09:05:37 AM	DATE - _____	REVISED - _____

STATE OF ILLINOIS  
 DEPARTMENT OF TRANSPORTATION

WHITESIDE COUNTY  
 LOCATION MAP

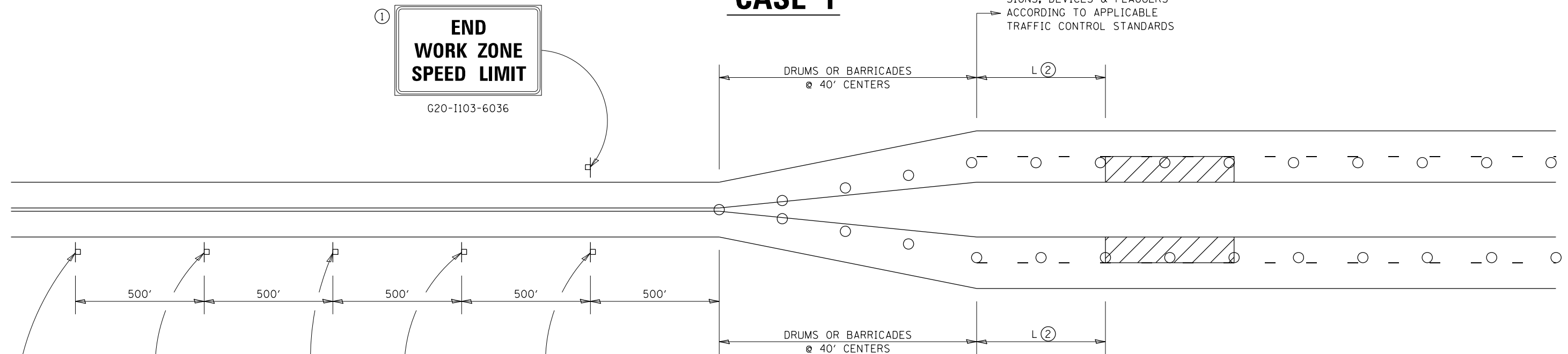
SCALE: \_\_\_\_\_ SHEET \_\_\_\_\_ OF \_\_\_\_\_ SHEETS STA. \_\_\_\_\_ TO STA. \_\_\_\_\_

F.A. RTE.	SECTION	COUNTY	TOTAL SHEETS	SHEET NO.
VAR.	D2 BC 2021-4	VARIOUS	11	7
			CONTRACT NO. 64P20	
ILLINOIS FED. AID PROJECT				

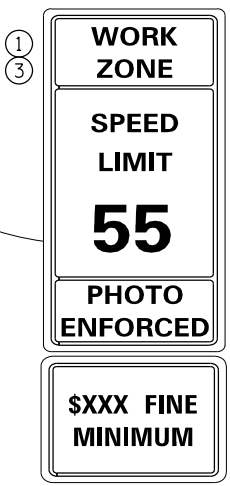
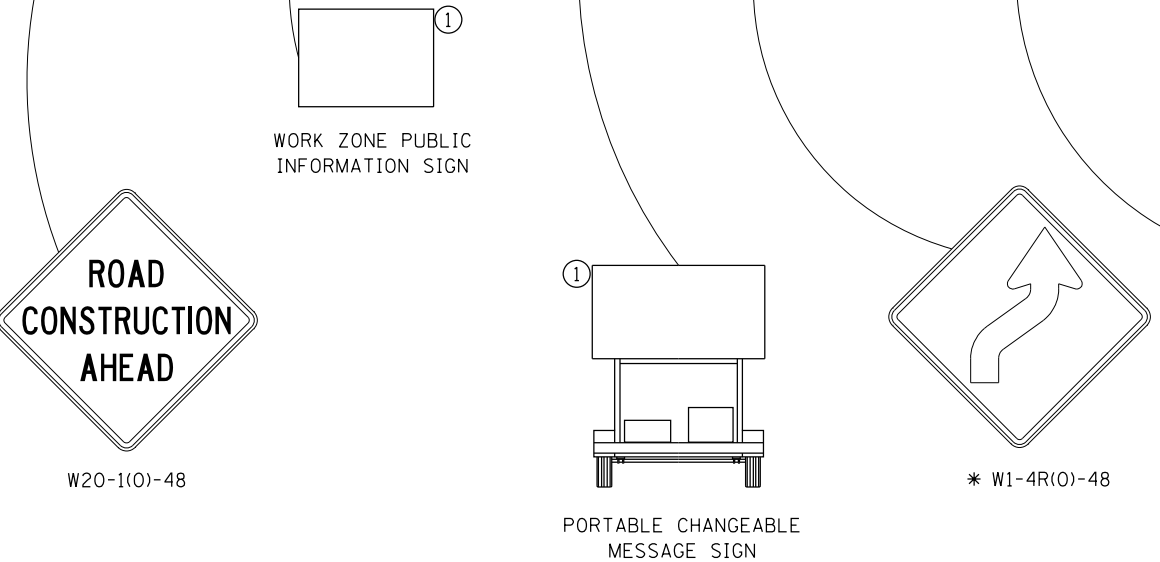
# TRAFFIC CONTROL FOR TRANSITION AREAS

## CASE 1

SIGNS, DEVICES & FLAGGERS  
ACCORDING TO APPLICABLE  
TRAFFIC CONTROL STANDARDS



SIGNS, DEVICES & FLAGGERS  
ACCORDING TO APPLICABLE  
TRAFFIC CONTROL STANDARDS



GENERAL NOTES  
THIS DETAIL IS TO BE USED IN CONJUNCTION  
WITH THE APPLICABLE MULTILANE TRAFFIC  
CONTROL AND PROTECTION STANDARD.

1. If applicable, Use if shown on applicable multilane Traffic Control and Protection Standard being used.
2. If the work is within 2500 feet of the transition when the speed is > 40 mph, or 1500 feet for all other speeds, the detail shall be used.
3. WORK ZONE SPEED LIMIT 55 SIGN ASSEMBLY shall be replaced with WORK ZONE SPEED LIMIT 45 SIGN ASSEMBLY where the workers are within 500 feet of the transition.

THIS TRAFFIC CONTROL DETAIL SHALL BE INCLUDED  
IN THE COST OF SPECIFIED TRAFFIC CONTROL  
STANDARDS OR ITEMS.

○ DRUMS OR BARRICADES WITH LIGHTS

▨ WORK AREA

NOTE: STANDARDS 701301 AND 701306  
SHALL NOT BE USED WITHIN 500 FEET  
OF THE TRANSITION.

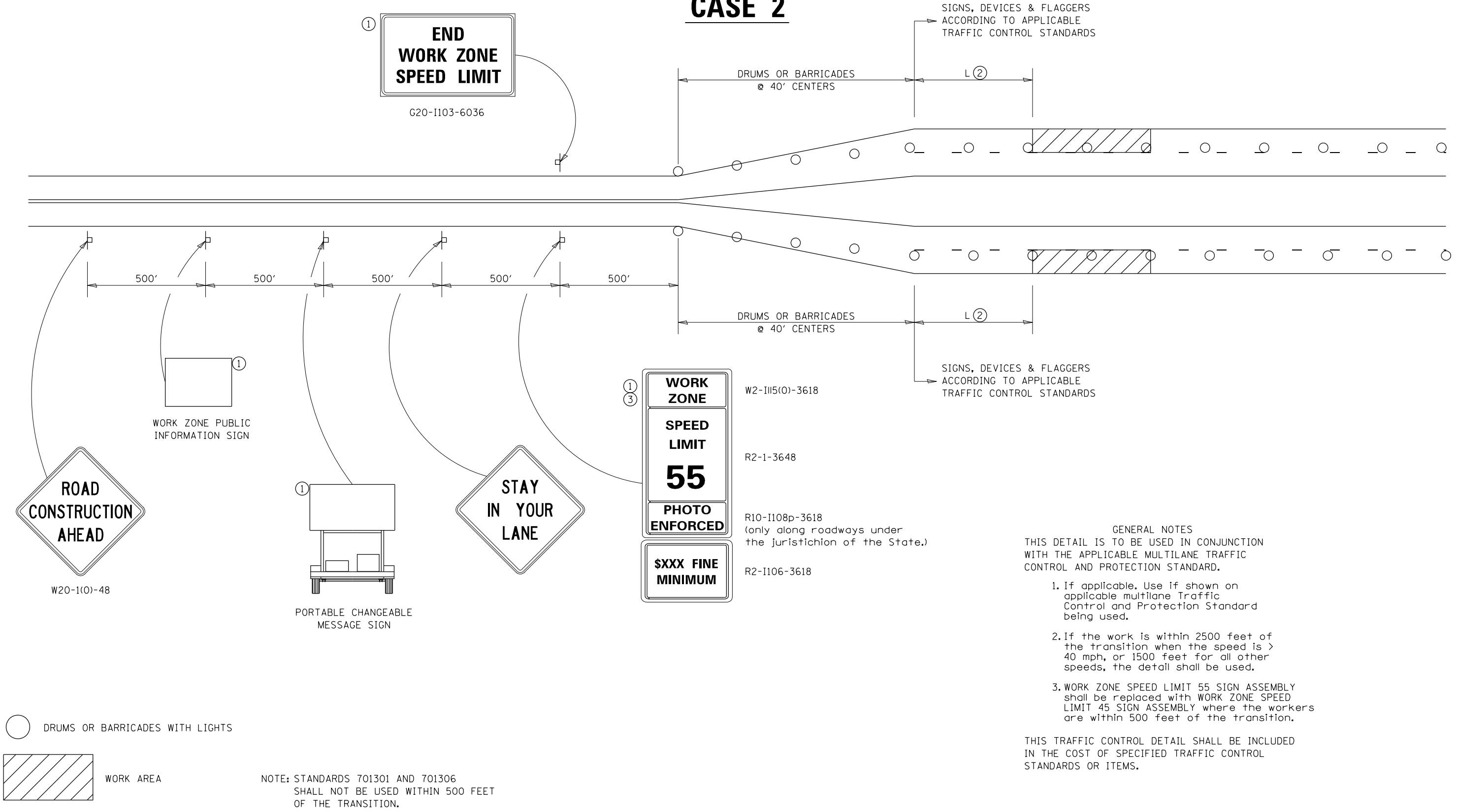
\* DEPENDS ON GEOMETRICS  
OF THE TRANSITION. MAY  
SWITCH THE "STAY IN YOUR  
LANE" AND "WEAVE SIGNS"

FILE NAME =	USER NAME = dosddd	DESIGNED -	REVISED - 4-20-17	STATE OF ILLINOIS DEPARTMENT OF TRANSPORTATION	REGION 2 / DISTRICT 2 STANDARD	F.A. RTÉ.	SECTION	COUNTY	TOTAL SHEETS	SHEET NO.	
DRAWN						REVISED - 05-16-13	VAR.	D2 BC 2021-4	VARIOUS	11	8
PLOT SCALE = 100.0000' / in.						REVISED - 8-27-13	CONTRACT NO. 64P20				
PLOT DATE = Mar-16-2020 09:07:39 AM						REVISED - 1-16-13	FED. ROAD DIST. NO. ILLINOIS FED. AID PROJECT				



# TRAFFIC CONTROL FOR TRANSITION AREAS

## CASE 2



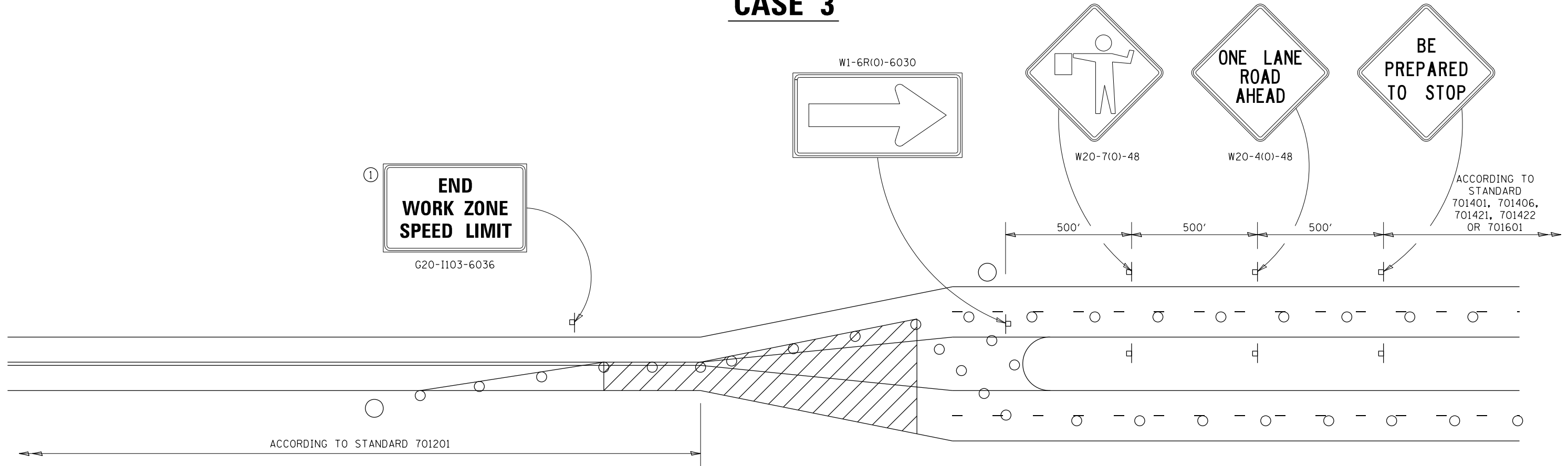
- GENERAL NOTES
- THIS DETAIL IS TO BE USED IN CONJUNCTION WITH THE APPLICABLE MULTILANE TRAFFIC CONTROL AND PROTECTION STANDARD.
1. If applicable, Use if shown on applicable multilane Traffic Control and Protection Standard being used.
  2. If the work is within 2500 feet of the transition when the speed is > 40 mph, or 1500 feet for all other speeds, the detail shall be used.
  3. WORK ZONE SPEED LIMIT 55 SIGN ASSEMBLY shall be replaced with WORK ZONE SPEED LIMIT 45 SIGN ASSEMBLY where the workers are within 500 feet of the transition.

THIS TRAFFIC CONTROL DETAIL SHALL BE INCLUDED IN THE COST OF SPECIFIED TRAFFIC CONTROL STANDARDS OR ITEMS.

FILE NAME =	USER NAME = dosddd	DESIGNED -	REVISED - 4-20-17	<b>STATE OF ILLINOIS</b> <b>DEPARTMENT OF TRANSPORTATION</b>	REGION 2 / DISTRICT 2 STANDARD	F.A. RT#:	SECTION	COUNTY	TOTAL SHEETS	SHEET NO.			
DRAWN					CONTRACT NO. 64P20	SCALE: _____	SHEET NO. ____ OF ____ SHEETS	STA. _____ TO STA. _____	VAR.	D2 BC 2021-4	VARIOUS	11	9
PLOT SCALE = 100.0000' / in.					REVISED - 8-27-13					CONTRACT NO. 64P20			
PLOT DATE = Mar-16-2020 09:07:47 AM				DATE -	REVISED - 1-16-13					FED. ROAD DIST. NO. _		ILLINOIS FED. AID PROJECT	

# TRAFFIC CONTROL FOR TRANSITION AREAS

## CASE 3



**GENERAL NOTES**  
 THIS DETAIL IS TO BE USED IN CONJUNCTION WITH THE APPLICABLE MULTILANE TRAFFIC CONTROL AND PROTECTION STANDARD.

1. If applicable, Use if shown on applicable multilane Traffic Control and Protection Standard being used.
2. If the work is within 2500 feet of the transition when the speed is > 40 mph, or 1500 feet for all other speeds, the detail shall be used.
3. WORK ZONE SPEED LIMIT 55 SIGN ASSEMBLY shall be replaced with WORK ZONE SPEED LIMIT 45 SIGN ASSEMBLY where the workers are within 500 feet of the transition.

THIS TRAFFIC CONTROL DETAIL SHALL BE INCLUDED IN THE COST OF SPECIFIED TRAFFIC CONTROL STANDARDS OR ITEMS.

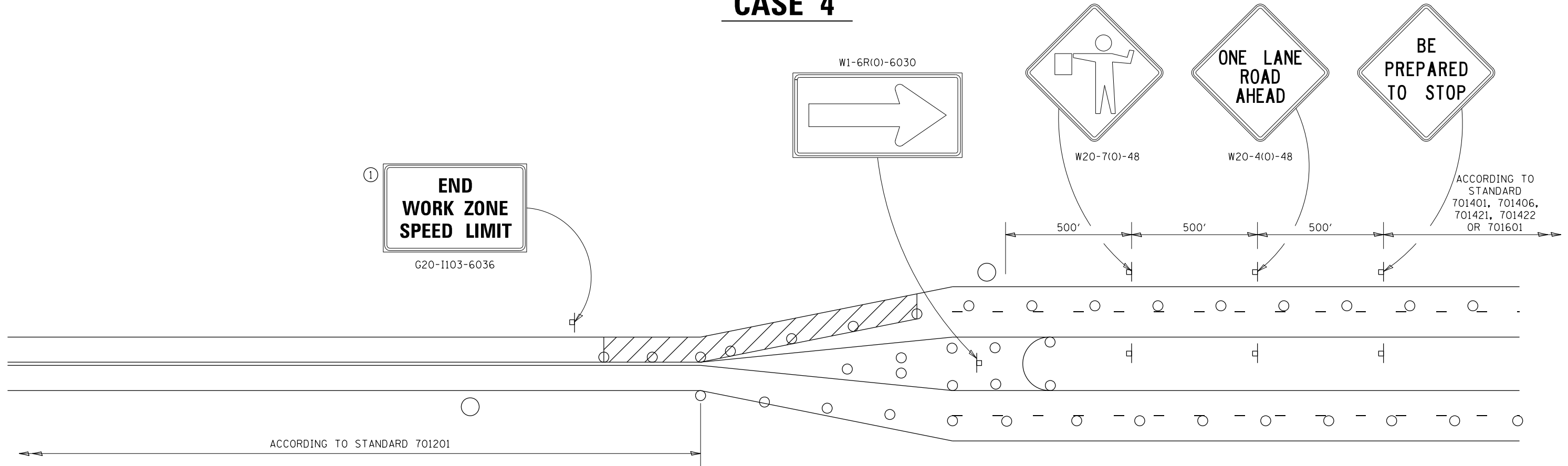
- FLAGGER WITH TRAFFIC CONTROL SIGN
- DRUMS OR BARRICADES WITH LIGHTS
- WORK AREA

NOTE: STANDARDS 701301 AND 701306 SHALL NOT BE USED WITHIN 500 FEET OF THE TRANSITION.

FILE NAME =	USER NAME = dosddd	DESIGNED -	REVISED - 4-20-17	<b>STATE OF ILLINOIS</b> <b>DEPARTMENT OF TRANSPORTATION</b>	<b>REGION 2 / DISTRICT 2 STANDARD</b>	F.A. RT#:	SECTION	COUNTY	TOTAL SHEETS	SHEET NO.	
DRAWN BY: [Name]					SCALE: _____	SHEET NO. ____ OF ____ SHEETS	VAR.	D2 BC 2021-4	VARIOUS	11	10
PLOT SCALE = 100.0000' / in.					REVISED - 8-27-13	STA. _____ TO STA. _____	CONTRACT NO. 64P20				
PLOT DATE = Mar-16-2020 09:07:56 AM				REVISED - 3-05-12	FED. ROAD DIST. NO. _ ILLINOIS FED. AID PROJECT						

# TRAFFIC CONTROL FOR TRANSITION AREAS

## CASE 4



**GENERAL NOTES**  
 THIS DETAIL IS TO BE USED IN CONJUNCTION WITH THE APPLICABLE MULTILANE TRAFFIC CONTROL AND PROTECTION STANDARD.

1. If applicable, Use if shown on applicable multilane Traffic Control and Protection Standard being used.
2. If the work is within 2500 feet of the transition when the speed is > 40 mph, or 1500 feet for all other speeds, the detail shall be used.
3. WORK ZONE SPEED LIMIT 55 SIGN ASSEMBLY shall be replaced with WORK ZONE SPEED LIMIT 45 SIGN ASSEMBLY where the workers are within 500 feet of the transition.

THIS TRAFFIC CONTROL DETAIL SHALL BE INCLUDED IN THE COST OF SPECIFIED TRAFFIC CONTROL STANDARDS OR ITEMS.

- FLAGGER WITH TRAFFIC CONTROL SIGN
- DRUMS OR BARRICADES WITH LIGHTS
- WORK AREA

NOTE: STANDARDS 701301 AND 701306 SHALL NOT BE USED WITHIN 500 FEET OF THE TRANSITION.

FILE NAME =	USER NAME = dosddd	DESIGNED -	REVISED - 4-20-17	<b>STATE OF ILLINOIS</b> <b>DEPARTMENT OF TRANSPORTATION</b>	<b>REGION 2 / DISTRICT 2 STANDARD</b>	F.A. RTE.	SECTION	COUNTY	TOTAL SHEETS	SHEET NO.			
DRAWN					<b>DEPARTMENT OF TRANSPORTATION</b>	SCALE: _____	SHEET NO. _____ OF _____ SHEETS	STA. _____ TO STA. _____	VAR.	D2 BC 2021-4	VARIOUS	11	11
PLOT SCALE = 100.0000' / in.					CHECKED -	REVISED - 8-27-13	CONTRACT NO. 64P20		FED. ROAD DIST. NO. _____ ILLINOIS FED. AID PROJECT				
PLOT DATE = Mar-16-2020 09:08:04 AM				DATE -	REVISED - 3-05-12								