

**STATE OF ILLINOIS**  
**DEPARTMENT OF TRANSPORTATION**  
**DIVISION OF HIGHWAYS**  
**PROPOSED**  
**CONTRACT MAINTENANCE**

FOR INDEX OF SHEETS, SEE SHEET NO. 2

**FAI 55 (I-55)**  
**SECTION (68-3RA)PP**  
**PROJECT CLASS B PATCHES**  
**MONTGOMERY COUNTY**

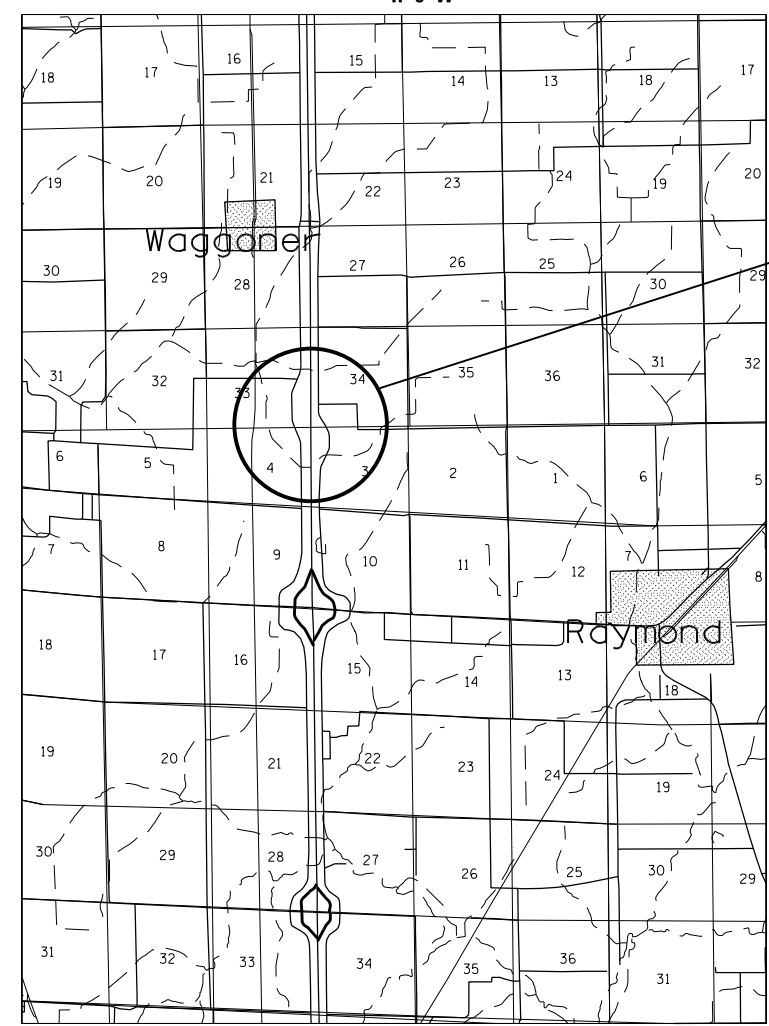
F.A.I. RTE.	SECTION	COUNTY	TOTAL SHEETS	SHEET NO.
55	(68-3RA)PP	MONTGOMERY	6	1
FED. ROAD DIST. NO. -	ILLINOIS	CONTRACT NO. 72M40		

D-96-110-20

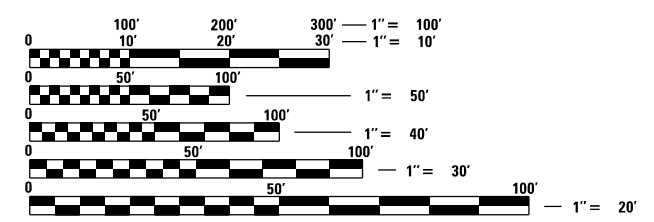


C-96-140-20

R 5 W



COALFIELD REST AREAS



FULL SIZE PLANS HAVE BEEN PREPARED USING STANDARD ENGINEERING SCALES. REDUCED SIZED PLANS WILL NOT CONFORM TO STANDARD SCALES. IN MAKING MEASUREMENTS ON REDUCED PLANS, THE ABOVE SCALES MAY BE USED.

J.U.L.I.E.  
 JOINT UTILITY LOCATION INFORMATION FOR EXCAVATION  
 1-800-892-0123  
 OR 811

PLAN AND CONTRACT TECHNICIAN  
 TIMOTHY SHARP (217)782-7743

CONTRACT NO. 72M40

STATE OF ILLINOIS  
 DEPARTMENT OF TRANSPORTATION  
 DIVISION OF HIGHWAYS

SUBMITTED July 15, 2020

*John P. Meyer*  
 REGION FOUR ENGINEER

August 14, 2020  
*Scott A. Clark*  
 ENGINEER OF DESIGN AND ENVIRONMENT

August 14, 2020  
*James J. Guerin*  
 DIRECTOR OF HIGHWAYS PROJECT IMPLEMENTATION

**PRINTED BY THE AUTHORITY  
 OF THE STATE OF ILLINOIS**

**INDEX**

SHEET NO.	DESCRIPTION
1.	COVER SHEET
2.	INDEX, STANDARDS, SIGNATURES
3.	SUMMARY OF QUANTITIES
4.	SCHEDULES
5.	LOCATION MAP
6.	TYPICAL SECTIONS

**STANDARDS**

STANDARD NO.	DESCRIPTION
442101-09	CLASS B PATCHES
701001-02	OFF-RD OPERATIONS, 2L, 2W, MORE THAN 15' (4.5 m) AWAY
701006-05	OFF-RD OPERATIONS, 2L, 2W, 15' (4.5 m) TO 24' (600 mm) FROM PAVEMENT EDGE
701451-05	RAMP CLOSURE FREEWAY/EXPRESSWAY
701901-08	TRAFFIC CONTROL DEVICES

**STATE OF ILLINOIS  
DEPARTMENT OF TRANSPORTATION  
DIVISION OF HIGHWAYS  
DISTRICT 6**

---

EXAMINED           July 10           20   20  

*[Signature]*

ENGINEER OF OPERATIONS

---

EXAMINED           July 10           20   20  

*[Signature]*

ENGINEER OF PROJECT IMPLEMENTATION

---

EXAMINED           July 10           20   20  

*[Signature]*

ENGINEER OF PROGRAM DEVELOPMENT

REV. - MS

FILE NAME =	USER NAME = SHARPTD	DESIGNED - DMS	REVISED - _____	<b>STATE OF ILLINOIS DEPARTMENT OF TRANSPORTATION</b>	<b>INDEX, STANDARDS, SIGNATURES</b>	F.A.I RTE.	SECTION	COUNTY	TOTAL SHEETS	SHEET NO.
S:\CONTRMAINT_CAD\72M40 - COALFIELD REST	AREA - MONT. CO. PATCHING\PLANS\72M40-sh	DRAWN - DMS	REVISED - _____			55	(68-3RA)PP	MONTGOMERY	6	2
Default	PLOT SCALE = 40.0000' / in.	CHECKED - _____	REVISED - _____			CONTRACT NO. 72M40				
	PLOT DATE = 7/15/2020	DATE - 5-13-2013	REVISED - _____	SCALE: _____ SHEET _____ OF _____ SHEETS STA. _____ TO STA. _____		ILLINOIS FED. AID PROJECT				

CONSTR. CODE  
 0-02175-6020  
 MONTGOMERY  
 ROADWAY  
 0006  
 100% STATE

CODE NO.	ITEM	UNIT	TOTAL QUANTITY	
44213204	TIE BARS 3/4"	EACH	843	843
44200050	WELDED WIRE REINFORCEMENT	SQ YD	1148	1148
44200934	CLASS B PATCHES, TYPE II, 8 INCH	SQ YD	470	470
44200942	CLASS B PATCHES, TYPE III, 8 INCH	SQ YD	136	136
44200944	CLASS B PATCHES, TYPE IV, 8 INCH	SQ YD	708	708
44201299	DOWEL BARS 1 1/2"	EACH	466	466
44213200	SAW CUTS	FOOT	6357	6357
67100100	MOBILIZATION	L.SUM	1	1
70100820	TRAFFIC CONTROL AND PROTECTION, STANDARD 701451	L.SUM	1	1

FILE NAME =	USER NAME = SHARPTD	DESIGNED - DMS	REVISED - _____
S:\CONTRMAINT_CAD\72M40 - COALFIELD REST AREA - MONT. CO. PATCHING\PLANS\72M40-shd	AREA - MONT. CO. PATCHING\PLANS\72M40-shd	DRAWN - DMS	REVISED - _____
Default	PLOT SCALE = 40.0000' / in.	CHECKED - _____	REVISED - _____
	PLOT DATE = 7/15/2020	DATE - 5-13-2013	REVISED - _____

STATE OF ILLINOIS  
 DEPARTMENT OF TRANSPORTATION

SUMMARY OF QUANTITIES

SCALE: \_\_\_\_\_ SHEET \_\_\_\_ OF \_\_\_\_ SHEETS STA. \_\_\_\_\_ TO STA. \_\_\_\_\_

F.A.I RTE.	SECTION	COUNTY	TOTAL SHEETS	SHEET NO.
55	(68-3RA)PP	MONTGOMERY	6	3
				CONTRACT NO. 72M40
ILLINOIS FED. AID PROJECT				

LENGTH	WIDTH	AREA	CLASS B, 8 INCH			SAW CUTS	TIE BARS 3/4"	DOWEL BARS 1 1/4"	WELDED WIRE REINF.
			TY II	TY III	TY IV				
(FT)	(FT)	(S.Y.)	(S.Y.)	(S.Y.)	(S.Y.)	(FT)	(EA.)	(EA.)	(S.Y.)
<b>COALFIELD REST AREA NB PATCHES</b>									
6	6	4.0	4.0	--	--	36.0	--	8	--
16	6	10.7	10.7	--	--	66.0	--	8	--
16	6	10.7	10.7	--	--	66.0	--	8	--
26	17	49.1	--	--	49.1	129.0	16	30	49.1
13	17	24.6	--	24.6	--	90.0	--	30	24.6
8	16	14.2	14.2	--	--	72.0	--	28	--
71	8	63.1	--	--	63.1	237.0	46	12	63.1
12	17	22.7	--	22.7	--	87.0	--	30	22.7
6	16	10.7	10.7	--	--	66.0	--	28	--
16	8	14.2	14.2	--	--	72.0	--	12	--
8	6	5.3	5.3	--	--	42.0	--	8	--
56	8	49.8	--	--	49.8	192.0	36	12	49.8
16	6	10.7	10.7	--	--	66.0	--	8	--
6	6	4.0	4.0	--	--	36.0	--	8	--
6	6	4.0	4.0	--	--	36.0	--	8	--
16	6	10.7	10.7	--	--	66.0	--	8	--
6	8	5.3	5.3	--	--	42.0	--	12	--
6	6	4.0	4.0	--	--	36.0	--	8	--
41	16	72.9	--	--	72.9	171.0	26	28	72.9
6	16	10.7	10.7	--	--	66.0	--	28	--
26	16	46.2	--	--	46.2	126.0	16	28	46.2
7	6	4.7	4.7	--	--	39.0	--	8	--
10	12	13.3	13.3	--	--	66.0	--	20	--
14	6	9.3	--	--	--	60.0	--	8	--
6	6	4.0	--	--	--	36.0	--	8	--
16	6	10.7	--	--	--	66.0	--	8	--
16	12	21.3	--	21.3	--	84.0	--	20	21.3
16	6	10.7	--	--	--	66.0	--	8	--
24	16	42.7	--	--	42.7	120.0	16	28	42.7
23	21	53.7	--	--	53.7	132.0	14	38	53.7
<b>N.B. TOTALS:</b>			137.1	68.6	377.4	2469.0	170.0	496.0	446.0

LENGTH	WIDTH	AREA	CLASS B, 8 INCH			SAW CUTS	TIE BARS 3/4"	DOWEL BARS 1 1/4"	WELDED WIRE REINF.
			TY II	TY III	TY IV				
(FT)	(FT)	(S.Y.)	(S.Y.)	(S.Y.)	(S.Y.)	(FT)	(EA.)	(EA.)	(S.Y.)
<b>COALFIELD REST AREA SB PATCHES</b>									
8	6	5.3	5.3	--	--	42.0	--	8	--
15	16	26.7	--	--	26.7	93.0	--	28	26.7
16	17	30.2	--	--	30.2	99.0	--	30	30.2
16	6	10.7	10.7	--	--	66.0	--	8	--
6	16	10.7	10.7	--	--	66.0	--	28	--
6	16	10.7	10.7	--	--	66.0	--	28	--
6	6	4.0	4.0	--	--	36.0	--	8	--
8	6	5.3	5.3	--	--	42.0	--	8	--
8	11	9.8	9.8	--	--	57.0	--	18	--
8	6	5.3	5.3	--	--	42.0	--	8	--
16	6	10.7	10.7	--	--	66.0	--	8	--
6	6	4.0	4.0	--	--	36.0	--	8	--
16	6	10.7	10.7	--	--	66.0	--	8	--
44	6	29.3	--	--	29.3	150.0	28	8	29.3
10	6	6.7	6.7	--	--	48.0	--	8	--
8	6	5.3	5.3	--	--	42.0	--	8	--
27	6	18.0	--	18.0	--	99.0	18	8	18.0
7	6	4.7	4.7	--	--	39.0	--	8	--
12	11	14.7	14.7	--	--	69.0	--	18	--
23	7	17.9	--	17.9	--	90.0	14	10	17.9
51	6	34.0	--	--	34.0	171.0	34	8	34.0
55	6	36.7	--	--	36.7	183.0	36	8	36.7
6	6	4.0	4.0	--	--	36.0	--	8	--
7	6	4.7	4.7	--	--	39.0	--	8	--
59	6	39.3	--	--	39.3	195.0	38	8	39.3
23	6	15.3	--	15.3	--	87.0	14	8	15.3
16	6	10.7	10.7	--	--	66.0	--	8	--
21	14	32.7	--	--	32.7	105.0	14	24	32.7
21	14	32.7	--	--	32.7	105.0	14	24	32.7
8	6	5.3	5.3	--	--	42.0	--	8	--
20	6	13.3	13.3	--	--	78.0	12	8	--
20	6	13.3	13.3	--	--	78.0	18	8	--
6	6	4.0	4.0	--	--	36.0	--	8	--
6	6	4.0	4.0	--	--	36.0	--	8	--
44	6	29.3	--	--	29.3	150.0	28	8	29.3
10	14	15.6	--	15.6	--	72.0	--	24	15.6
19	6	12.7	12.7	--	--	75.0	--	8	--
6	6	4.0	4.0	--	--	36.0	--	8	--
6	6	4.0	4.0	--	--	36.0	--	8	--
9	6	6.0	6.0	--	--	45.0	--	8	--
16	8	14.2	14.2	--	--	72.0	--	12	--
6	6	6.0	6.0	--	--	36.0	--	8	--
14	6	9.3	9.3	--	--	60.0	--	8	--
22	16	39.1	--	--	39.1	114.0	14	28	39.1
6	6	4.0	4.0	--	--	36.0	--	8	--
6	6	4.0	4.0	--	--	36.0	--	8	--
16	6	10.7	10.7	--	--	66.0	--	8	--
12	6	8.0	8.0	--	--	54.0	--	8	--
16	8	14.2	14.2	--	--	72.0	--	12	--
6	6	4.0	4.0	--	--	36.0	--	8	--
17	6	11.3	11.3	--	--	69.0	--	8	--
10	12	13.3	13.3	--	--	66.0	--	20	--
6	6	4.0	4.0	--	--	36.0	--	8	--
22	6	14.7	14.7	--	--	84.0	14	8	--
<b>S.B. TOTALS:</b>			332.9	66.8	330.0	3888.0	296.0	652.0	396.8
<b>TOTAL NB &amp; SB</b>			470.0	135.3	707.4	6357.0	466.0	1148.0	842.8

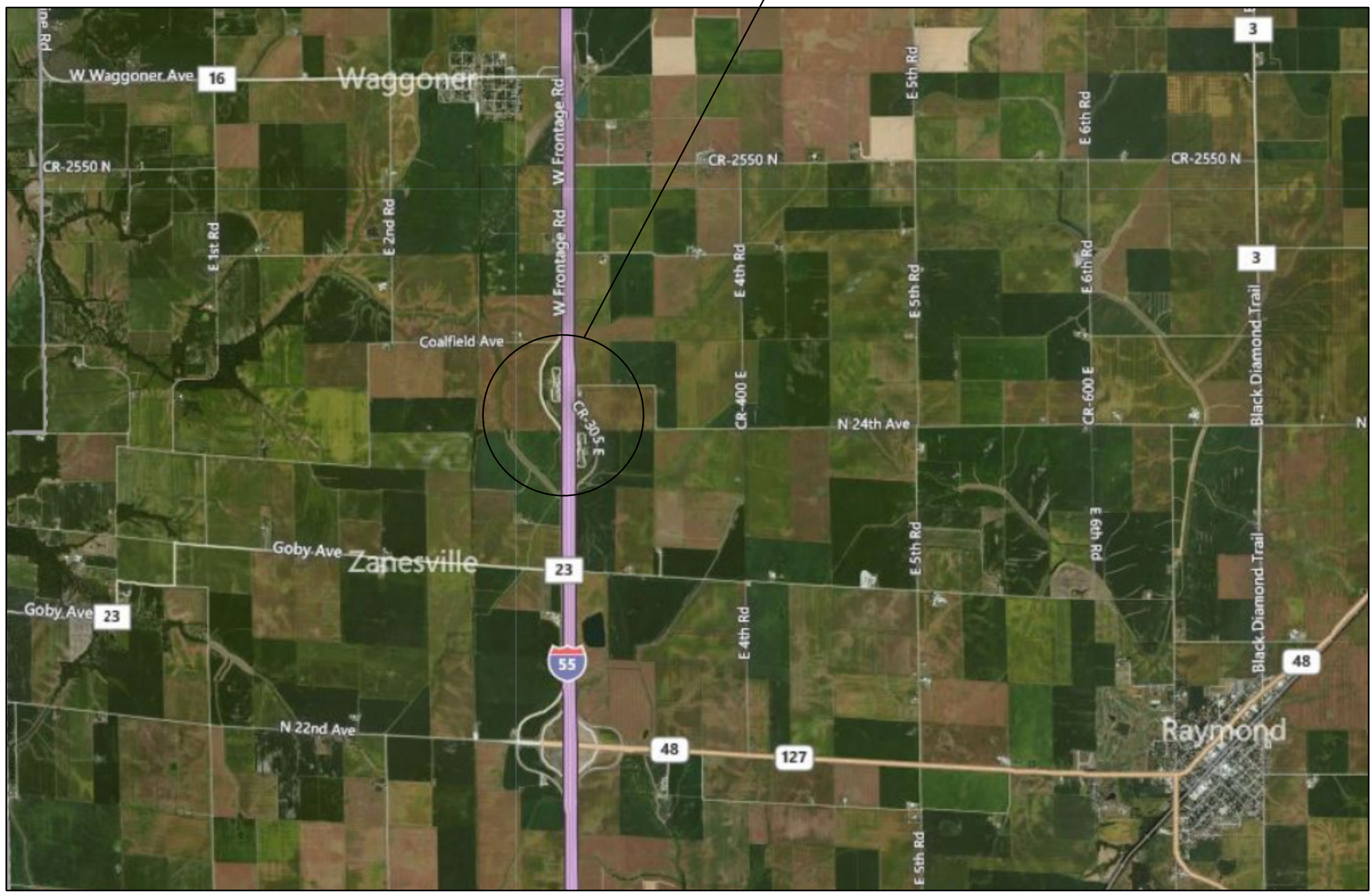
FILE NAME = S:\CONTRMAINT_CAD\72M40 - COALFIELD REST AREA - MONT. CO. PATCHING\PLANS\72M40-sh.dwg	USER NAME = SHARPTD	DESIGNED - DMS	REVISED - _____
Default	PLOT SCALE = 40.0000' / in.	CHECKED - _____	REVISED - _____
	PLOT DATE = 7/15/2020	DATE - 5-13-2013	REVISED - _____

**STATE OF ILLINOIS  
DEPARTMENT OF TRANSPORTATION**

<b>SCHEDULES</b>	
SCALE: _____	SHEET ____ OF ____ SHEETS
STA. _____	TO STA. _____

F.A.I. RTE.	SECTION	COUNTY	TOTAL SHEETS	SHEET NO.
55	(6B-3RA)PP	MONTGOMERY	6	3
CONTRACT NO. 72M40			ILLINOIS FED. AID PROJECT	

COALFIELD REST AREAS

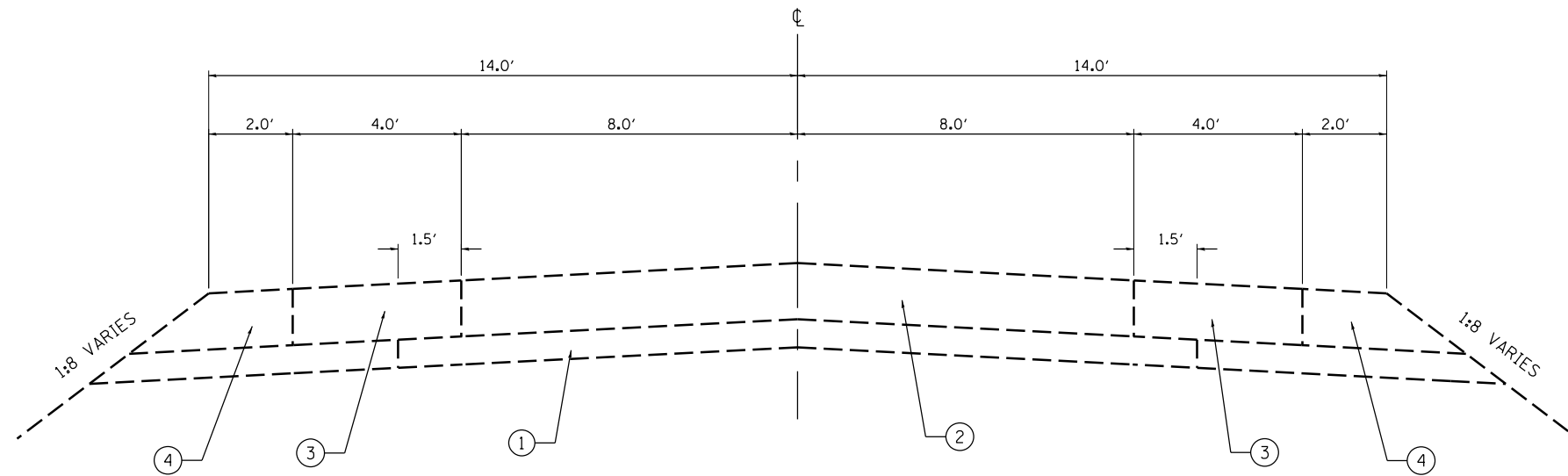


FILE NAME =	USER NAME = SHARPTD	DESIGNED - _____	REVISED - _____
S:\CONTRMNT_CAD\72M40 - COALFIELD REST AREA - MONT. CO. PATCHING\PLANS\72M40-shr	5-DRAWN Location: QMS	CHECKED - _____	REVISED - _____
Default	PLOT SCALE = 0.416667' / 1 in.	DATE - 5-13-2013	REVISED - _____
	PLOT DATE = 7/15/2020		

**STATE OF ILLINOIS  
DEPARTMENT OF TRANSPORTATION**

<b>PROJECT LOCATION</b>	
SCALE: _____	SHEET ____ OF ____ SHEETS STA. _____ TO STA. _____

F.A.I. RTE.	SECTION	COUNTY	TOTAL SHEETS	SHEET NO.
55	(68-3RA)PP	MONTGOMERY	6	5
CONTRACT NO. 72M40				
ILLINOIS FED. AID PROJECT				



COALFIELD REST AREA

LEGEND

- ① EXISTING STABILIZED SUB-BASE, 4"
- ② EXISTING S.R.P.C.C PAVEMENT, 8"
- ③ EXISTING BITUMINOUS SHOULDERS
- ④ EXISTING AGGREGATE SHOULDERS

NOTE

- 1.) TYPICAL SECTION AND ITS DATA TAKEN FROM ARCHIVES

FILE NAME = S:\CONTRMAINT_CAD\72M40 - COALFIELD REST AREA - MONT. CO. PATCHING\PLANS\72M40-shd-DRAWN1.dgn	USER NAME = SHARPTD	DESIGNED - _____	REVISED - _____
		CHECKED - _____	REVISED - _____
		DATE - 5-13-2013	REVISED - _____

**STATE OF ILLINOIS  
DEPARTMENT OF TRANSPORTATION**

<b>TYPICAL SECTIONS</b>	
SCALE: _____	SHEET ____ OF ____ SHEETS
STA. _____ TO STA. _____	

F.A.I. RTE.	SECTION	COUNTY	TOTAL SHEETS	SHEET NO.
55	(68-3RS)PP	MONTGOMERY	6	6
CONTRACT NO. 72M40				
ILLINOIS FED. AID PROJECT				