

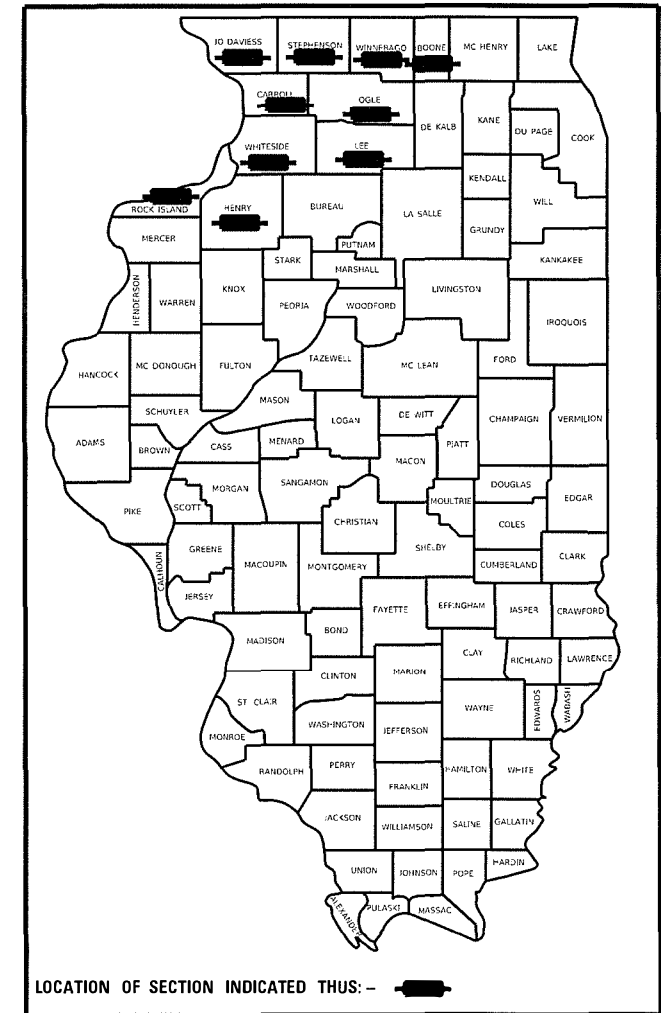
STATE OF ILLINOIS
DEPARTMENT OF TRANSPORTATION

F.A. RTE.	SECTION	COUNTY	TOTAL SHEETS	SHEET NO.
VAR. D2 HT PVMNT MRK RPR 21-04		VARIOUS	7	1
		ILLINOIS	CONTRACT NO. 46551	

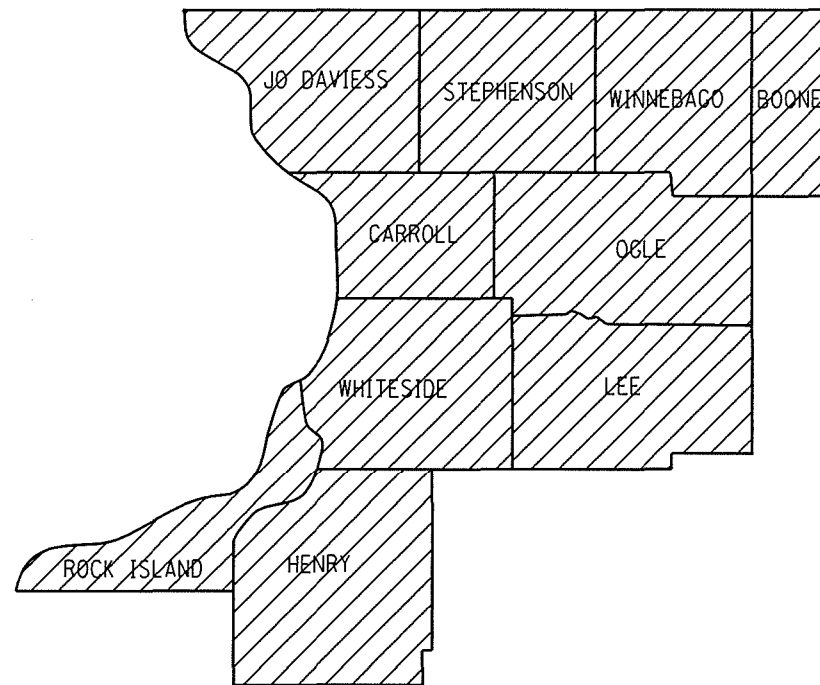
FOR INDEX OF SHEETS, SEE SHEET NO. 2
FOR STATE STANDARDS, SEE SHEET NO. 2

PROPOSED
HIGHWAY PLANS

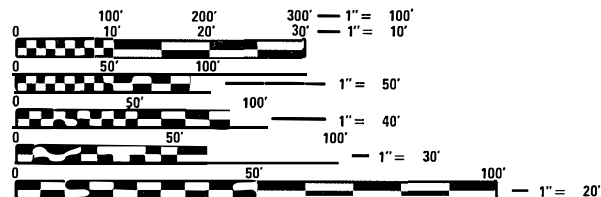
VARIOUS ROUTES
SECTION D2 HT PVMNT MRK RPR 21-04
HIGH TYPE PAVEMENT MARKING
VARIOUS COUNTIES



M-60-004-21



LOCATION OF SECTION INDICATED THIS: - [hatched pattern]



FULL SIZE PLANS HAVE BEEN PREPARED USING STANDARD ENGINEERING SCALES. REDUCED SIZED PLANS WILL NOT CONFORM TO STANDARD SCALES. IN MAKING MEASUREMENTS ON REDUCED PLANS, THE ABOVE SCALES MAY BE USED.

J.U.L.I.E.
JOINT UTILITY LOCATION INFORMATION FOR EXCAVATION
1-800-892-0123
OR 811

PROJECT ENGINEER: TROY EBENEZER (815) 284-5491
PROJECT MANAGER: KRISTIE NYDEREK (815) 284-5469

CONTRACT NO. 46551

STATE OF ILLINOIS
DEPARTMENT OF TRANSPORTATION

SUBMITTED July 01, 2020

[Signature]
REGIONAL ENGINEER

August 14, 2020

[Signature]
ENGINEER OF DESIGN AND ENVIRONMENT

August 14, 2020

[Signature]
DIRECTOR OF HIGHWAYS PROJECT IMPLEMENTATION 13

PRINTED BY THE AUTHORITY
OF THE STATE OF ILLINOIS

INDEX OF SHEETS

- 1 COVER SHEET
- 2 INDEX OF SHEETS & STATE STANDARDS
- 3 SUMMARY OF QUANTITIES
- 4-6 TYPICAL PAVEMENT MARKINGS (41.1)
- 7 PAINTING DETAILS (44.1)

STATE STANDARDS

- 701311-03 LANE CLOSURE, 2L2W, MOVING OPERATION, DAY ONLY
- 701400-09 APPROACH TO LANE CLOSURE, FREEWAY/EXPRESSWAY
- 701406-12 LANE CLOSURE, FREEWAY/EXPRESSWAY, DAY OPERATIONS ONLY
- 701426-09 LANE CLOSURE, MULTI-LANE, INTERMITTANT/MOVING OPER, FOR SPEEDS \geq 45 MPH
- 701427-05 LANE CLOSURE, MULTI-LANE, INTERMITTANT/MOVING OPER, FOR SPEEDS \leq 45 MPH
- 701501-06 URBAN LANE CLOSURE, 2L2W, UNDIVIDED
- 701901-08 TRAFFIC CONTROL DEVICES
- 780001-05 TYPICAL PAVEMENT MARKINGS

MODEL: Default
 FILE NAME: P:\Users\Strupm\2021\46551\Contract Forms\Contract Submittal\46551_plans.dwg

USER NAME = ebenezertg PLOT SCALE = 100.0000' / in. PLOT DATE = Jul-01-2020 12:20:55 PM	DESIGNED - _____ DRAWN - _____ CHECKED - _____ DATE - _____	REVISED - _____ REVISED - _____ REVISED - _____ REVISED - _____	STATE OF ILLINOIS DEPARTMENT OF TRANSPORTATION	INDEX OF SHEETS & STATE STANDARDS	<table border="1" style="width: 100%; border-collapse: collapse;"> <tr> <td style="font-size: small;">F.A. RTE</td> <td style="font-size: small;">SECTION</td> <td style="font-size: small;">COUNTY</td> <td style="font-size: small;">TOTAL SHEETS</td> <td style="font-size: small;">SHEET NO.</td> </tr> <tr> <td style="font-size: x-small;">VAR. D2 HT PVMNT MRK RPR 21-04</td> <td style="font-size: x-small;">VARIOUS</td> <td style="font-size: x-small;">ILLINOIS</td> <td style="font-size: x-small;">2</td> <td style="font-size: x-small;">2</td> </tr> <tr> <td colspan="5" style="font-size: x-small; text-align: right;">CONTRACT NO. 46551</td> </tr> <tr> <td colspan="5" style="font-size: x-small; text-align: right;">ILLINOIS FED. AID PROJECT</td> </tr> </table>	F.A. RTE	SECTION	COUNTY	TOTAL SHEETS	SHEET NO.	VAR. D2 HT PVMNT MRK RPR 21-04	VARIOUS	ILLINOIS	2	2	CONTRACT NO. 46551					ILLINOIS FED. AID PROJECT				
F.A. RTE	SECTION	COUNTY	TOTAL SHEETS	SHEET NO.																					
VAR. D2 HT PVMNT MRK RPR 21-04	VARIOUS	ILLINOIS	2	2																					
CONTRACT NO. 46551																									
ILLINOIS FED. AID PROJECT																									
			SCALE: _____ SHEET _____ OF _____ SHEETS STA. _____ TO STA. _____																						

SUMMARY OF QUANTITIES

PAYCODE	ITEM DESCRIPTION	UNITS	CONSTR. CODE 0021	
			TOTAL QUANTITY	PAVEMENT MARKING 100% STATE
X0327979	PAVT MRKG REM GRIND	SQ FT	400,000	400,000
Z0008758	AERIAL SPEED CHK MK	FOOT	250	250
78000100	THPL PVT MK LTR & SYM	SQ FT	400	400
78000200	THPL PVT MK LINE 4	FOOT	25,000	25,000
78000400	THPL PVT MK LINE 6	FOOT	200	200
78000500	THPL PVT MK LINE 8	FOOT	1,500	1,500
78000600	THPL PVT MK LINE 12	FOOT	1,500	1,500
78000650	THPL PVT MK LINE 24	FOOT	250	250
78009000	MOD URETH PM LTR-SYM	SQ FT	20,000	20,000
78009004	MOD URETH PM LINE 4	FOOT	1,500,000	1,500,000
78009006	MOD URETH PM LINE 6	FOOT	45,000	45,000
78009008	MOD URETH PM LINE 8	FOOT	70,000	70,000
78009012	MOD URETH PM LINE 12	FOOT	45,000	45,000
78009024	MOD URETH PM LINE 24	FOOT	10,500	10,500

MODEL: default
FILE NAME: P:\I\K\5\Summary\2021\46551\Contract Forms\Contract_Submit\46551_ibans.dgn

USER NAME = ebenezertg	DESIGNED - _____	REVISED - _____
	DRAWN - _____	REVISED - _____
PLOT SCALE = 100.0000' / IN.	CHECKED - _____	REVISED - _____
PLOT DATE = Jul-01-2020 12:20:39 PM	DATE - _____	REVISED - _____

**STATE OF ILLINOIS
DEPARTMENT OF TRANSPORTATION**

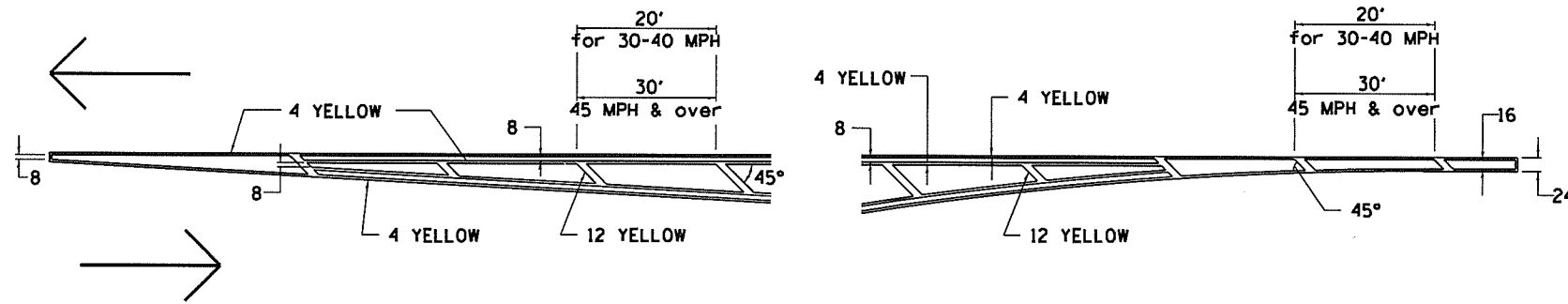
SUMMARY OF QUANTITIES

SCALE: _____ SHEET _____ OF _____ SHEETS STA. _____ TO STA. _____

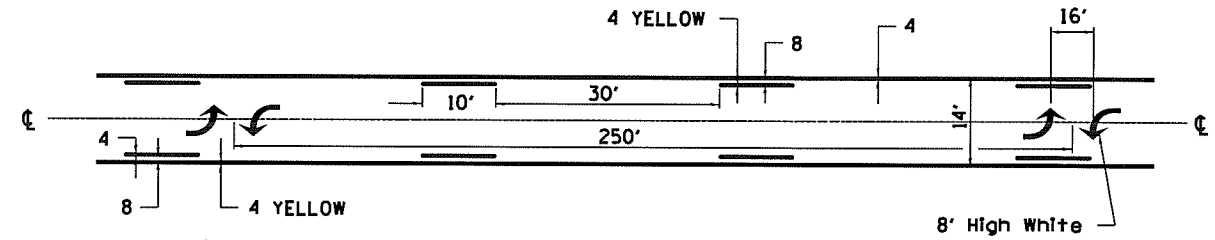
F.A. RTE.	SECTION	COUNTY	TOTAL SHEETS	SHEET NO.
VAR. D2 HT PVMNT MRK RPR 21-04	VARIOUS		3	3
CONTRACT NO. 46551			ILLINOIS FED. AID PROJECT	

TYPICAL PAVEMENT MARKINGS

TYPICAL PAVEMENT MARKING FOR FLUSH MEDIAN AT LEFT TURN LANE

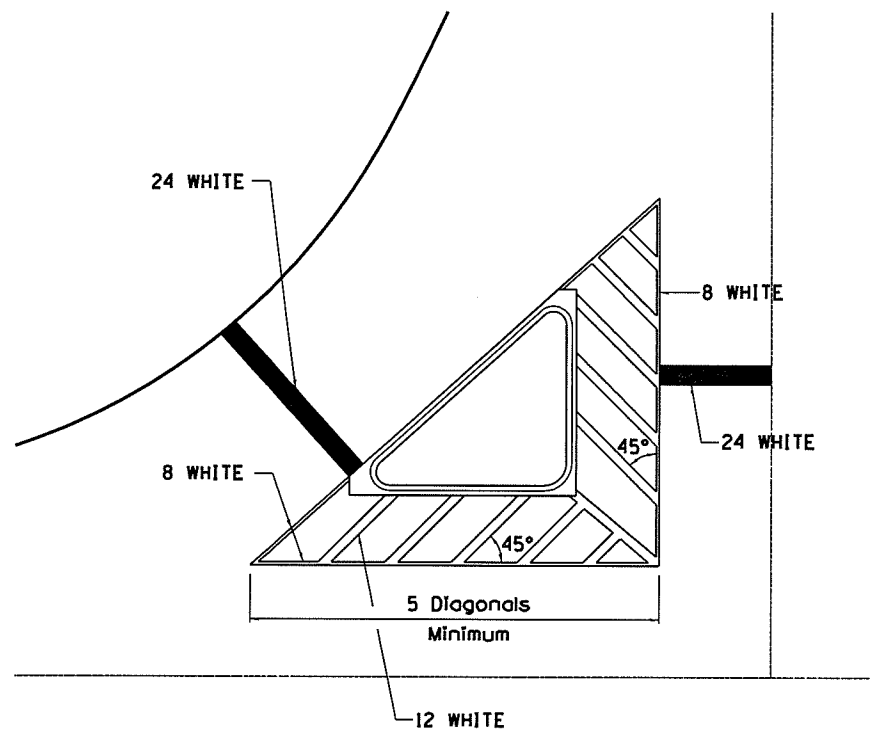


MEDIAN PAVEMENT MARKING



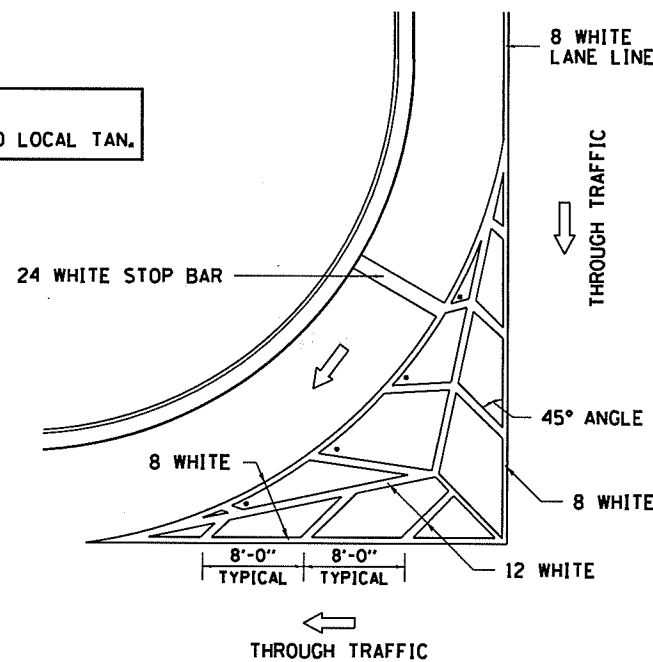
•• ALL DIMENSIONS ARE IN INCHES UNLESS OTHERWISE NOTED.

TYPICAL ISLAND OFFSET SHOULDER WIDTH



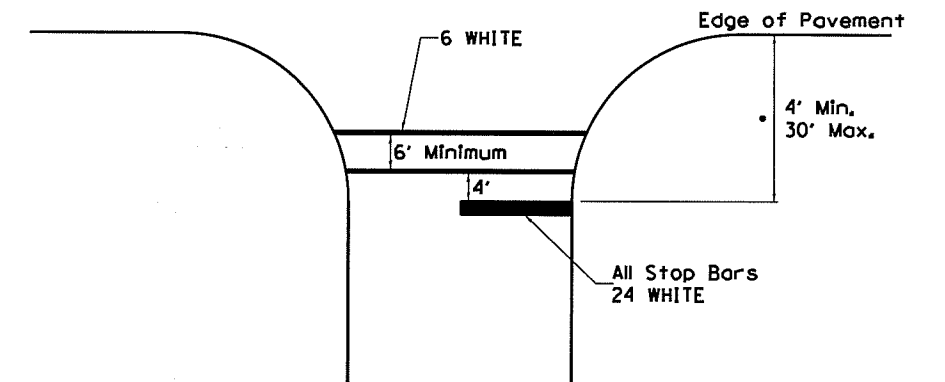
TYPICAL MARKING FOR PAINTED ISLANDS

NOTE:
* 45° TO LOCAL TAN.



STANDARD CROSSWALK MARKING

See Schedules for Locations

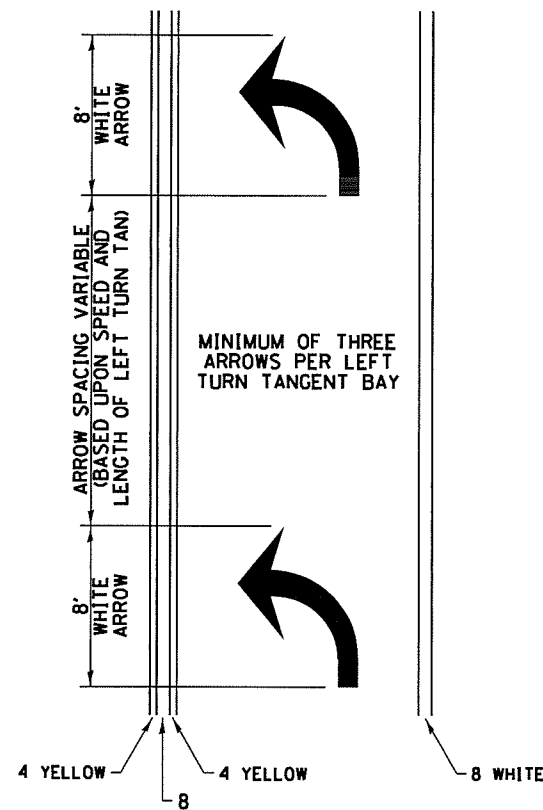


• Distance to the nearest edge of the intersecting roadway in the absence of a marked crosswalk.

FILE NAME * District 2 Standard	USER NAME * I001/District 2	DESIGNED -	REVISED - 6-27-14	STATE OF ILLINOIS DEPARTMENT OF TRANSPORTATION	REGION 2 / DISTRICT 2 STANDARD				F.A. RTE.	SECTION	COUNTY	TOTAL SHEETS	SHEET NO.
		DRAWN -	REVISED - 3-05-12		SCALE:	SHEET NO.	OF SHEETS	STA.	TO STA.	CONTRACT NO.			
		CHECKED -	REVISED -		FED. ROAD DIST. NO. ILLINOIS FED. AID PROJECT								
		DATE -	REVISED -										

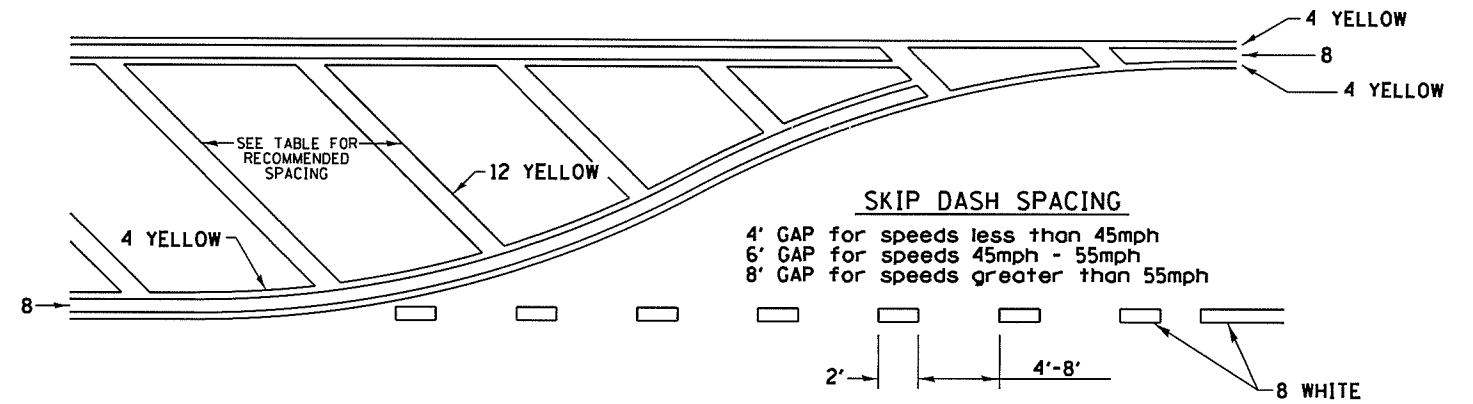
TYPICAL PAVEMENT MARKINGS

ARROW LAYOUT



ALL DIMENSIONS ARE IN INCHES UNLESS OTHERWISE NOTED.

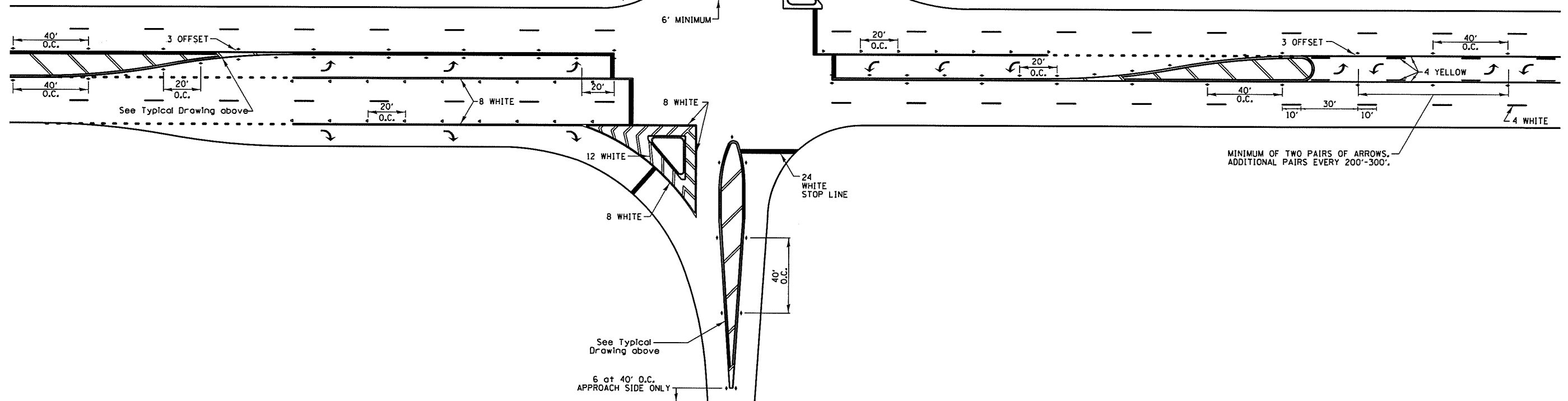
TYPICAL PAVEMENT MARKING FOR FLUSH MEDIAN



RECOMMENDED SPACING BETWEEN DIAGONALS (IN FEET)

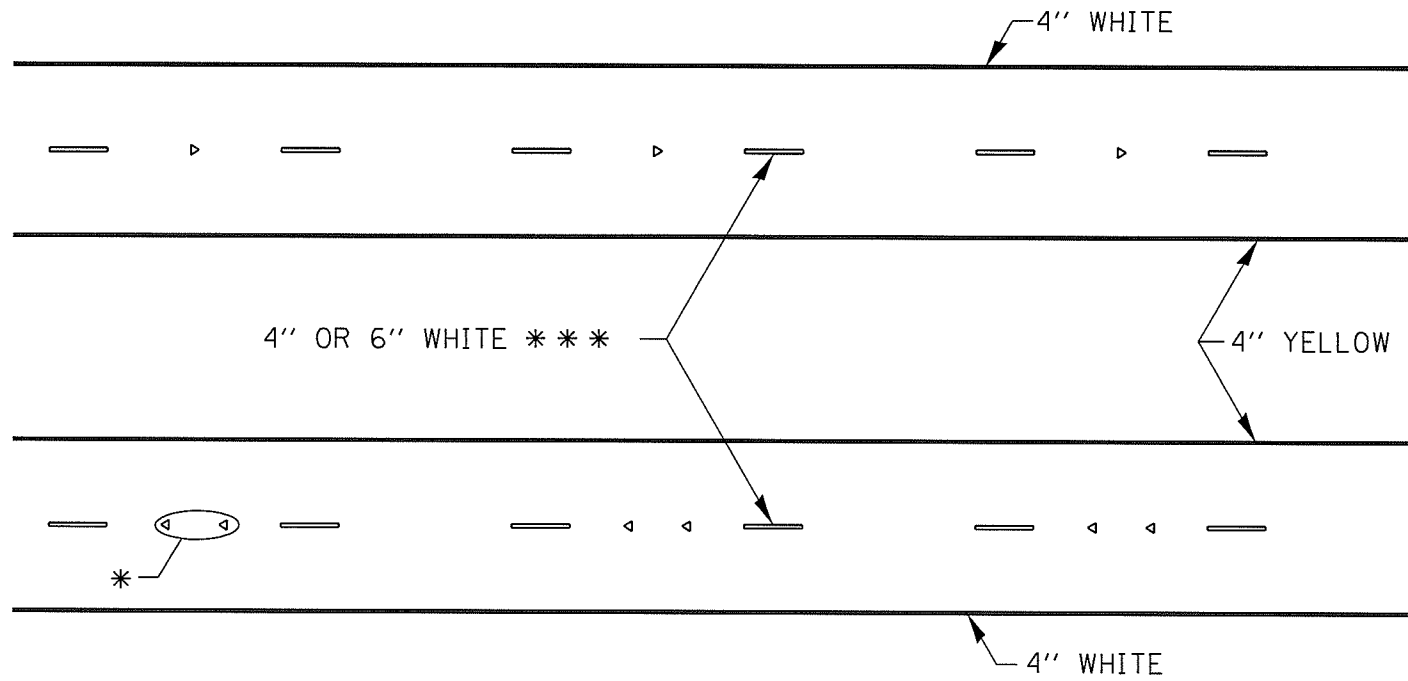
Speed Limit Range	Continuous Median Area	Intersection Channelization	Objects (Islands)
less than 30MPH	50'	15'	10'
30-40MPH	75'	20'	15'
45MPH & over	75'	30'	20'

NOTE: if the spacing recommended in the Table does not permit at least five diagonal lines in the area being marked, the spacing from the next lowest speed range should be used. The recommended spacing is measured parallel to the pavement center line.



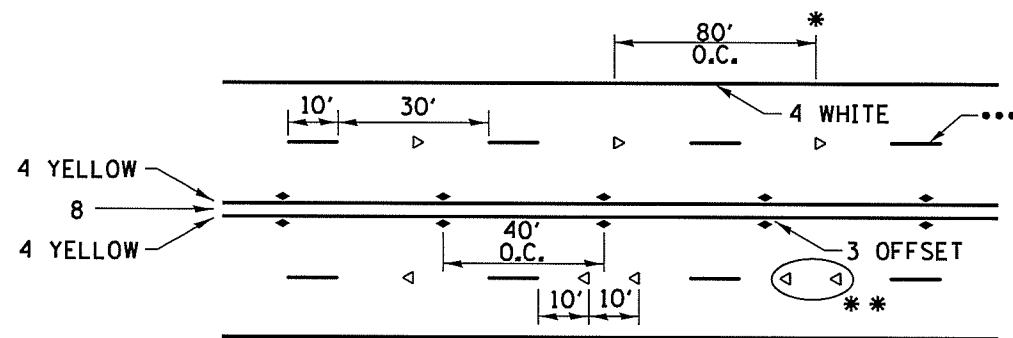
FILE NAME District 2 Standard	USER NAME 100T/District 2	DESIGNED - DRAWN -	REVISED - 6-27-14 REVISED - 3-05-12	STATE OF ILLINOIS DEPARTMENT OF TRANSPORTATION	REGION 2 / DISTRICT 2 STANDARD				F.A. RTE.	SECTION	COUNTY	TOTAL SHEETS	SHEET NO.
	PLOT SCALE 3/8" = 1'	CHECKED -	REVISED -		SCALE:	SHEET NO.	OF SHEETS	STA.	TO STA.	CONTRACT NO.			
	PLOT DATE 4/17/2019	DATE -	REVISED -								FED. ROAD DIST. NO. ILLINOIS FED. AID PROJECT		
TYPICAL PAVEMENT MARKINGS SHEET 2 OF 3 41.1													

TYPICAL PAVEMENT MARKINGS



* SEE HIGHWAY STANDARD 781001 FOR SPACING DETAILS.
USE DOUBLE MARKERS WHEN ADT > 20,000.

MULTI-LANE / DIVIDED



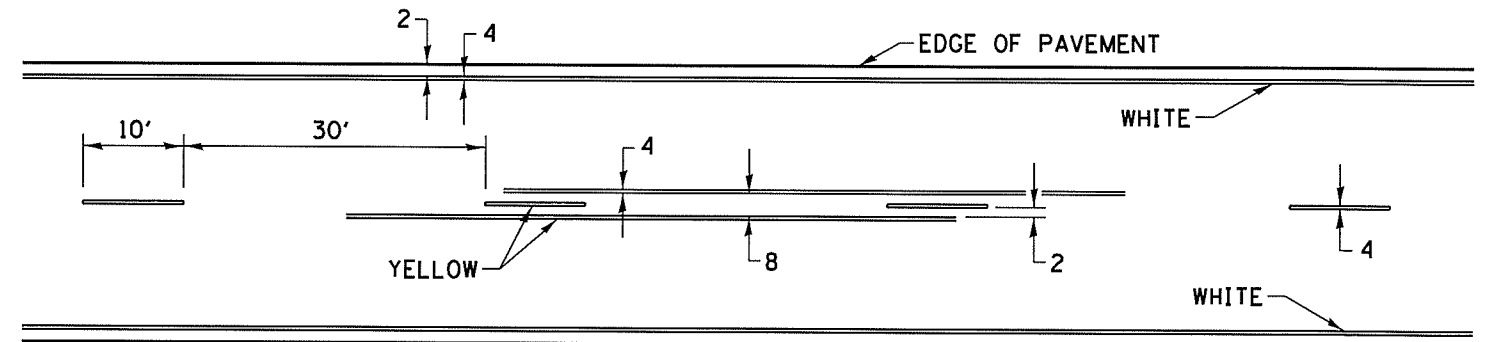
- REDUCE TO 40' O.C. ON CURVES WHERE ADVISORY SPEEDS ARE 10 MPH LOWER THAN POSTED SPEEDS.
- USE DOUBLE MARKERS WHEN ADT ≥ 20,000
- CENTERLINE SKIP DASH PAVEMENT MARKING SPEED LIMIT LESS THAN 40 MPH USE 4" LINE. SPEED LIMIT 40 MPH AND OVER USE 6" LINE.

MULTI-LANE / UNDIVIDED & ONE WAY

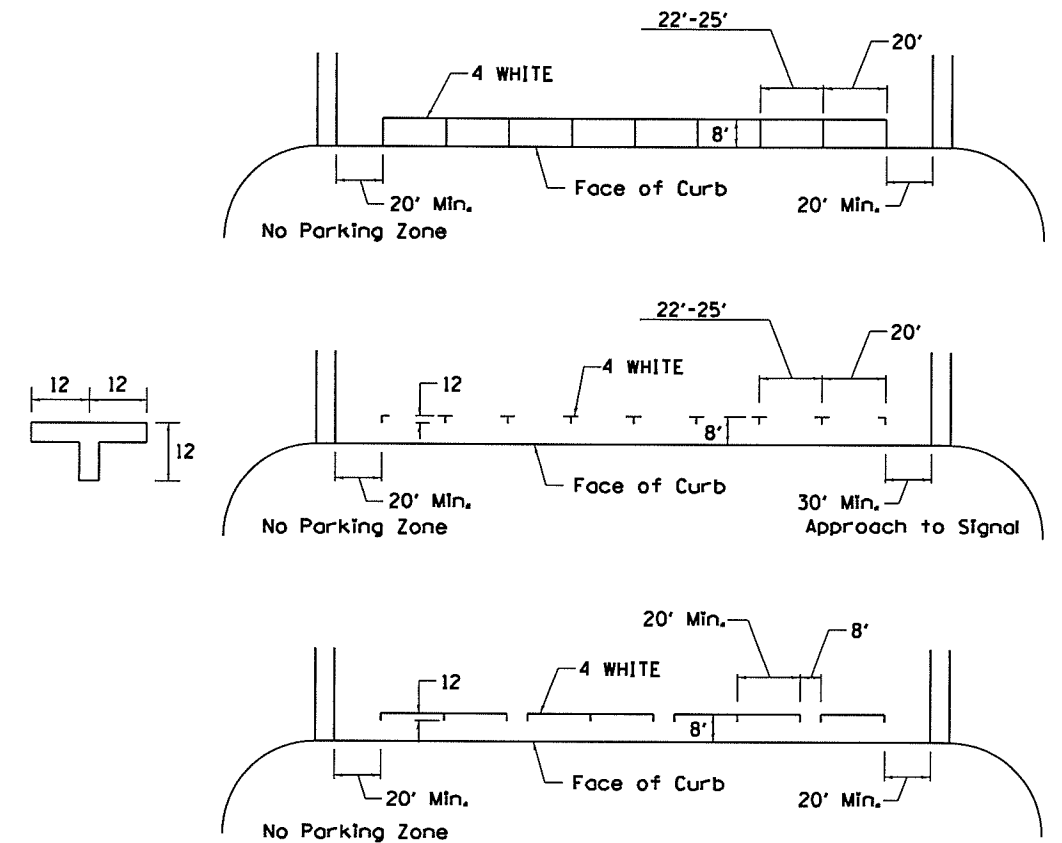
(FOR MULTI-LANE UNDIVIDED HIGHWAYS USE THIS
DETAIL NOT HIGHWAY STANDARD 781001)

SYMBOLS

TYPICAL PAVEMENT MARKING FOR TWO LANE SECTION - NO PASSING ZONES



TYPICAL PARKING SPACING

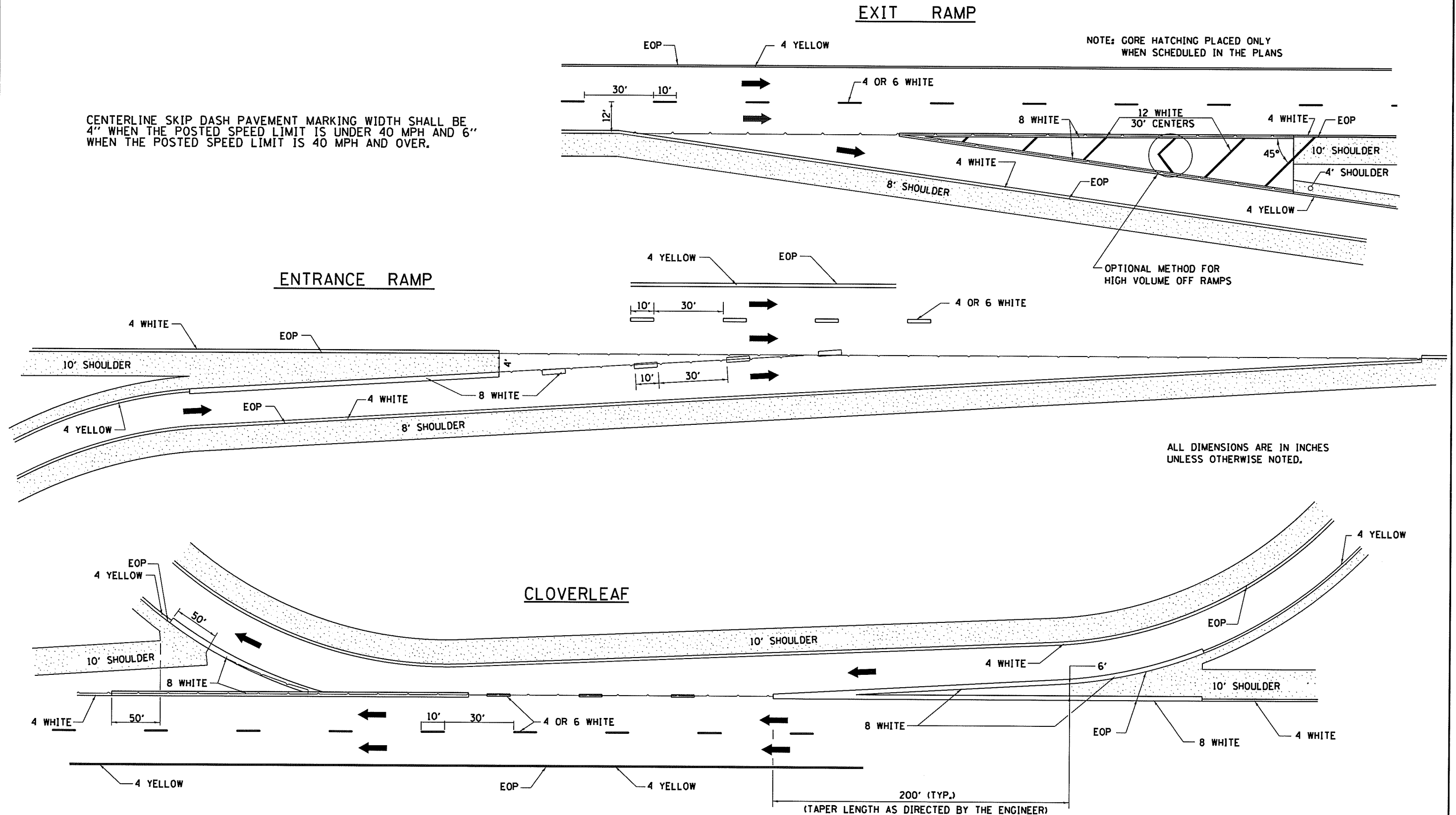


FILE NAME * District 2 Standard	USER NAME = 100T/District 2	DESIGNED -	REVISED - 6-27-14	STATE OF ILLINOIS DEPARTMENT OF TRANSPORTATION	REGION 2 / DISTRICT 2 STANDARD			F.A. RTE.	SECTION	COUNTY	TOTAL SHEETS	SHEET NO.
		DRAWN -	REVISED - 8-27-13					SCALE: SHEET NO. OF SHEETS STA. TO STA.			CONTRACT NO.	
		CHECKED -	REVISED - 11-28-12		FED. ROAD DIST. NO. ILLINOIS FED. AID PROJECT							
		DATE -	REVISED -									

PAINTING DETAILS

CENTERLINE SKIP DASH PAVEMENT MARKING WIDTH SHALL BE 4" WHEN THE POSTED SPEED LIMIT IS UNDER 40 MPH AND 6" WHEN THE POSTED SPEED LIMIT IS 40 MPH AND OVER.

NOTE: GORE HATCHING PLACED ONLY WHEN SCHEDULED IN THE PLANS



FILE NAME = District 2 Standard	USER NAME = 1007/District 2	DESIGNED -	REVISED - 8-27-13	STATE OF ILLINOIS DEPARTMENT OF TRANSPORTATION	REGION 2 / DISTRICT 2 STANDARD			F.A. RTE.	SECTION	COUNTY	TOTAL SHEETS	SHEET NO.
		DRAWN -	REVISED - 10-18-11									
		CHECKED -	REVISED -									
		DATE -	REVISED -									
							SCALE:	SHEET NO.	OF	SHEETS	STA.	TO STA.
							CONTRACT NO.					
							FED. ROAD DIST. NO. ILLINOIS FED. AID PROJECT					