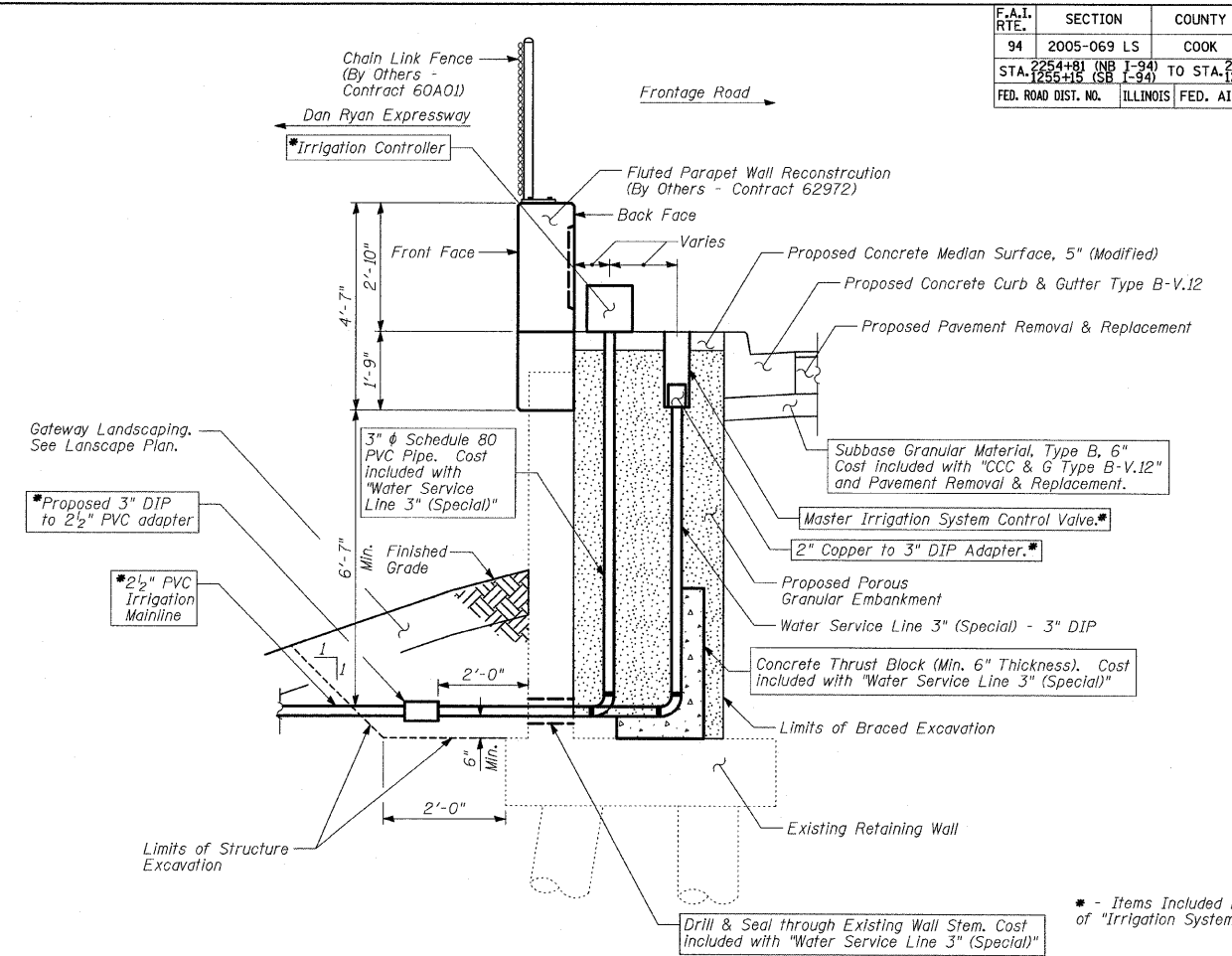
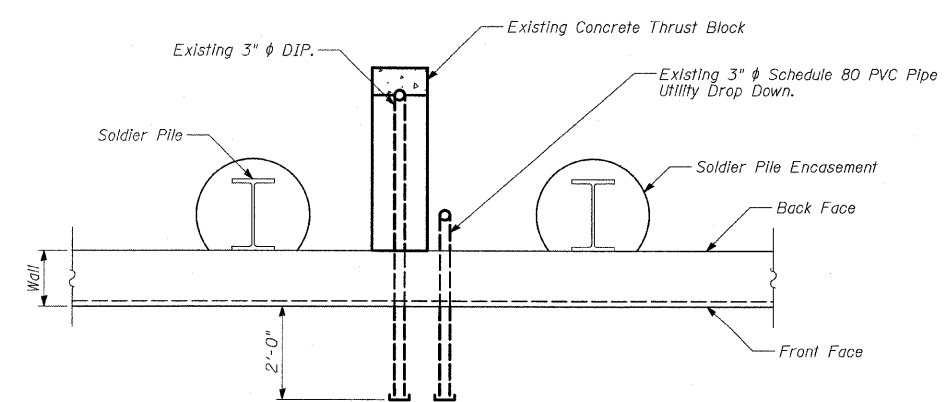


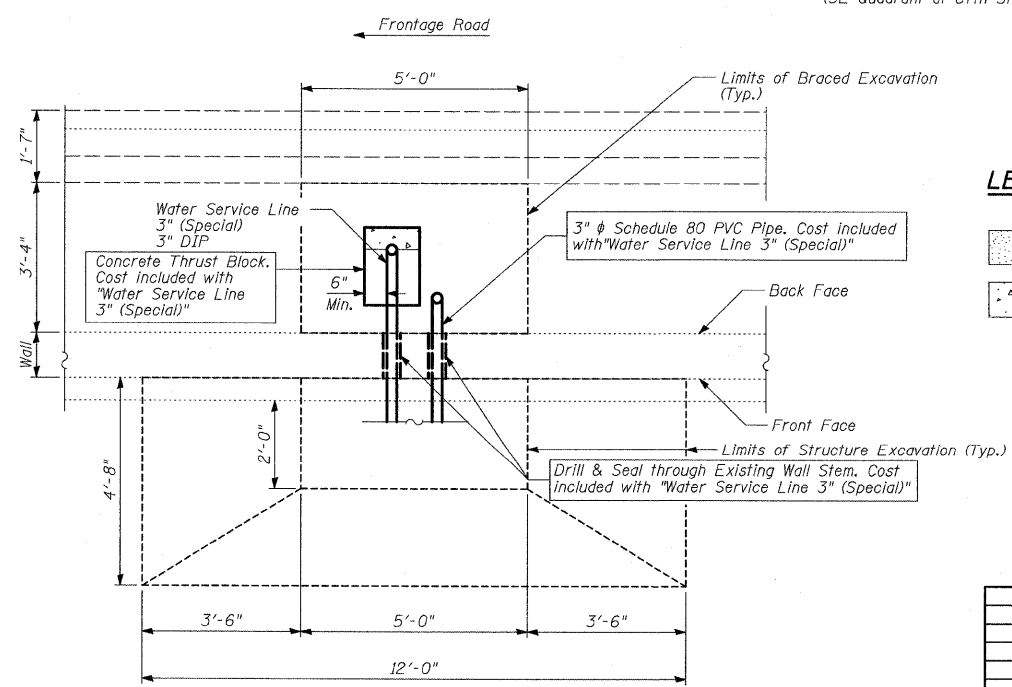
**EXISTING ELEVATION - WATER SERVICE & ELECTRICAL LINES AT SOLDIER PILE RETAINING WALL #39**  
(SW Quadrant at 87th Street)



**ELEVATION - WATER SERVICE & ELECTRICAL LINES AT EXISTING RETAINING WALL BEHIND WALL 5**  
(SE Quadrant at 87th Street)



**EXISTING PLAN - WATER SERVICE & ELECTRICAL LINES AT SOLDIER PILE RETAINING WALL #39**  
(For Information Only)



**PLAN - WATER SERVICE & ELECTRICAL LINES AT EXISTING RETAINING WALL**

**LEGEND**

- Porous Granular Embankment
- Portland Cement Concrete

**BILL OF MATERIAL**

ITEM	UNIT	Existing Wall #5	TOTAL
Porous Granular Embankment	CU YD	5	5
Structure Excavation	CU YD	8	8
Braced Excavation	CU YD	5	5
Water Service Line 3" (Special)	FOOT	12	12

REVISIONS	
NAME	DATE

ILLINOIS DEPARTMENT OF TRANSPORTATION  
F.A.I. 94 (DAN RYAN EXPRESSWAY)

**GATEWAY AND CORNER GARDEN UTILITY DROP DOWN DETAILS**

SCALE: N.T.S.      DRAWN BY: MAF  
DATE: JUNE 20, 2008      CHECKED BY: DAK, TGB