

SUGGESTED STAGING AND MAINTENANCE OF TRAFFIC

CONSTRUCTION STAGING

PRE-STAGE

- INSTALL TEMPORARY LIGHTING, TEMPORARY BRIDGE TRAFFIC SIGNAL AND TRAFFIC CONTROL DEVICES FOR STAGE I.

- RELOCATE FIELD ENTRANCE

STAGE I - EAST HALF OF BRIDGE

- REMOVE HMA WEARING SURFACE, REPLACE BEAMS, PLACE CONC. WEARING SURFACE AND RECONSTRUCT PARAPET WALL.

- RECONSTRUCT APPROACH SLAB, PLACE CONNECTOR PAVEMENT, RESURFACE PAVEMENT, PLACE HMA SHOULDER AND INSTALL GUARDRAIL.

- PLACE TEMPORARY HMA RAMP TO MEET NEW APPROACH PAVEMENT.

- PLACE TEMPORARY HMA RAMPS AS NEEDED.

STAGE II - WEST HALF OF BRIDGE

- REMOVE HMA WEARING SURFACE, REPLACE BEAMS, PLACE CONC. WEARING SURFACE AND RECONSTRUCT PARAPET WALL.

- RECONSTRUCT APPROACH SLAB, PLACE CONNECTOR PAVEMENT, RESURFACE PAVEMENT, PLACE HMA SHOULDER AND INSTALL GUARDRAIL.

MAINTENANCE OF TRAFFIC

PRE-STAGE

- USE DAILY LANE CLOSURES TO INSTALL TEMP. LIGHTING AND SIGNALS AND PLACE TRAFFIC CONTROL DEVICES FOR STAGE I. USE IDOT STANDARD 701201 - LANE CLOSURE, 2L, 2W, DAY ONLY, FOR SPEEDS > 45 MPH.

STAGE I

- CLOSE NORTHBOUND LANE AS SHOWN ON THE SUGGESTED TRAFFIC CONTROL AND STAGING ALONG WITH THE NOTES AND DETAILS ON IDOT STANDARD 701321.

- MAINTAIN ONE-LANE TWO-WAY TRAFFIC ON SOUTHBOUND PAVEMENT ACROSS BRIDGE.

STAGE II

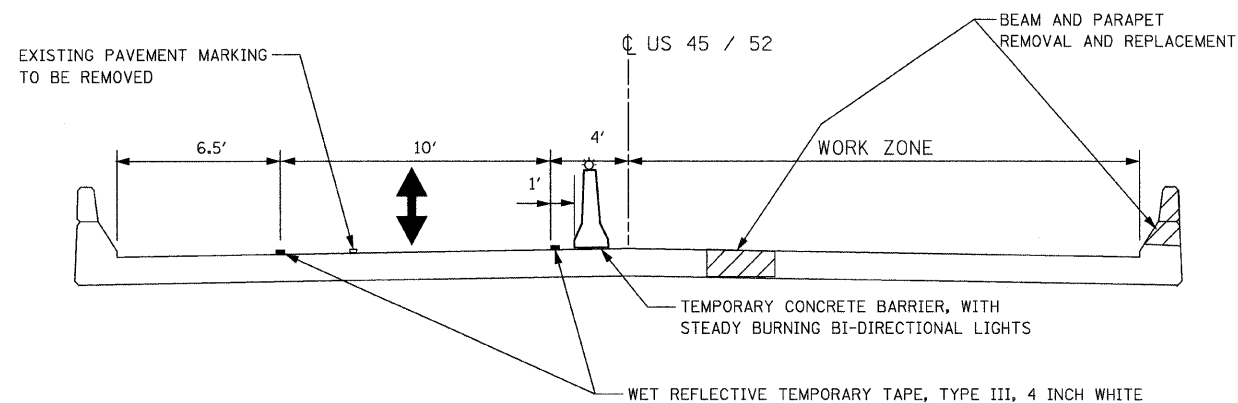
- CLOSE SOUTHBOUND LANE AS SHOWN ON THE SUGGESTED TRAFFIC CONTROL AND STAGING ALONG WITH THE NOTES AND DETAILS ON IDOT STANDARD 701321.

- SHIFT ONE-LANE TWO-WAY TRAFFIC TO NORTHBOUND PAVEMENT ACROSS BRIDGE.

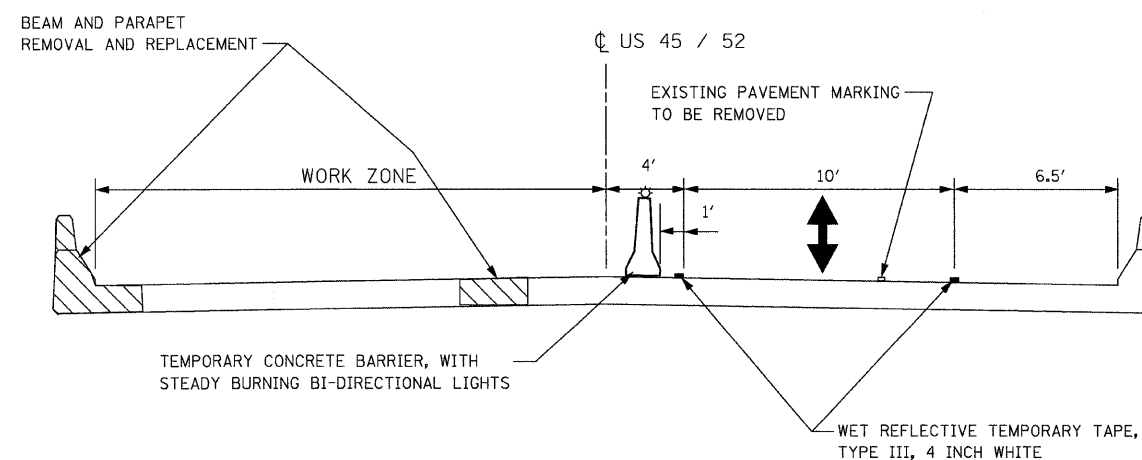
- REMOVE TEMPORARY BRIDGE TRAFFIC SIGNALS, LIGHTING AND TRAFFIC CONTROL DEVICES USING DAILY LANE CLOSURES. SEE IDOT STANDARD 701201 - LANE CLOSURE, 2L, 2W, DAY ONLY, FOR SPEEDS > 45 MPH.

TRAFFIC CONTROL GENERAL NOTES

1. USE SUGGESTED TRAFFIC CONTROL AND STAGING PLAN IN CONJUNCTION WITH STANDARD 701321.
2. FLUORESCENT VESTS: ALL CONSTRUCTION PERSONNEL WILL BE REQUIRED TO WEAR FLUORESCENT VESTS AT ALL TIMES WHILE ON THE CONSTRUCTION SITE. COMPLIANCE WITH THIS REQUIREMENT SHALL BE CONSIDERED INCIDENTAL TO THE CONTRACT.
3. CONTRACTOR SHALL MAINTAIN SATISFACTORY INGRESS AND EGRESS TO ADJACENT PROPERTIES THROUGHOUT THE CONSTRUCTION.
4. INSTALL TEMPORARY SIGN PANEL ASSEMBLY AS SHOWN IN PLANS AND AS DIRECTED BY THE ENGINEER. TO BE PAID FOR BY ITEM "TEMPORARY INFORMATION SIGNING FOR LANE CLOSURE".
5. EACH DETECTOR LOOP SHALL BE CONNECTED TO A SEPARATE DETECTOR AMPLIFIER.
6. ALL TEMPORARY PAVEMENT MARKING SHALL BE WET REFLECTIVE TEMPORARY TAPE, TYPE III.
7. THE FIRST TWO SIGNS ENTERING THE WORK ZONE SHALL HAVE MONO-DIRECTIONAL FLASHING BEACONS.
8. THE COST OF THE ADDITIONAL TRAFFIC SIGNAL EQUIPMENT FOR THE SIGNALS AT THE COMMERCIAL ENTRANCE, INCLUDING VIDEO DETECTION FOR THE DRIVEWAY, SHALL BE INCLUDED IN THE CONTRACT LUMP SUM PRICE FOR "TEMPORARY BRIDGE TRAFFIC SIGNALS".



**MAINTENANCE OF TRAFFIC - STAGE I
SECTION A-A**



**MAINTENANCE OF TRAFFIC - STAGE II
SECTION B-B**

FILE NAME = 60068 staging1.dgn
PLOT DATE = 7/7/2008

CHRISTIAN-ROGE & ASSOCIATES, INC.
ENGINEERS-PLANNERS-SURVEYORS
211 WEST WACKER DRIVE
CHICAGO, ILLINOIS 60606
PHONE: (312)372-2023 FAX: (312)372-5274

DESIGNED - S.J.P.	REVISED -
DRAWN - A.Y.	REVISED -
CHECKED - E.J.M.	REVISED -
DATE - JULY 7, 2008	REVISED -

**STATE OF ILLINOIS
DEPARTMENT OF TRANSPORTATION**

**CONSTRUCTION STAGING AND MAINTENANCE OF TRAFFIC
NOTES AND DETAILS U.S. 45 / 52**

SCALE: NONE SHEET NO. 1 OF 2 SHEETS STA. 621+00 TO STA. 636+00

F.A.P. RTE. 330	SECTION 17 B-1-1-1	COUNTY WILL	TOTAL SHEETS 29	SHEET NO. 7
FED. ROAD DIST. NO. 1 ILLINOIS FED. AID PROJECT			CONTRACT NO. 60D68	