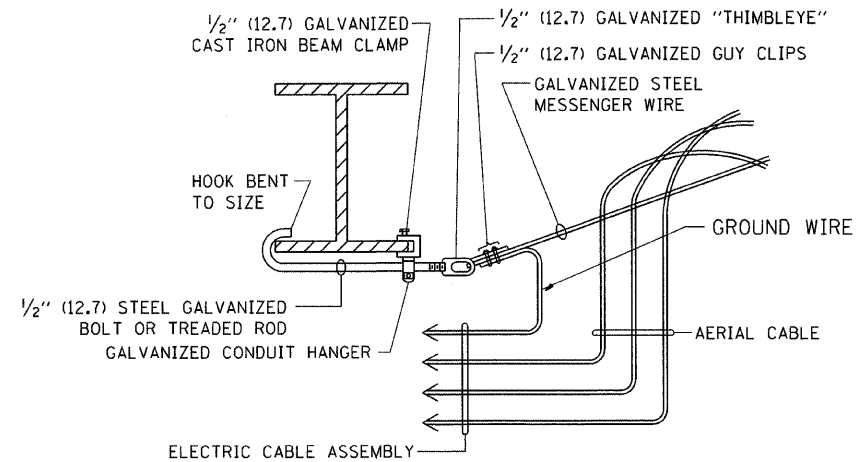


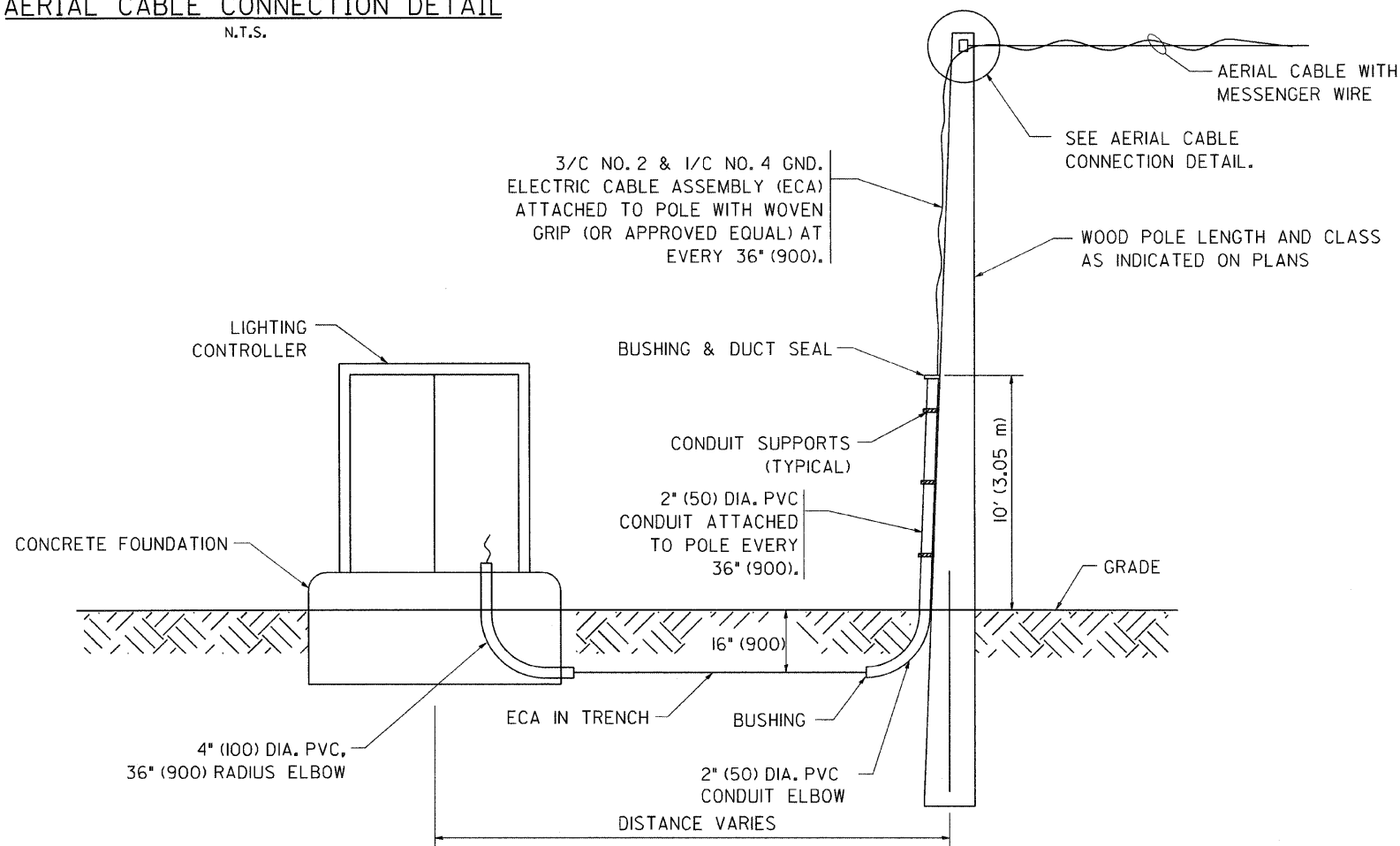
**AERIAL CABLE CONNECTION DETAIL**  
N.T.S.



**AERIAL CABLE ATTACHED TO STRUCTURE**  
NOT TO SCALE

**NOTES:**

1. ALL DIMENSIONS IN INCHES (MILLIMETERS) UNLESS OTHERWISE INDICATED.
2. SEE PROPOSED LIGHTING PLAN FOR CONDUIT, CABLE AND ROUTING.
3. THE CONTRACTOR SHALL PROVIDE INTERMEDIATE SUPPORTS TO MAINTAIN MINIMUM CLEARANCES. REFER TO AERIAL CABLE ATTACHED TO STRUCTURE DETAIL.
4. COST OF SPLICES AND MOUNTING HARDWARE SHALL BE INCLUDED IN THE UNIT PRICE FOR AERIAL CABLE.



**WOOD POLE TO LIGHTING CONTROLLER WIRING CONNECTION DETAIL**  
N.T.S.

FILE NAME = W:\diststd\22x34\be801.dgn	USER NAME = geglionbt	DESIGNED -	REVISED - 08-08-03	<b>STATE OF ILLINOIS DEPARTMENT OF TRANSPORTATION</b>	<b>TEMPORARY AERIAL CABLE INSTALLATION</b>			F.A.P. RTE. 330	SECTION 17 B-1-1-1	COUNTY WILL	TOTAL SHEETS 29	SHEET NO. 25
PLOT SCALE = 50,000' / IN.	CHECKED -	REVISOR -	DATE -		SCALE: NONE	SHEET NO. 1 OF 1 SHEETS	STA. 621+00 TO STA. 636+00	<b>BE-801</b> CONTRACT NO. 60D68				
PLOT DATE = 1/4/2008	DATE -	REVISOR -	DATE -		FED. ROAD DIST. NO. 1 ILLINOIS FED. AID PROJECT							