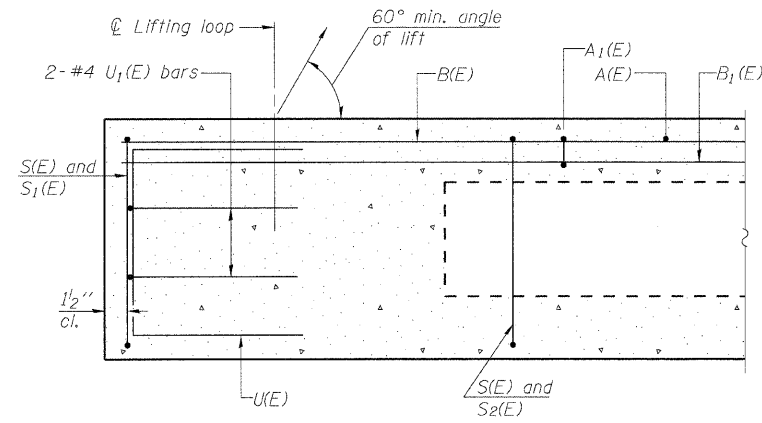
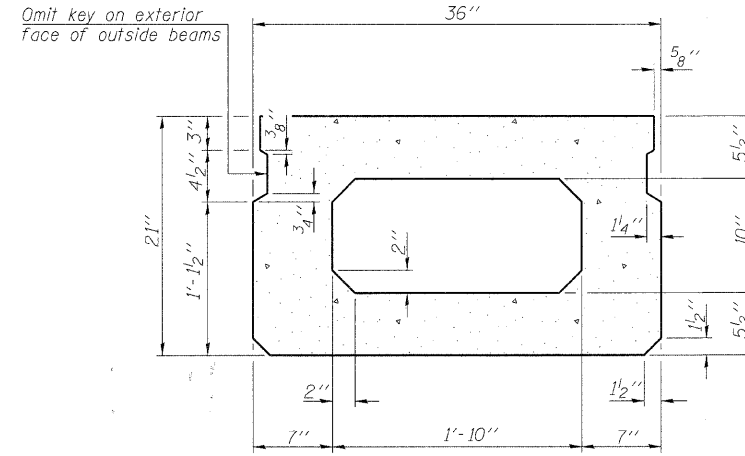


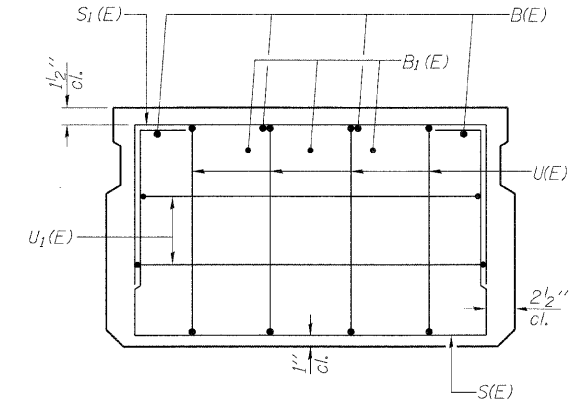
STATE OF ILLINOIS
DEPARTMENT OF TRANSPORTATION



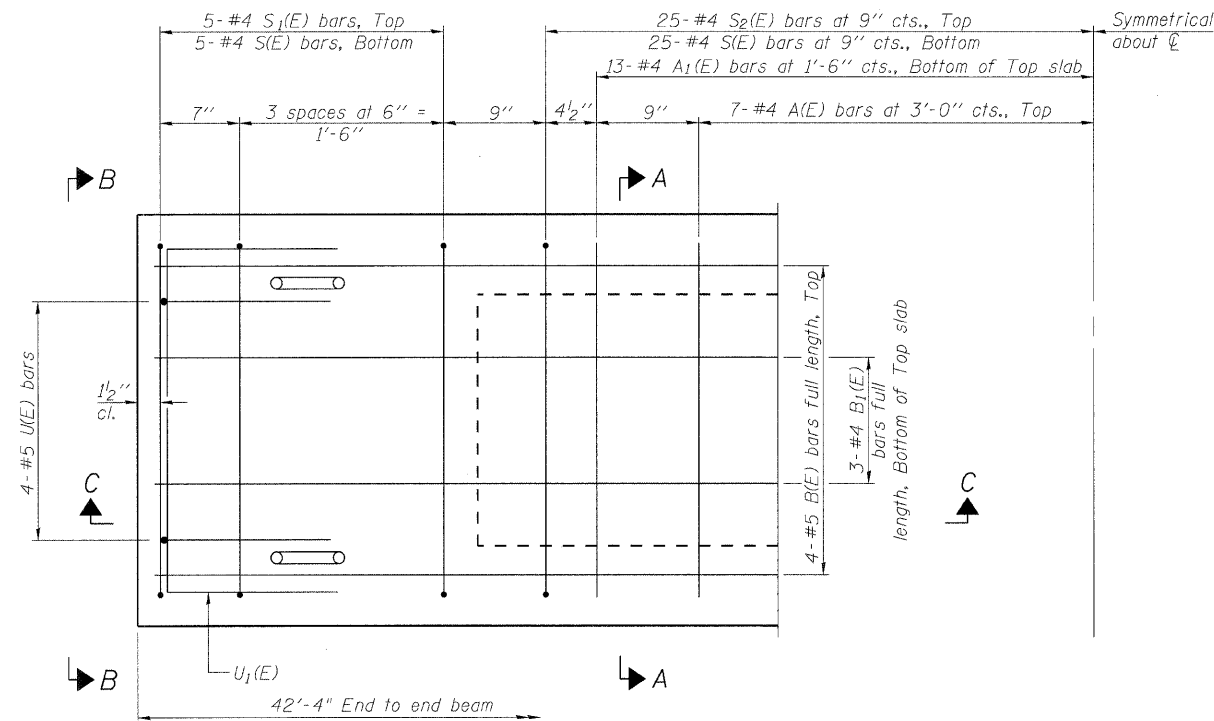
SECTION C-C



SECTION A-A
(Showing dimensions)

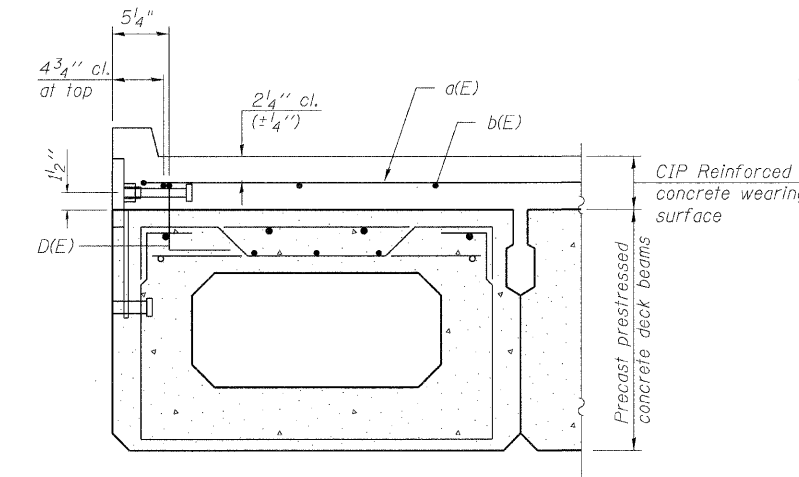


VIEW B-B



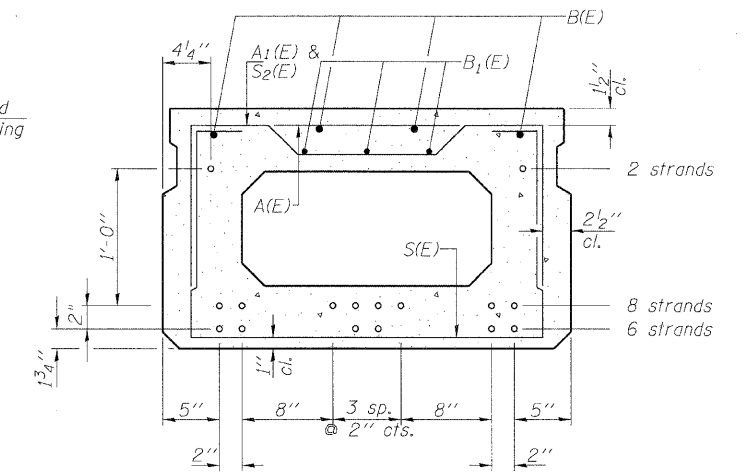
PLAN VIEW

Note: Spacing of S(E) and S2(E) bars may be adjusted up to 4" in the immediate area of the transverse tie diaphragms to miss the block outs for the transverse ties.



SECTION THRU EXTERIOR BEAM

See Typical Section Thru Interior Beam for strand pattern, dimensions and bar call outs. CWS and Curb shall be poured in the field.



SECTION A-A

(Showing reinforcement and permissible strand locations)

Note: Place the number of strands specified in each row symmetrically about the centerline of beam in the permissible strand locations shown.

BAR LIST
ONE BEAM ONLY
(For information only)

Bar	No.	Size	Length	Shape
A(E)	14	#4	2'-7"	—
A1(E)	26	#4	2'-11"	—
B(E)	8	#5	22'-0"	—
B1(E)	5	#4	22'-0"	—
D(E)	32	#4	2'-9"	U
S(E)	60	#4	6'-5"	U
S1(E)	10	#4	4'-11"	U
S2(E)	50	#4	5'-2"	U
U(E)	8	#5	4'-0"	U
U1(E)	4	#4	5'-0"	U

Note: See sheet S-5 for additional details and Bill of Material.

* Exterior Beams only

21" x 36" PPC DECK BEAM
FAS 1317 (IL RTE 113)
OVER TERRY CREEK
STA. 784+13.00
S.N. 099-0172

B. Sauter
E. Mroczek
R. Danley
B. Sauter

CG Ciorba Group, Inc.
CONSULTING ENGINEERS
5507 North Cumberland Avenue, Suite 402 Chicago, Illinois 60656
Tel. 773.775.4009 Fax 773.775.4014 Email chicago@ciorba.com

PD-2136-0 5-16-08

SHEET NO. S-4	F.A.I RTE.	SECTION	COUNTY	TOTAL SHEETS	SHEET NO.
	1317	111 B-2	WILL	32	19
S-13 SHEETS			CONTRACT NO. 60D86		
FED. ROAD DIST. NO.		ILLINOIS FED. AID PROJECT			