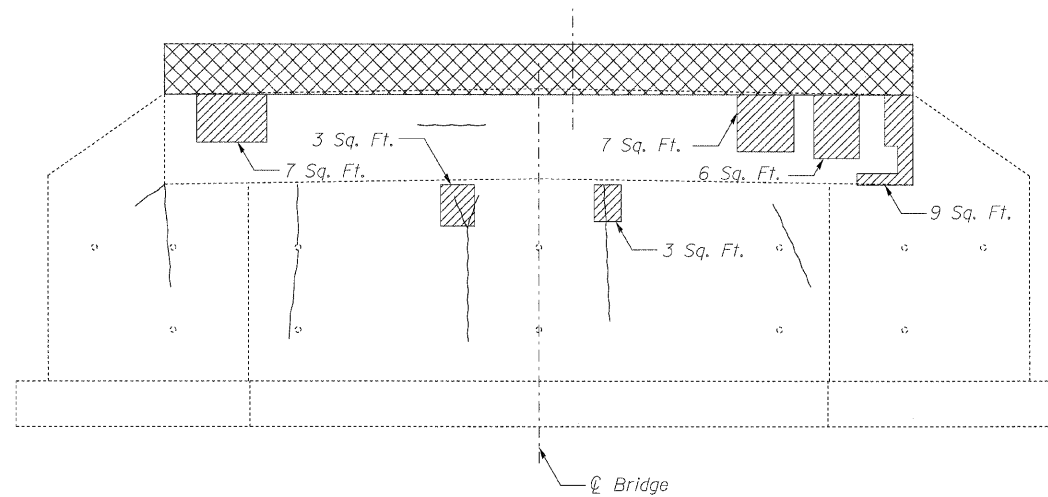
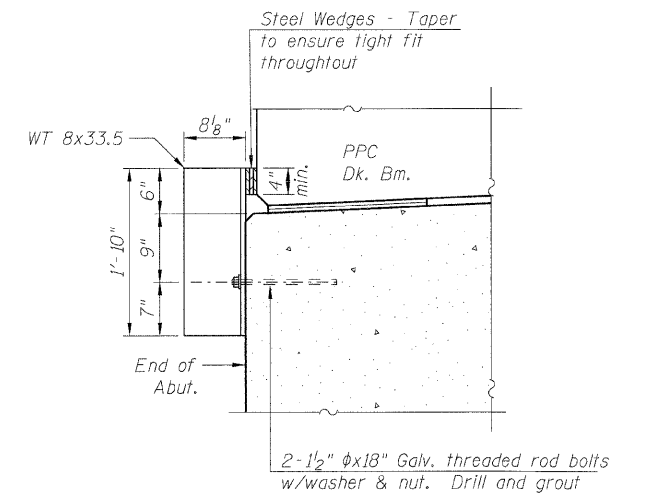
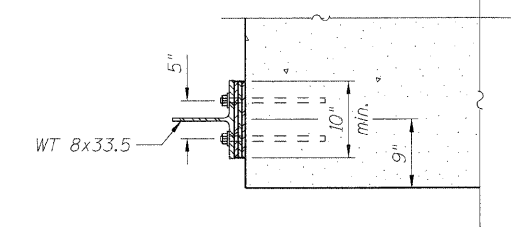
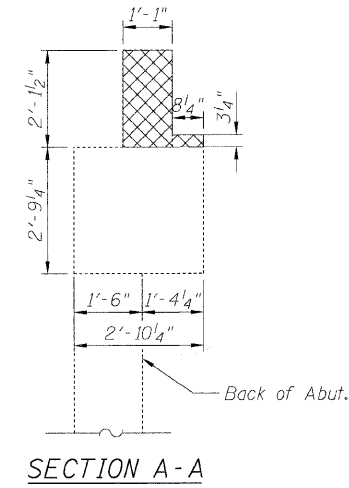


STATE OF ILLINOIS  
DEPARTMENT OF TRANSPORTATION

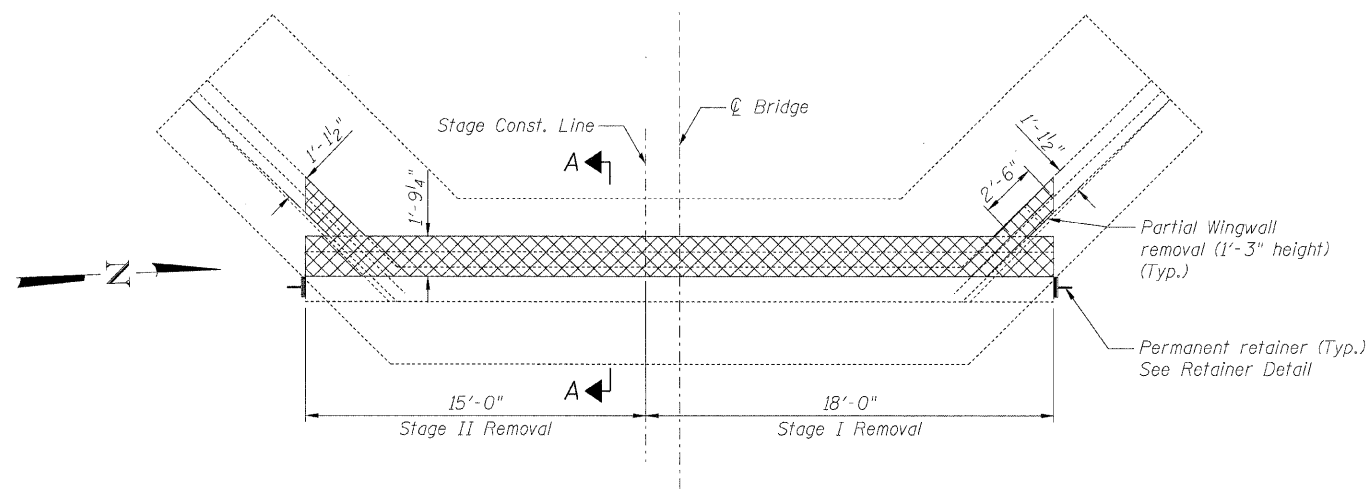


**ELEVATION**  
Looking West



**RETAINER DETAIL**

Cost of retainer and accessories are included with Precast Prestressed Concrete Deck Beams.



**PLAN**

**BILL OF MATERIAL**

Item	Unit	Quantity
Structural Repair of Concrete (Depth Equal to or Less than 5")	Sq. Ft.	35
Concrete Removal	Cu. Yd.	3.3

**WEST ABUTMENT  
REPAIRS  
FAS 1317 (IL RTE 113)  
OVER TERRY CREEK  
STA. 784+13.00  
S.N. 099-0172**

B. Sauter
E. Mroczek
R. Danley
B. Sauter



**Ciorba Group, Inc.**

CONSULTING ENGINEERS  
5507 North Cumberland Avenue, Suite 402 Chicago, Illinois 60656  
Tel. 773.775.4009 Fax 773.775.4014 Email chicago@ciorba.com

**NOTE:**

Repairs of the existing abutments shall include but not be limited to the areas shown. The actual areas to be determined by the engineer at the time of construction.

**LEGEND**

- Structural Repair of Concrete (≤ 5")
- Hairline Crack
- Concrete Removal

SHEET NO. S-11	F.A.I. RTE.	SECTION	COUNTY	TOTAL SHEETS	SHEET NO.
	1317	111 B-2	WILL	32	26
S-13 SHEETS			CONTRACT NO. 60D86		
FED. ROAD DIST. NO.		ILLINOIS FED. AID PROJECT			

rdm/ley

n:\pro\_1329\3329\_22\design\structural\load\ahht\3329\_22\_11\mess\_abutment.sht