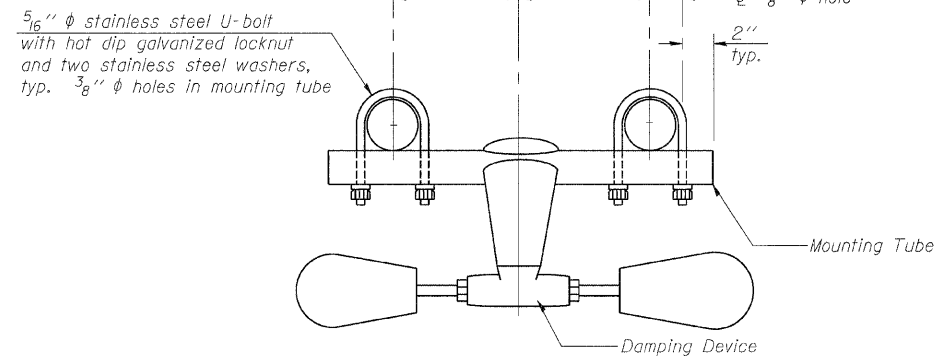
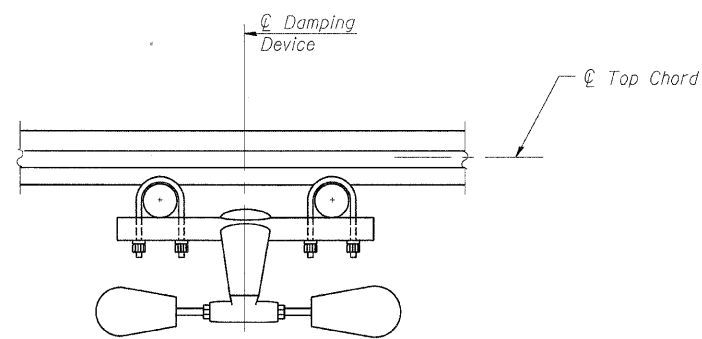
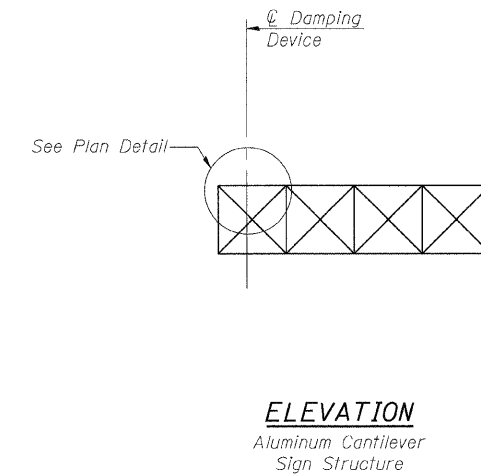


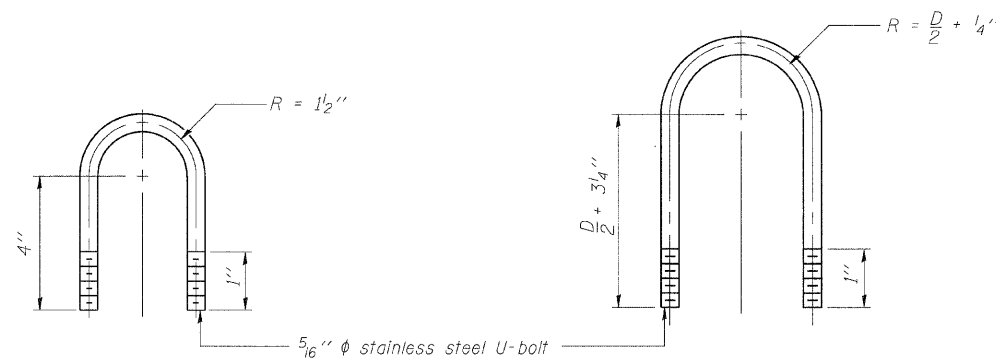
PLAN DETAIL



TRUSS DAMPING DEVICE CONNECTION DETAIL



SECTION A-A



DAMPING DEVICE MOUNTING TUBE U-BOLT DETAIL (Typical)

TOP CHORD TO CROSS TUBE U-BOLT DETAIL (Typical)

- GENERAL NOTES**
- Damper: One damper per truss. (31 lbs. Stockbridge-Type Aluminum-29" minimum between ends of weights)
- Materials: Aluminum tubes shall be ASTM B221 alloy 6061 temper T6

CANTILEVER SIGN STRUCTURE DAMPING DEVICE

MANHATTAN-MONEE ROAD (CH-6) OVER I-57

F.A. I-57 SEC. 99(1&2) R 3&9-1HB-1-BR2

WILL COUNTY STA. 14037+43.90

STRUCTURE NUMBER 099-4647

DESIGN FIRM REGISTRATION No. 184-000450

Clark Dietz ENGINEERS

1817 SOUTH NEIL STREET SUITE 100 CHAMPAIGN, IL 61820

PHONE : 217.373.8900 FAX : 217.373.8923

| | | |
|-------------------|--------------------|--------------------------------|
| DESIGNED BY: SLD | PROJECT NO: 102230 | DRAWING NUMBER OSC-3 |
| DRAWN BY: SLD/AJP | DATE: 06/20/08 | |
| CHECKED BY: SLD | | |
| APPROVED BY: TMW | | |
| ACTIVITY | INITIALS | |