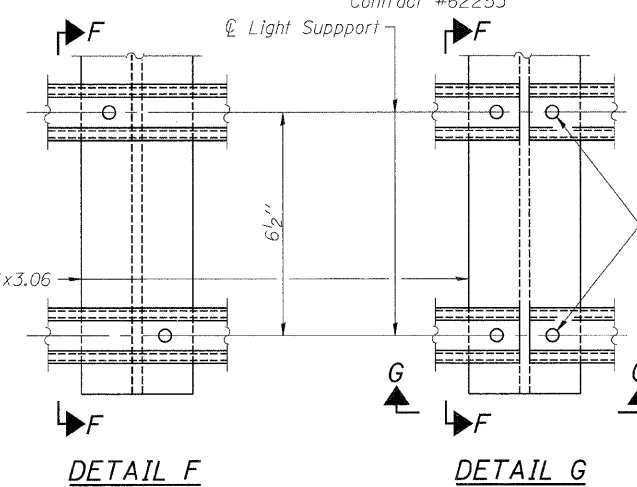


HANDRAIL DETAILS

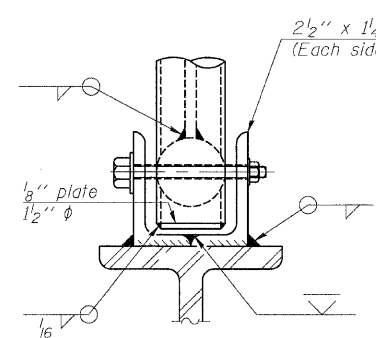
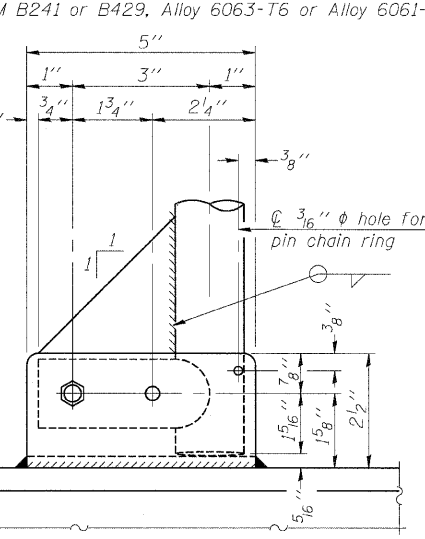
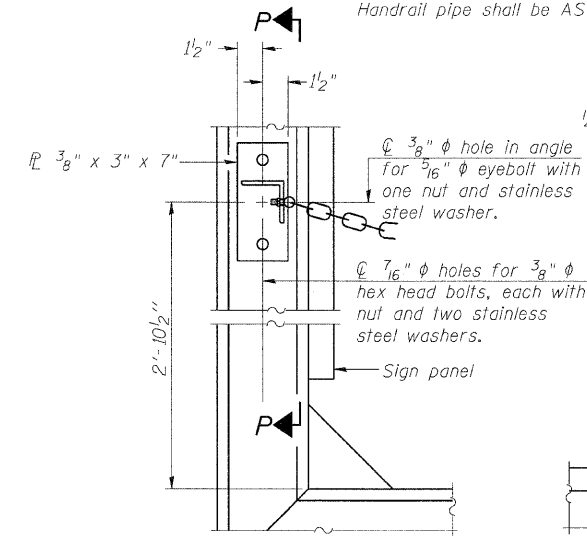
① Install standard force-fit end caps or weld $\frac{1}{8}$ " end plates with $\frac{1}{8}$ " c.f.w. and grind smooth. (All rail ends)

② Horizontal handrail member shall be continuous thru fitting. Provide $\frac{7}{16}$ " ϕ hole in fitting for $\frac{3}{8}$ " ϕ bolt. Field drill $\frac{1}{16}$ " ϕ hole in horizontal rail member. Provide locknut and two stainless steel washers for bolt. (Use $\frac{5}{16}$ " eyebolts in $\frac{7}{16}$ " ϕ holes on top rail at ends only.)



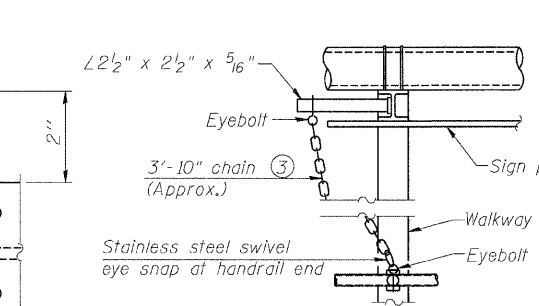
SECTION F-F LIGHTING FIXTURE MOUNTS (IF REQUIRED)

⑤ Field cut ends of light support channels shall be free of burrs or hazardous projections and coated with zinc-rich primer or equivalent.



FRONT ELEVATION

ELEVATION AT HANDRAIL JOINT ④

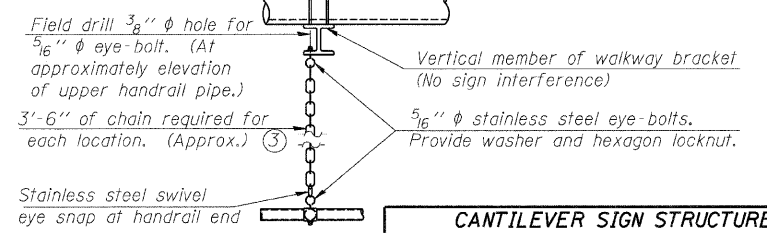


ALTERNATE SAFETY CHAIN ATTACHMENT

Details not shown similar to "Safety Chain" Details (Walkway omitted for clarity)

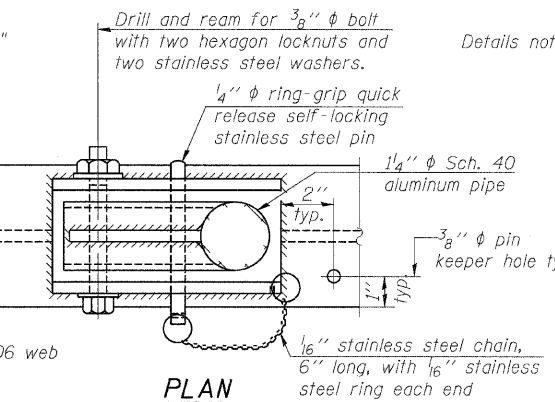
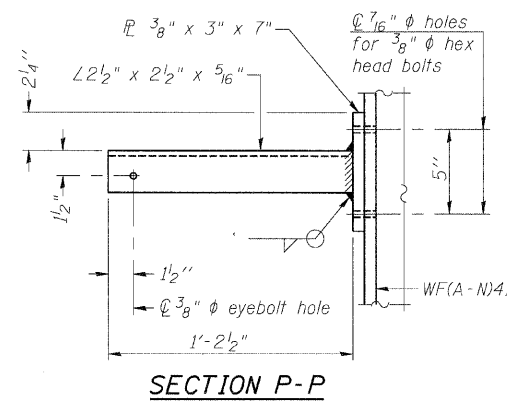
③ $\frac{3}{16}$ " Type 304L stainless steel chain, approximately 12 links per foot.

④ Extrusions may be used in lieu of the details shown, with approval of the Engineer.

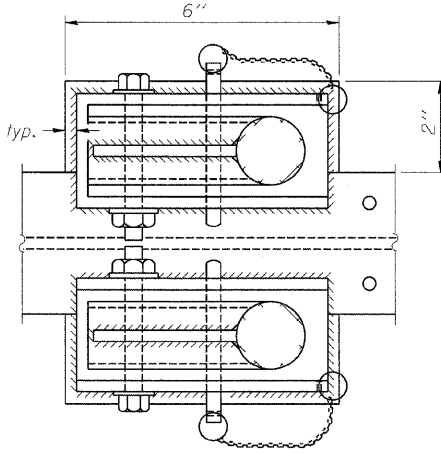


ALTERNATE SAFETY CHAIN ATTACHMENT

(With Sign Present)
Items not shown same as "Side Elevation" of "Handrail Details"



PLAN AT HANDRAIL JOINT



NUMBER	REVISION	DATE

CANTILEVER SIGN STRUCTURES HANDRAIL DETAILS ALUMINUM TRUSS & STEEL POST
MANHATTAN-MONEE ROAD (CH-6) OVER I-57
F.A. I-57 SEC. 99(1&2) R 3&9-1HB-1-BR2
WILL COUNTY STA. 14037+43.90
STRUCTURE NUMBER 099-4647

Clark Dietz ENGINEERS
DESIGN FIRM REGISTRATION No. 184-000450
1817 SOUTH NEIL STREET SUITE 100
CHAMPAIGN, IL 61820
PHONE : 217.373.8900
FAX : 217.373.8923

NOTE: DIMENSIONAL DATA IS NOT TO BE OBTAINED BY SCALING ANY PORTION OF THIS DRAWING.

DESIGNED BY: SLD	PROJECT NO: 102232
DRAWN BY: SLD/AJP	DATE: 05/20/08
CHECKED BY: SLD	
APPROVED BY: TMW	
ACTIVITY	INITIALS

DRAWING NUMBER **OSC-8**