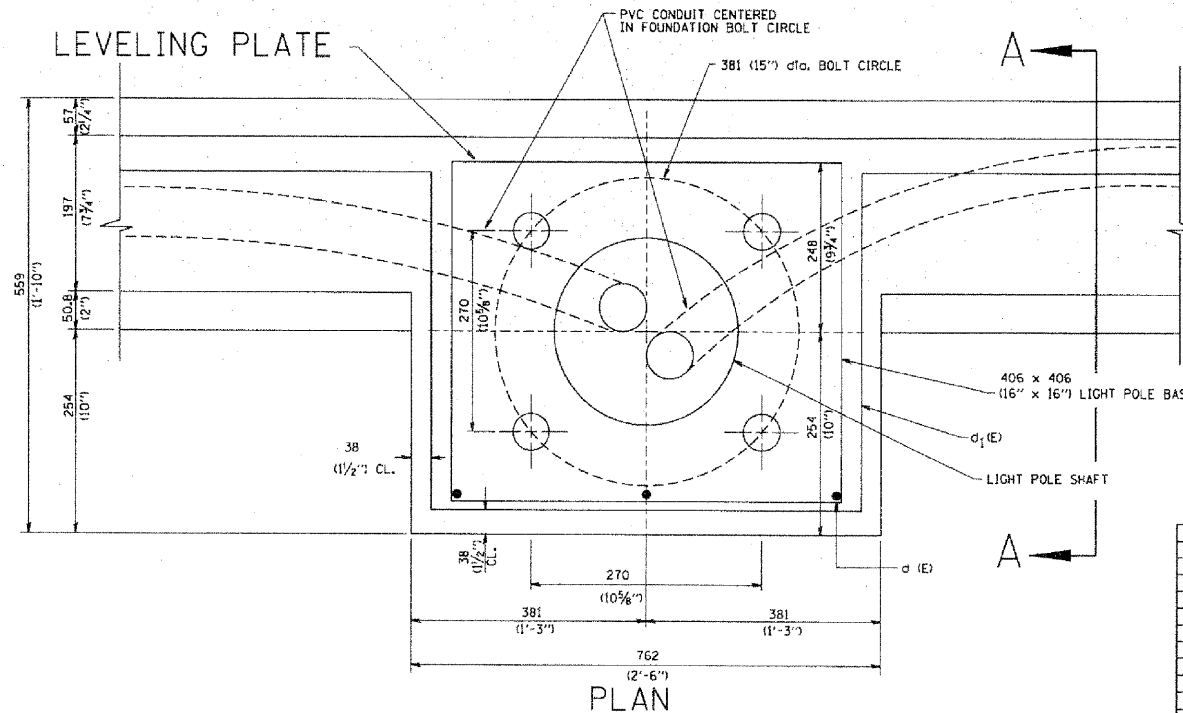
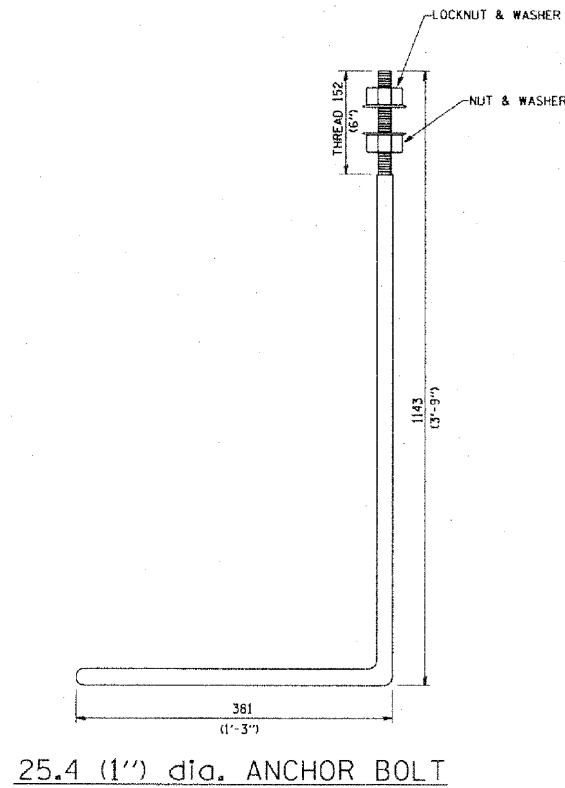
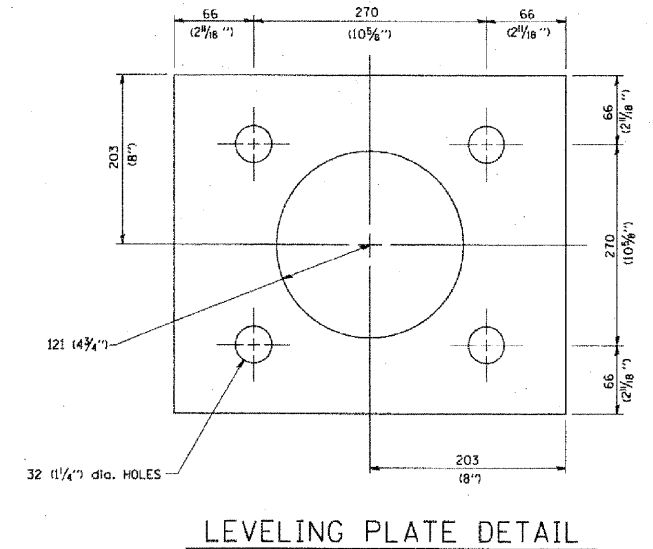
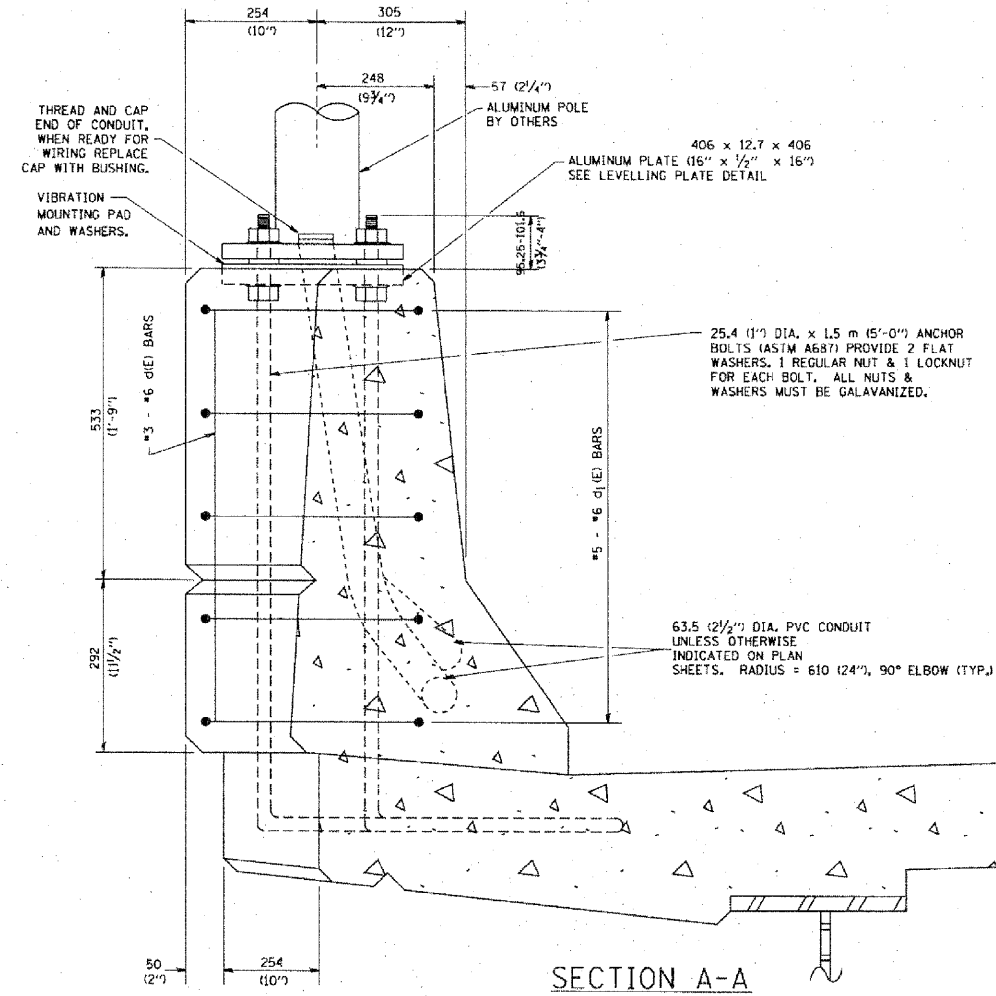
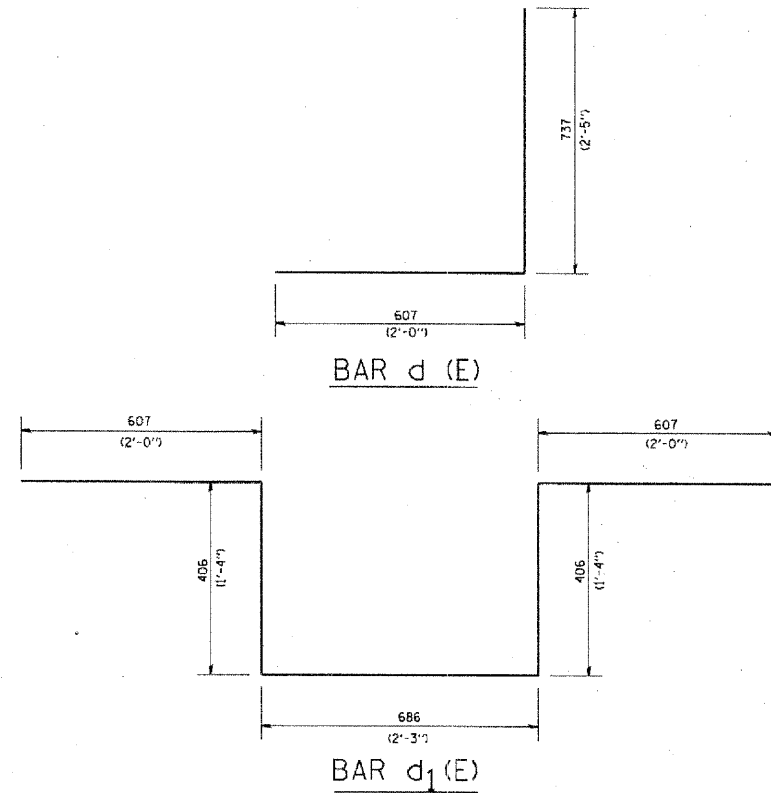


CONTRACT NO.			
F.A. RTE.	SECTION	COUNTY	TOTAL SHEET NO.
			303 147
STA.		TO STA.	
FED. ROAD DIST. NO.	ILLINOIS	FED. AID PROJECT	



**NOTES**

1. ALL DIMENSIONS ARE IN MILLIMETERS (INCHES) UNLESS OTHERWISE SHOWN.
2. LEVEL LIGHT POLE PLATES, USING THE FLANGE NUTS, PRIOR TO POURING THE PARAPET WALL. THE TOP OF THE PLATE SHALL BE AT THE SAME ELEVATION AS THE FINISHED CONCRETE PARAPET.
3. THE COST OF ANCHOR BOLTS, CONDUIT, LEVELLING PLATE AND FOUNDATION IS INCLUDED IN THE COST OF THE BRIDGE STRUCTURE.

REVISIONS	
NAME	DATE

BE-330  
ILLINOIS DEPARTMENT OF TRANSPORTATION  
LIGHT POLE MOUNTED  
ON CONCRETE PARAPET WALL  
381 mm (15") BOLT CIRCLE  
SCALE: NONE  
DATE: 2/15/2006  
DRAWN BY  
CHECKED BY  
BE-330  
REVISION DATE: 04/22/02

PLOT DATE: 2/15/2006  
PLOT SCALE: 1/8" = 1'-0"  
USER NAME: csp1mabst