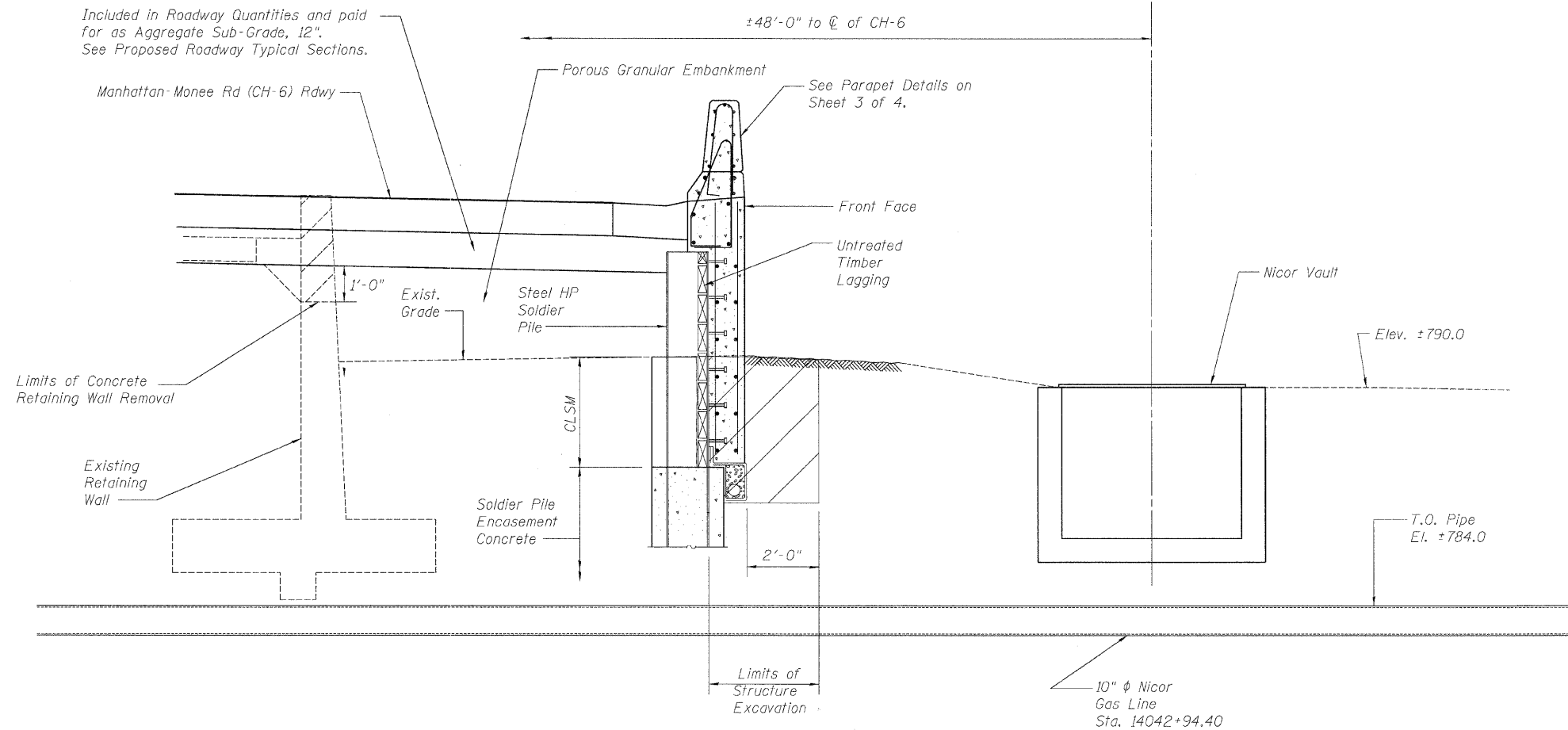


ROUTE NO.	SECTION	COUNTY	TOTAL SHEETS	SHEET NO.	SHEET NO. 2
FAI 57	*	WILL	303	153	4 SHEETS
FED. ROAD DIST. NO. 7	ILLINOIS	FED. AID PROJECT			

Contract #62253



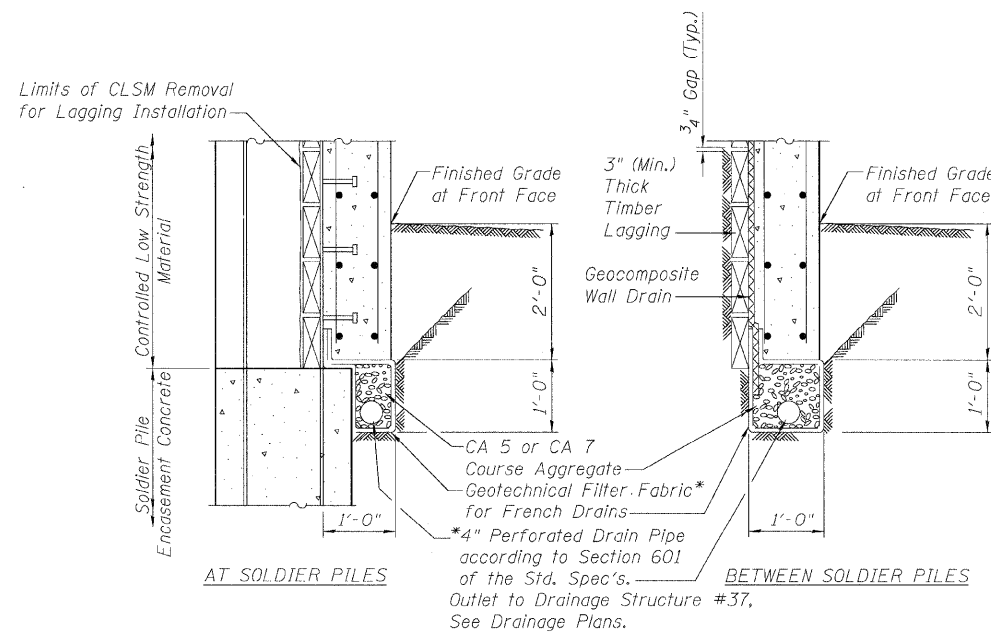
**TYPICAL SECTION**

Note:  
The Contractor is responsible for the design and performance of the lagging using no less than a 3 in. nominal rough-sawn thickness and timber with a minimum allowable bending stress of 1000 psi.

**SOLDIER PILE STATION AND OFFSETS**

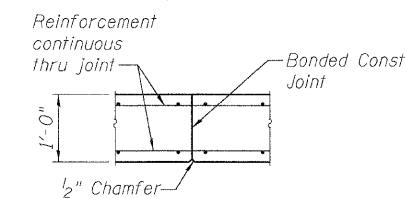
Pile	Station	Offset to Working Point
A	14042+66.74	56.45 Rt
B	14042+71.75	51.57 Rt
C	14042+77.31	47.33 Rt
D	14042+83.36	43.81 Rt
E	14042+89.64	41.10 Rt
F	14042+98.33	38.70 Rt
G	14043+05.74	37.53 Rt
H	14043+13.18	36.64 Rt
I	14043+20.66	36.04 Rt
J	14043+28.15	35.72 Rt
K	14043+35.65	35.67 Rt
L	14043+43.15	35.67 Rt

Notes:  
Station and offsets are off Manhattan-Monee (CH-6) Centerline.  
Hatched area indicates "Structure Excavation."  
Soldier pile lettering is from west to east.  
If additional length is required, that length shall be added to the bottom of the pile and shall be paid for at the unit price bid for Furnishing Soldier Piles, with the cost of splicing being included in the unit price and the method of splicing approved by the Engineer.

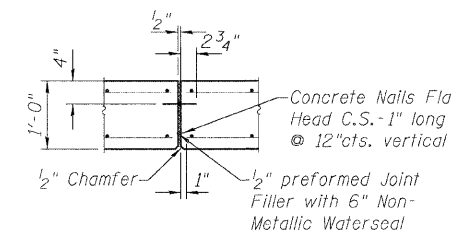


**FRENCH DRAIN DETAILS**

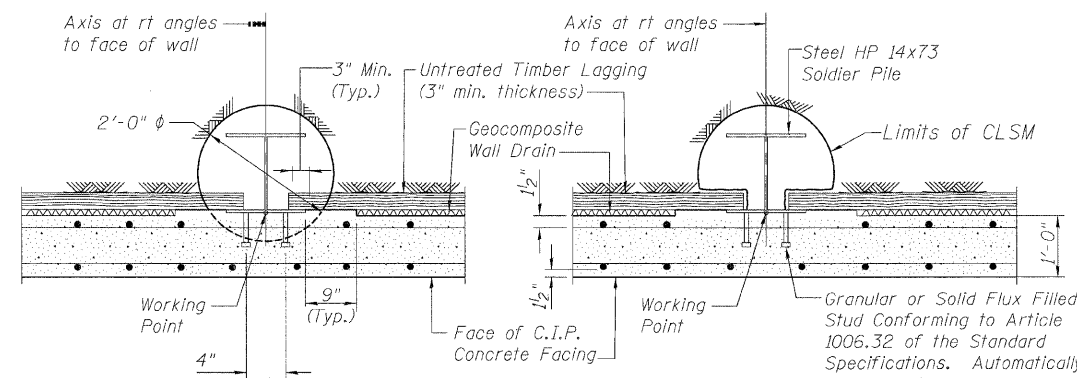
\*Included in the cost of "Pipe Underdrains for Structures".



**WALL CONSTRUCTION JOINT**



**WALL EXPANSION JOINT**



**TYPICAL SECTION THRU SOLDIER PILE**

**TYPICAL SECTION AND DETAILS**

MANHATTAN-MONEE ROAD (CH-6)  
OVER I-57  
RETAINING WALL AT RAMP D  
F.A. I-57 SEC. 99(1&2) R 3&9-1HB-1-BR2  
WILL COUNTY STA. 14037+43.90  
STRUCTURE NUMBER 099-W022

DESIGN FIRM REGISTRATION  
No. 194-000450  
**Clark Dietz**  
ENGINEERS  
1817 SOUTH NEIL STREET  
SUITE 100  
CHAMPAIGN, IL 61820  
PHONE : 217.373.8900  
FAX : 217.373.8923

NOTE: DIMENSIONAL DATA IS NOT TO BE OBTAINED BY SCALING ANY PORTION OF THIS DRAWING.

DESIGNED BY: SMM	PROJECT NO.: 102230
DRAWN BY: MEW/SLD	DATE: 06/22/08
CHECKED BY: SLD	
APPROVED BY: SMM	
ACTIVITY	INITIALS

DRAWING NUMBER  
**R-2**