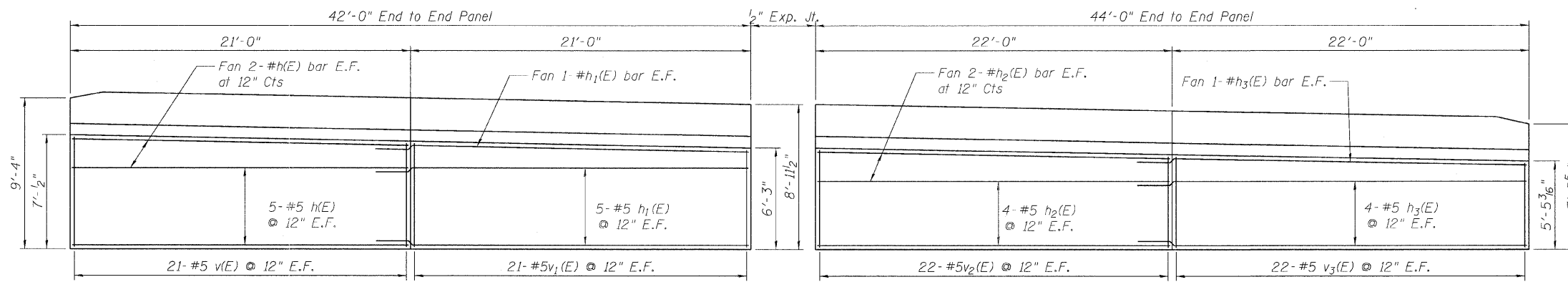


ROUTE NO.	SECTION	COUNTY	TOTAL SHEETS	SHEET NO.	SHEET NO. 3 4 SHEETS
FAI 57	*	WILL	303	154	
FED. ROAD DIST. NO. 7		ILLINOIS		FED. AID PROJECT	

Contract #62253



ELEVATION OF PANEL 1

(Looking from front of wall)

ELEVATION OF PANEL 2

(Looking from front of wall)

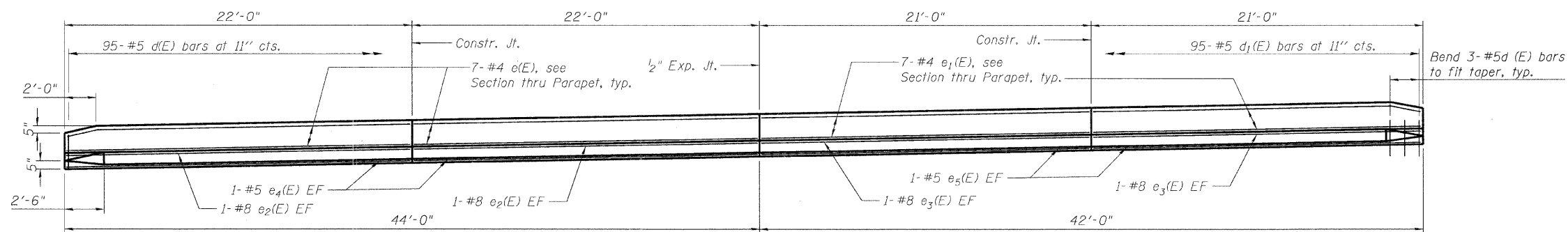
MIN. BAR LAP

#5	2'-5"
#8	3'-8"

Note: E.F. indicates each face.

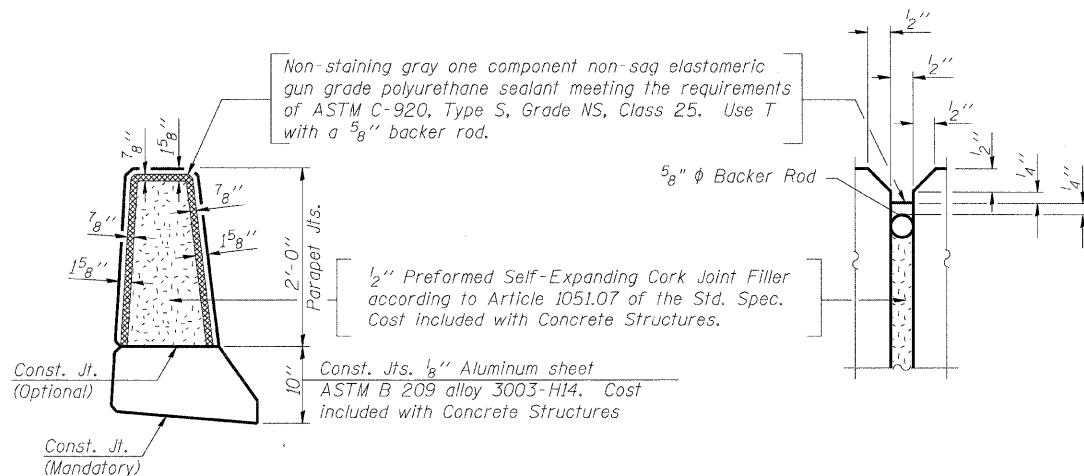
**SUPERSTRUCTURE
BILL OF MATERIAL**

Bar	No.	Size	Length	Shape	
d(E)	95	#5	5'-7"		
d1(E)	95	#5	8'-3"		
e(E)	14	#4	21'-9"		
e1(E)	14	#4	20'-9"		
e2(E)	4	#8	21'-9"		
e3(E)	4	#8	20'-9"		
e4(E)	4	#5	21'-9"		
e5(E)	4	#5	20'-9"		
h(E)	14	#5	20'-9"		
h1(E)	12	#5	23'-5"		
h2(E)	12	#5	21'-9"		
h3(E)	10	#5	24'-5"		
v(E)	42	#5	6'-8"		
v1(E)	42	#5	6'-2"		
v2(E)	44	#5	5'-8"		
v3(E)	44	#5	5'-4"		
Reinforcement Bars, Epoxy Coated				Pound	4,580

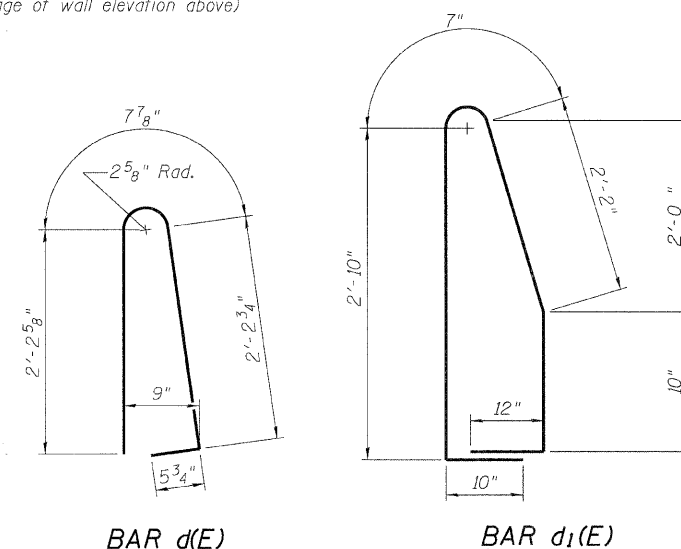


ELEVATION OF PARAPET

(inside face of parapet - mirror image of wall elevation above)

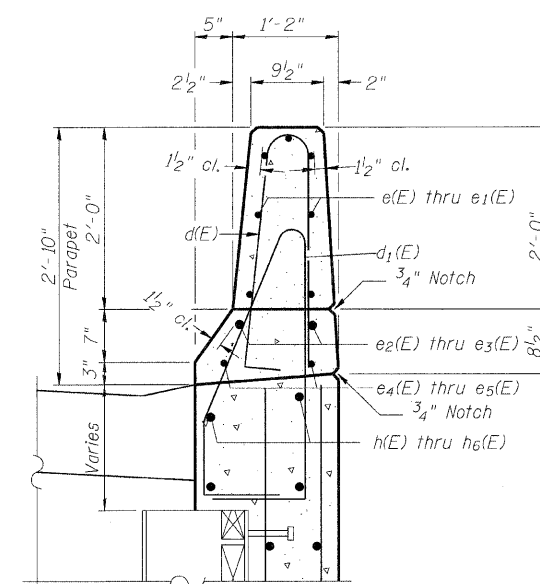


PARAPET JOINT DETAILS



BAR d(E)

BAR d1(E)



SECTION THRU PARAPET

The horizontal bars shall be bent to account for non-linear wall alignment. Cost shall be included in "Reinforcement Bars, Epoxy Coated."

WALL ELEVATION AND REINFORCEMENT

**MANHATTAN-MONEE ROAD (CH-6)
OVER I-57
RETAINING WALL AT RAMP D
F.A. I-57**

SEC. 99(1&2) R 3&9-1HB-1-BR2

**WILL COUNTY STA. 14037+43.90
STRUCTURE NUMBER 099-W022**

DESIGN FIRM REGISTRATION NO. 184-000450
1817 SOUTH NEIL STREET
SUITE 100
CHAMPAIGN, IL 61820
PHONE : 217.373.8900
FAX : 217.373.8923

CLARK DIETZ ENGINEERS

NOTE: DIMENSIONAL DATA IS NOT TO BE OBTAINED BY SCALING ANY PORTION OF THIS DRAWING.

DESIGNED BY: SMM PROJECT NO: 102230
DRAWN BY: MEW DATE: 06/2008
CHECKED BY: SLD
APPROVED BY: SMM
ACTIVITY INITIALS

DRAWING NUMBER
R-3