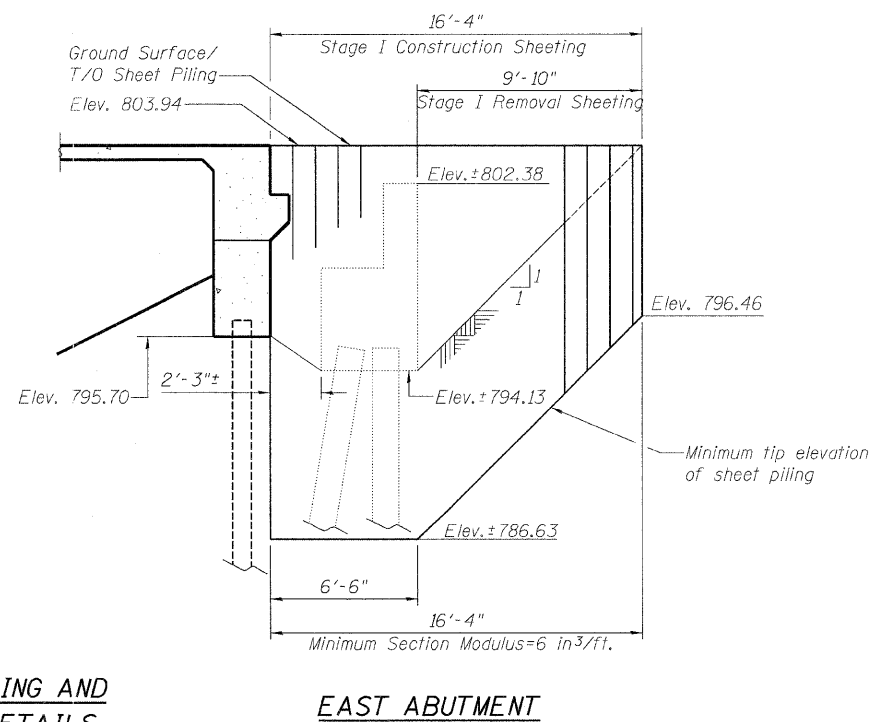


**TEMPORARY SHEET PILING AND ABUTMENT REMOVAL DETAILS**



**NOTES:**

- If the Contractor chooses to alter the temporary cantilevered sheet piling design requirements shown on the plans, a design submittal including plan details and calculations will be required for review and acceptance by the Engineer.
- Sheeting for Stage II is within the limits of Stage I Sheeting. Set top of Stage I Sheeting at proposed elevation for Stage II Sheeting.

<b>TEMPORARY SHEET PILING</b>	
MANHATTAN-MONEE ROAD (CH-6) OVER I-57	
F.A. I-57	SEC. 99(1&2) R 3&9-1HB-1-BR2
WILL COUNTY	STA. 14037+43.90
STRUCTURE NUMBER 099-4647	
<b>Clark Dietz</b> ENGINEERS	
DESIGN FIRM REGISTRATION No. 184-000450 1817 SOUTH NEIL STREET SUITE 100 CHAMPAIGN, IL 61820 PHONE : 217.373.8900 FAX : 217.373.8923	
NOTE: DIMENSIONAL DATA IS NOT TO BE OBTAINED BY SCALING ANY PORTION OF THIS DRAWING.	DRAWING NUMBER
DESIGNED BY: SMM PROJECT NO: 102230	
DRAWN BY: MEW/SLD DATE: 05/2008	
CHECKED BY: SLD	
APPROVED BY: SMM	
ACTIVITY INITIALS	
	S-3