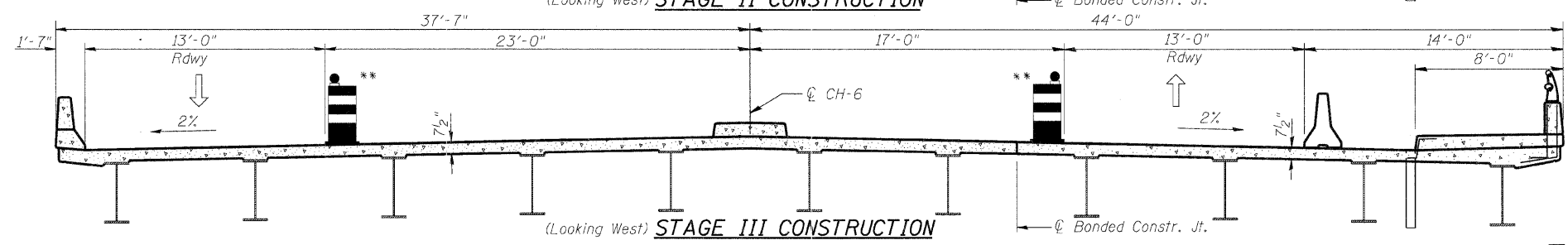
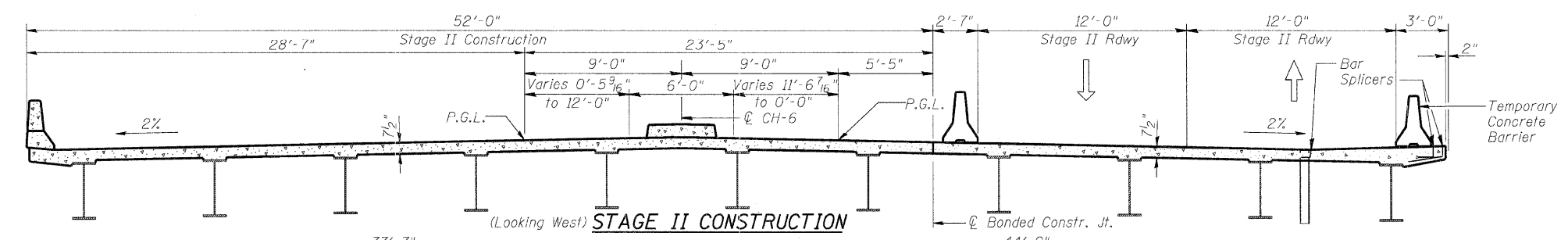
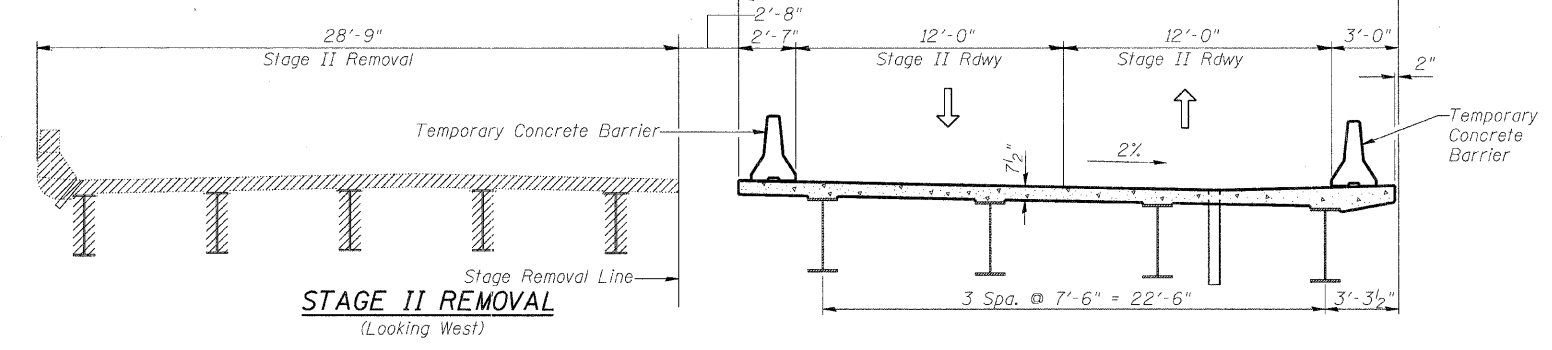
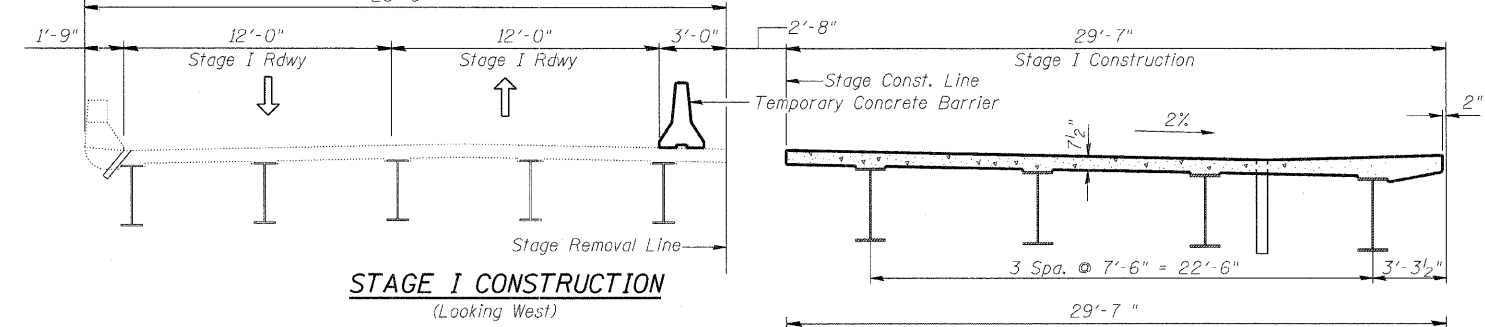
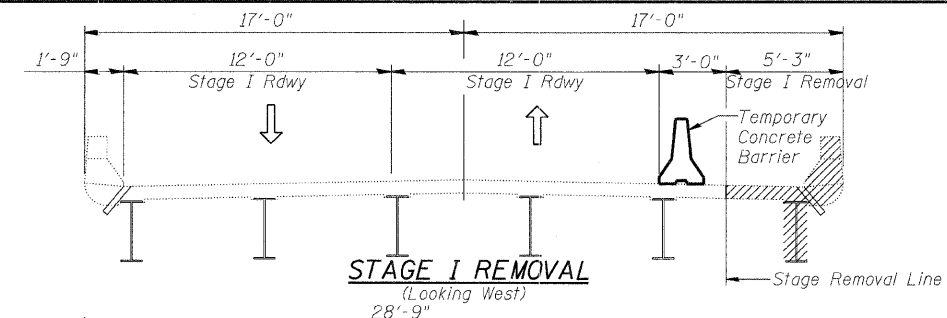


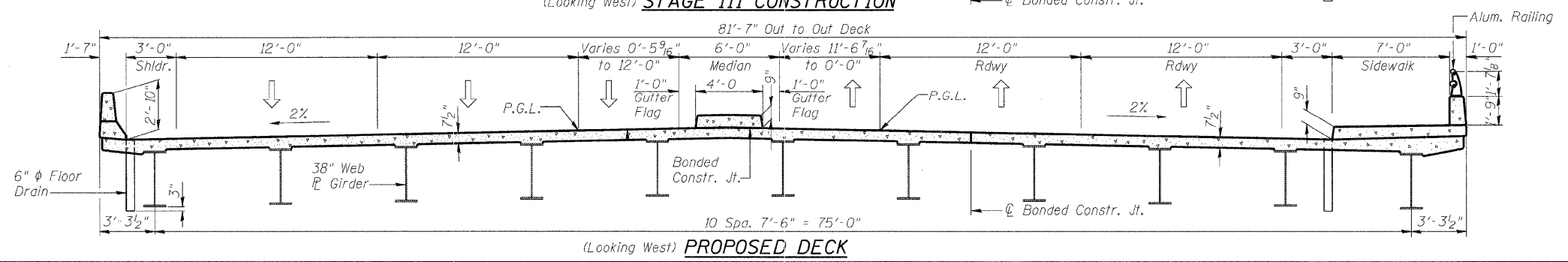
ROUTE NO.	SECTION	COUNTY	SHEETS	SHEET NO.	SHEET NO. 4
FAI 57	*	WILL	303	158	28 SHEETS
FED. ROAD DIST. NO. 7	ILLINOIS	FED. AID PROJECT-			

Contract #62253

- NOTES:**
- Hatched areas indicate removal of existing structures.
 - Existing East and West Piers to be removed 1' below the ground surface and center pier to be completely removed.
 - Existing abutment piles to be cut off 1' below the bottom of pile cap.
 - The existing abutments and piers shall be removed in stages along the same line as for removal of the existing superstructure.
 - See Dwg. S-23 for Temporary Concrete Barrier details.
 - For quantities of Temporary Concrete Barrier see Roadway Plans.



** Required for roadway construction. See Roadway Plans.



STAGE CONSTRUCTION AND DETAILS

MANHATTAN-MONEE ROAD (CH-6)
OVER I-57
F.A. I-57 SEC. 99(1&2) R 3&9-1HB-1-BR2
WILL COUNTY STA. 14037+43.90
STRUCTURE NUMBER 099-4647

DESIGN FIRM REGISTRATION
No. 184-000450
1817 SOUTH NEIL STREET
SUITE 100
CHAMPAIGN, IL 61820
PHONE : 217.373.8800
FAX : 217.373.8923

NOTE: DIMENSIONAL DATA IS NOT TO BE OBTAINED BY SCALING ANY PORTION OF THIS DRAWING.

DESIGNED BY: SMM PROJECT NO: 102230
DRAWN BY: MEW/SLD DATE: 06/2008
CHECKED BY: SLD
APPROVED BY: SMM
ACTIVITY INITIALS

DRAWING NUMBER
S-4