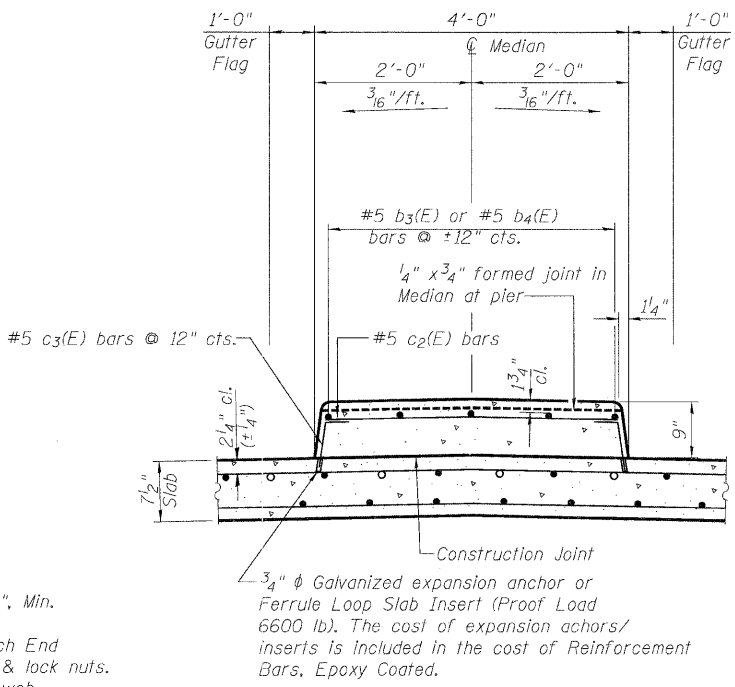
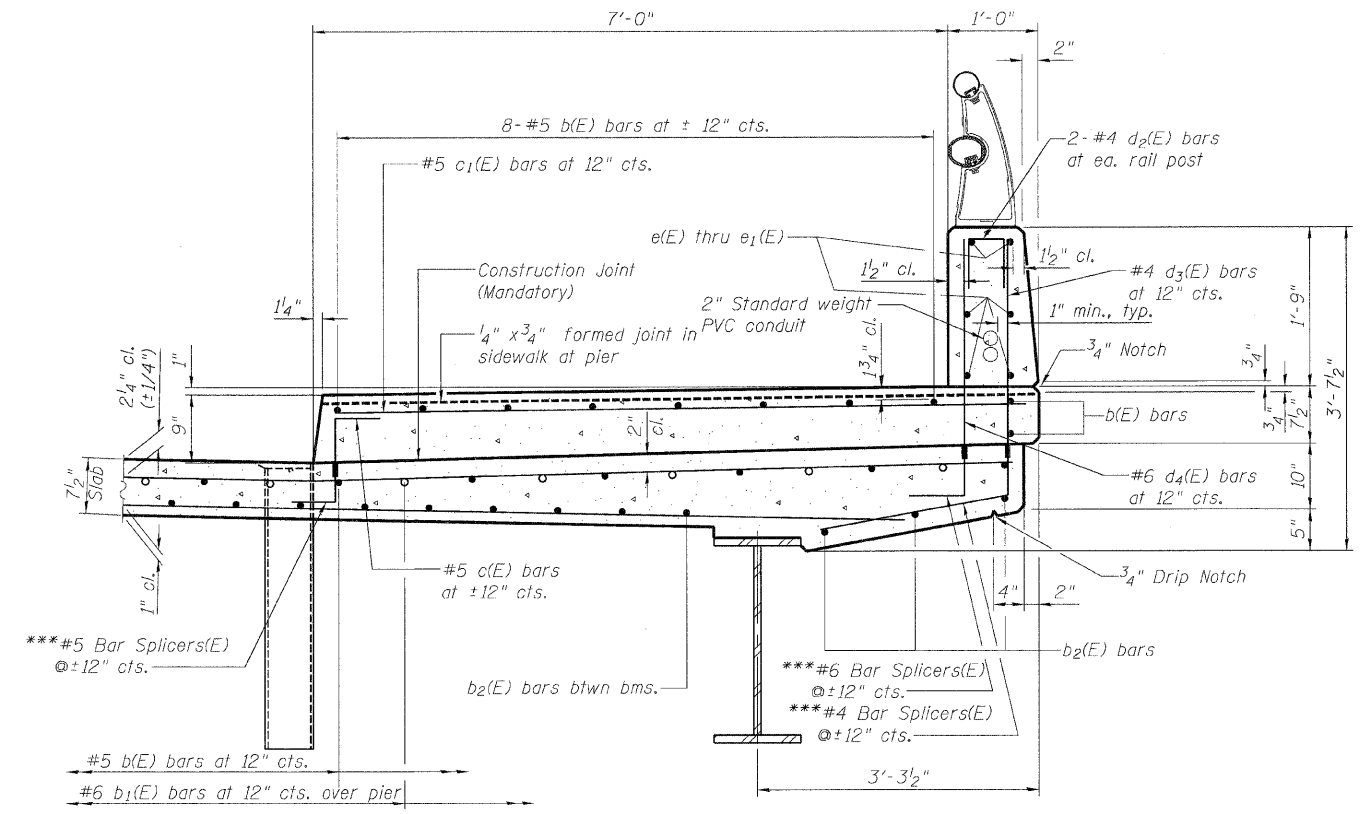


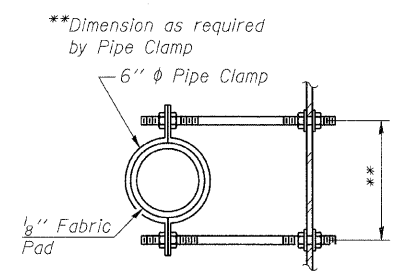
SECTION THRU PARAPET



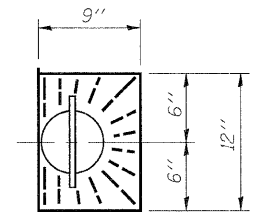
SECTION THRU MEDIAN



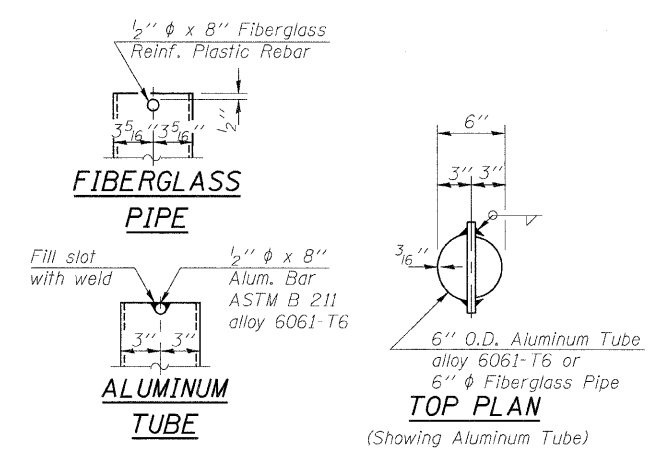
SECTION THRU SIDEWALK



SECTION B-B



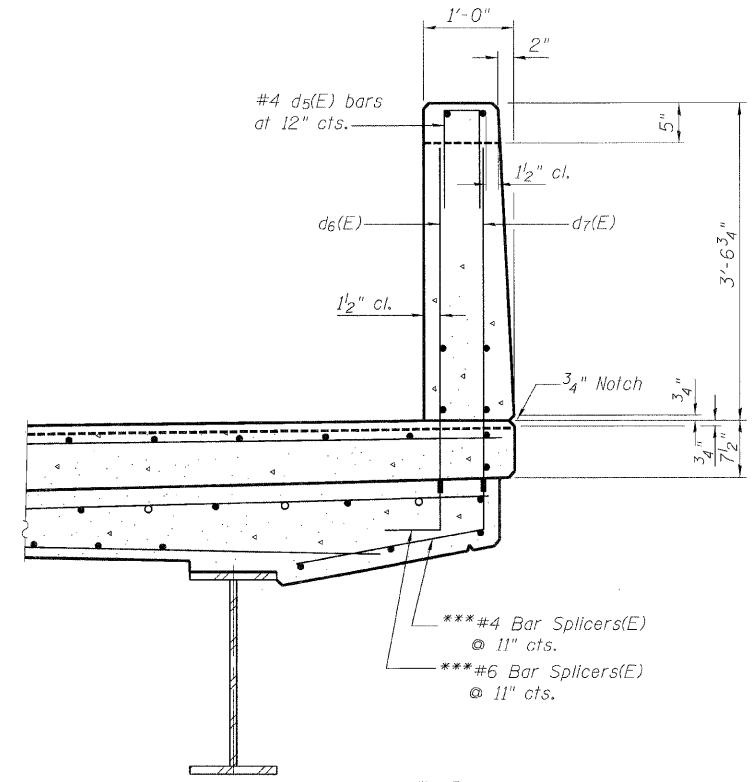
TOP PLAN



FIBERGLASS PIPE

ALUMINUM TUBE

TOP PLAN (Showing Aluminum Tube)



SECTION B-B SECTION THRU SIDEWALK PARAPET AT ENDS OF DECK

***See Dwg. S-22 for Bar Splicer Details.

Notes:
1. See Dwg. S-15 for Aluminum Railing, Type L Details.
2. See Dwg. S-14 for Light Pole Base Details.

NOTES:
1. The exterior surfaces of the floor drains shall be painted with the finish coat as specified in the special provisions for Cleaning and Painting New Metal Structures. The exterior surfaces of the drains shall be cleaned according to Steel Structures Painting Council's Spec. SSPC-SP1 prior to painting.
2. Fiberglass pipe shall conform to ASTM D 2996, with short-time rupture strength hoop tensile stress of 30,000 p.s.i. minimum.

PARAPET, MEDIAN AND SIDEWALK DETAILS

MANHATTAN-MONEE ROAD (CH-6)
OVER I-57
F.A. I-57 SEC. 99(1&2) R 389-IHB-1-BR2
WILL COUNTY STA. 14037+43.90
STRUCTURE NUMBER 099-4647

DESIGN FIRM REGISTRATION
No. 184-000450
Clark Dietz
ENGINEERS
1817 SOUTH NEIL STREET
SUITE 100
CHAMPAIGN, IL 61820
PHONE : 217.373.8900
FAX : 217.373.8923

NOTE: DIMENSIONAL DATA IS NOT TO BE OBTAINED BY SCALING ANY PORTION OF THIS DRAWING.

DESIGNED BY: SMM PROJECT NO: 102230
DRAWN BY: MEW/SLD DATE: 06/2008
CHECKED BY: SLD
APPROVED BY: SMM
ACTIVITY INITIALS

DRAWING NUMBER
S-11