

**SUPERSTRUCTURE
BILL OF MATERIAL**

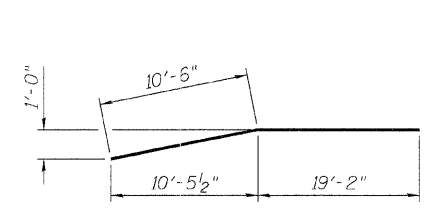
*SEC. 99 (1&2) R 3&9-IHB-1-BR2

ROUTE NO.	SECTION	COUNTY	TOTAL SHEETS	SHEET NO.	SHEET NO. 13
FAI 57	*	WILL	303	167	28 SHEETS
FED. ROAD DIST. NO. 7	ILLINOIS	FED. AID PROJECT			

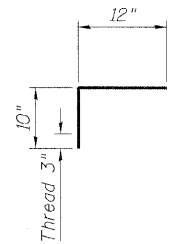
Contract #62253

Bar	No.	Size	Length	Shape
a(E)	425	#5	29'-1"	—
a ₁ (E)	305	#5	28'-6"	—
a ₂ (E)	213	#6	6'-0"	—
a ₃ (E)	425	#5	23'-5"	—
a ₄ (E)	425	#5	30'-5"	—
a ₅ (E)	305	#5	34'-8"	—
a ₆ (E)	305	#5	18'-6"	—
b(E)	744	#5	28'-6"	—
b ₁ (E)	252	#6	26'-6"	—
b ₂ (E)	594	#5	25'-7"	—
b ₃ (E)	40	#5	24'-8"	—
b ₄ (E)	5	#5	29'-8"	—
c(E)*	213	#5	1'-10"	—
c ₁ (E)	213	#5	7'-8"	—
c ₂ (E)	213	#5	3'-8"	—
c ₃ (E)*	426	#5	1'-6"	—
d(E)	232	#5	5'-7"	—
d ₁ (E)	232	#5	7'-9"	—
d ₂ (E)	50	#4	2'-0"	—
d ₃ (E)*	205	#4	2'-5"	—
d ₄ (E)*	205	#6	2'-5"	—
d ₅ (E)	10	#4	2'-10"	—
d ₆ (E)*	10	#4	3'-10"	—
d ₇ (E)*	10	#6	3'-10"	—
d ₈ (E)	10	#6	8'-11"	—
d ₉ (E)	3	#6	4'-5"	—
d ₁₀ (E)	3	#6	4'-1"	—
e(E)	70	#4	17'-0"	—
e ₁ (E)	26	#4	19'-3"	—
e ₂ (E)	6	#8	31'-3"	—
e ₃ (E)	2	#8	19'-3"	—
e ₄ (E)	8	#4	22'-8"	—
e ₅ (E)	2	#4	19'-3"	—
e ₆ (E)	60	#5	16'-2"	—
m(E)	4	#6	28'-7"	—
m ₁ (E)	6	#6	29'-4"	—
m ₂ (E)	44	#6	9'-9"	—
m ₃ (E)	18	#6	7'-2"	—
m ₄ (E)	4	#6	3'-0"	—
m ₅ (E)	4	#6	3'-5"	—
m ₆ (E)	8	#6	26'-11"	—
m ₇ (E)	12	#6	27'-3"	—
s ₈ (E)	152	#5	6'-9"	—
s ₉ (E)	152	#4	10'-6"	—
v ₄ (E)	160	#5	3'-10"	—
Reinforcement Bars, Epoxy Coated	Pound	127,630		
Concrete Superstructure	Cu. Yds.	609.6		
Bar Splicers	Each	1,985		

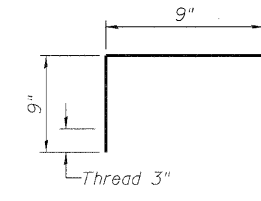
Bars indicated thus 1 x 3-#5 etc. indicates 1 line of bars with 3 lengths per line.



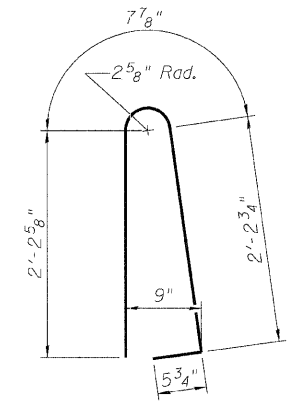
BAR b₄(E)



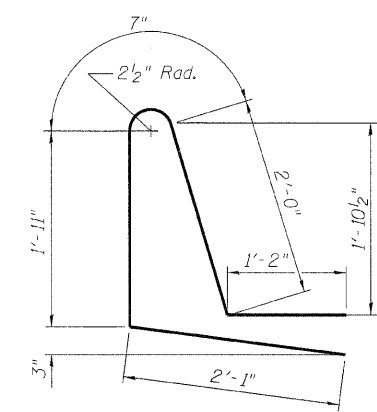
BAR c(E)*



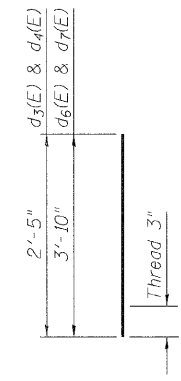
BAR c₃(E)*



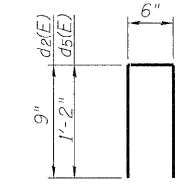
BAR d(E)



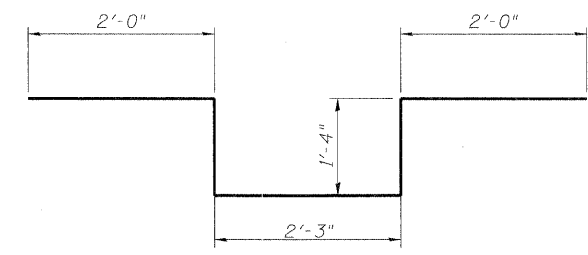
BAR d₁(E)



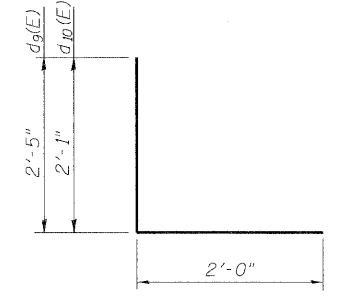
BARS d₃(E)*, d₄(E)*, d₆(E)* & d₇(E)*



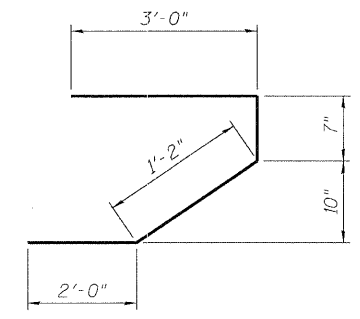
BAR d₂(E) & d₅(E)



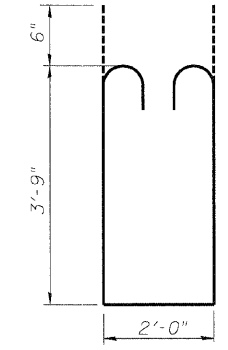
BAR d₈(E)



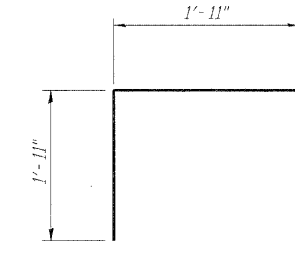
BARS d₉(E) & d₁₀(E)



BAR s₈(E)



BAR s₉(E)



BAR v₄(E)

* Bars c(E), c₃(E), d₃(E), d₄(E), d₆(E), and d₇(E) to be furnished by bar splicer supplier and cost included in the contract unit price for Bar Splicers. See Sheet 22 of 28 for bar splicer assembly details.

SUPERSTRUCTURE BILL OF MATERIAL
 MANHATTAN-MONEE ROAD (CH-6)
 OVER I-57
 F.A. I-57 SEC. 99(1&2) R 3&9-
 IHB-1-BR2
 WILL COUNTY STA. 14037+43.90
 STRUCTURE NUMBER 099-4647

DESIGN FIRM REGISTRATION
 No. 184-000450
Clark Dietz
 ENGINEERS
 1817 SOUTH NEIL STREET
 SUITE 100
 CHAMPAIGN, IL 61820
 PHONE : 217.373.8900
 FAX : 217.373.8923

NOTE: DIMENSIONAL DATA IS NOT TO BE OBTAINED BY SCALING ANY PORTION OF THIS DRAWING.
 DESIGNED BY: SMM PROJECT NO: 102230
 DRAWN BY: MEW/SLD DATE: 06/2008
 CHECKED BY: SLD
 APPROVED BY: SMM
 ACTIVITY INITIALS
 DRAWING NUMBER
S-13