

NOTES:

1. See notes on Dwg. S-17.
2. For camber diagram see Dwg. S-27.
3. All structural steel for Plate Girders, Bearing Stiffeners, Bearings and Splice Plates except Fill Plates shall be AASHTO M270 Grade 50.

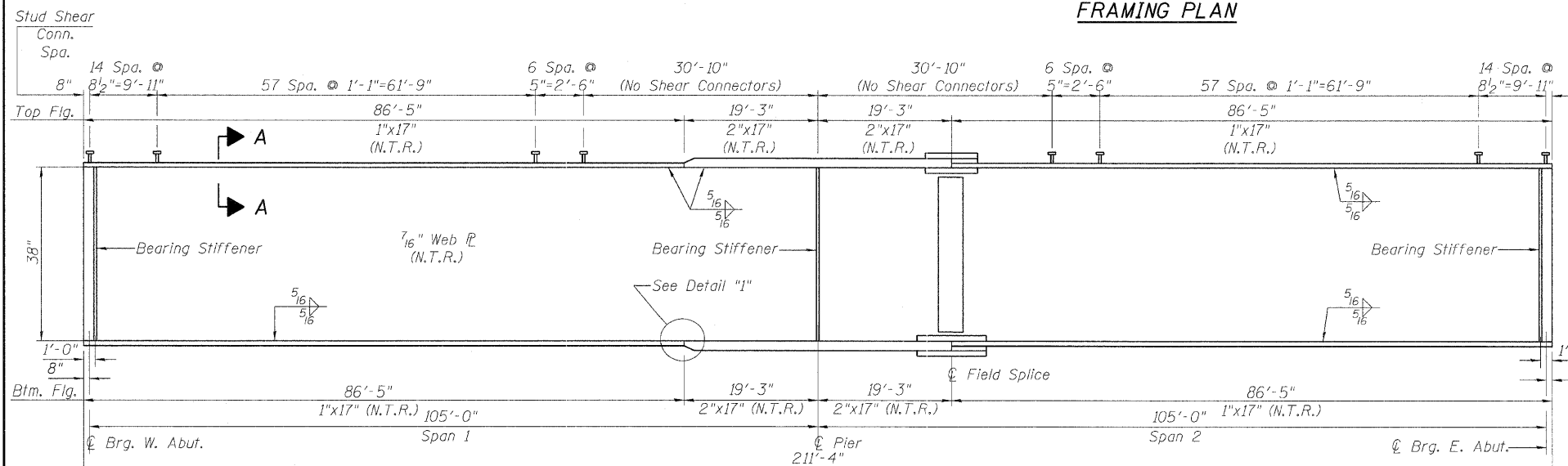
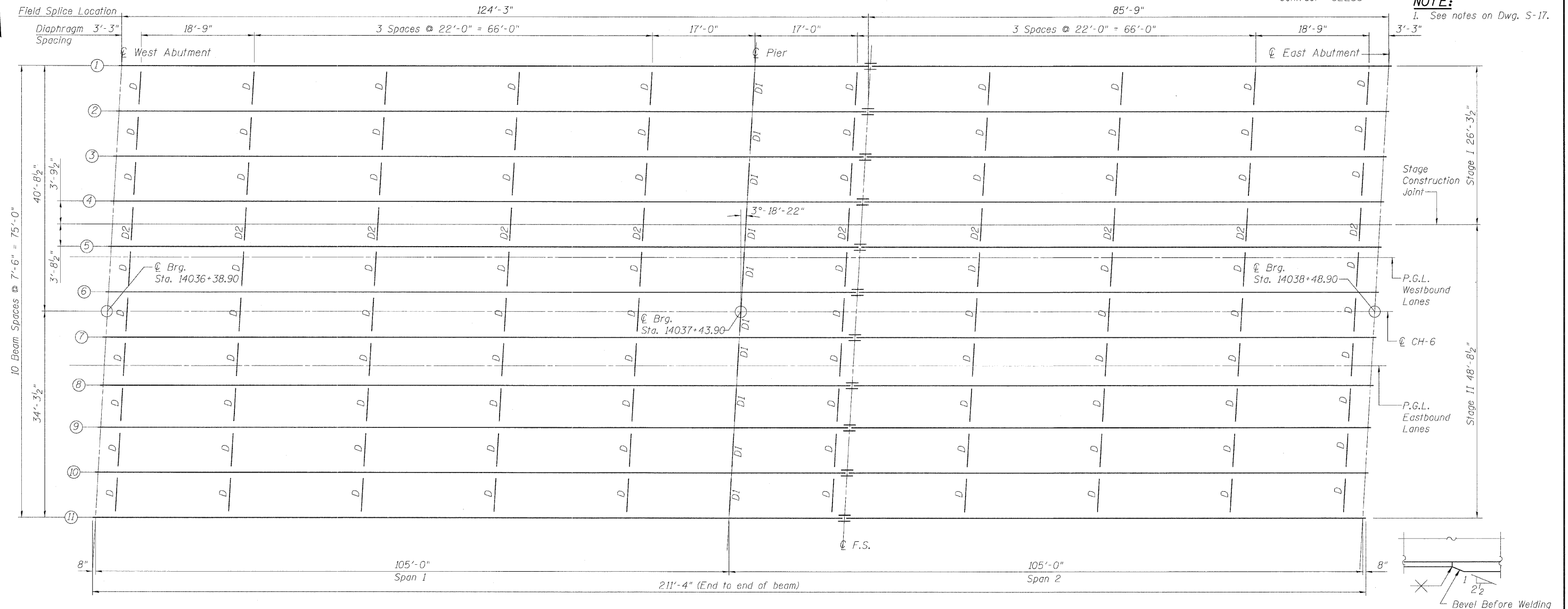
*SEC. 99 (1&2) R 3&9-1HB-1-BR2

ROUTE NO.	SECTION	COUNTY	TOTAL SHEETS	SHEET NO.
FAI 57	*	WILL	303	170
FED. ROAD DIST. NO. 7		ILLINOIS		FED. AID PROJECT

Contract #62253

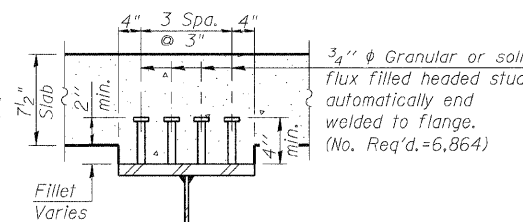
NOTE:

1. See notes on Dwg. S-17.



TOP OF WEB ELEVATIONS
(For Fabrication only)

GIRDER	¢ BRG. W. ABUT.	¢ BRG. PIER	F.S.	¢ BRG. E. ABUT.
#1	802.698	803.098	803.098	802.640
#2	802.844	803.250	803.244	802.795
#3	802.990	803.400	803.395	802.949
#4	803.135	803.550	803.546	803.104
#5	803.281	803.700	803.696	803.258
#6	803.426	803.850	803.847	803.413
#7	803.400	803.828	803.827	803.395
#8	803.246	803.678	803.677	803.250
#9	803.091	803.528	803.528	803.104
#10	802.937	803.378	803.379	802.959
#11	802.782	803.228	803.230	802.813



FRAMING PLAN

MANHATTAN-MONEE ROAD (CH-6)
OVER I-57

F.A. I-57 SEC. 99(1&2) R 3&9-1HB-1-BR2
WILL COUNTY STA. 14037+43.90
STRUCTURE NUMBER 099-4647

Clark Dietz ENGINEERS

DESIGN FIRM REGISTRATION No. 184-000450
1817 SOUTH NEIL STREET SUITE 100 CHAMPAIGN, IL 61820
PHONE : 217.373.8900 FAX : 217.373.8923

NOTE: DIMENSIONAL DATA IS NOT TO BE OBTAINED BY SCALING ANY PORTION OF THIS DRAWING.

DESIGNED BY: SMM PROJECT NO: 102230
DRAWN BY: MEW/SLD DATE: 05/28/08
CHECKED BY: SLD
APPROVED BY: SMM
ACTIVITY INITIALS

DRAWING NUMBER **S-16**

Note: 1" Holes for m_p(E) bars not shown for clarity. See Sheet S-17 for Typical End of Beam Detail.

"NTR" denotes plates to which notch toughness requirements are applicable.