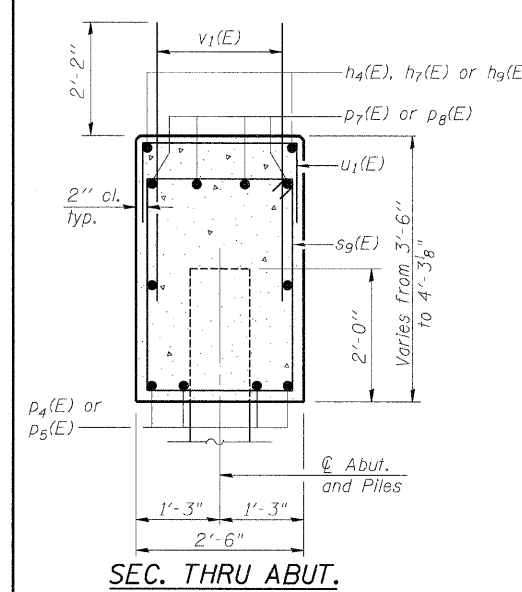


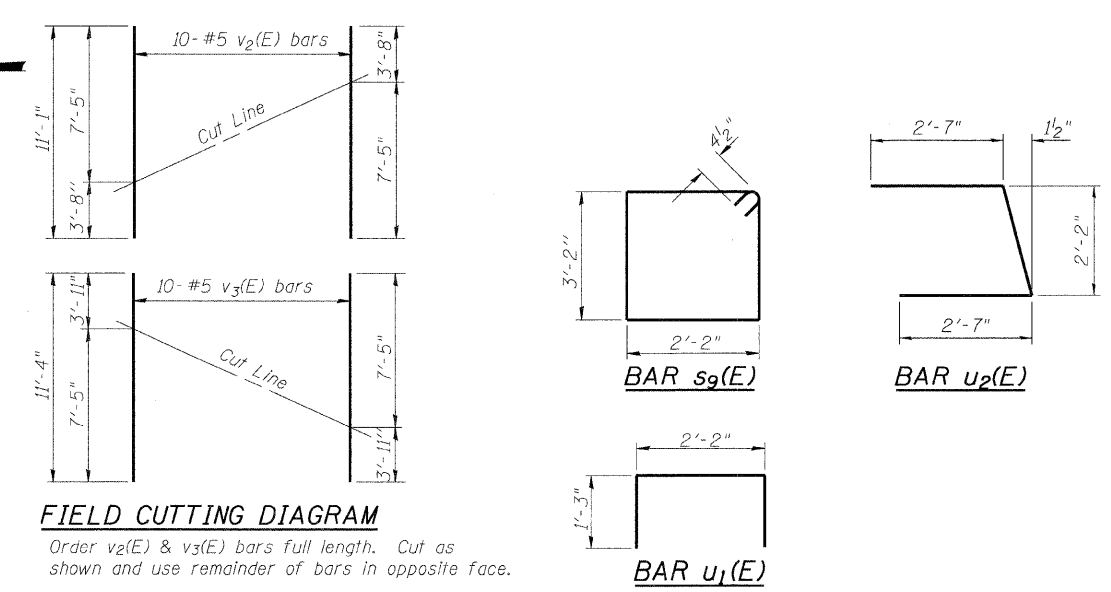
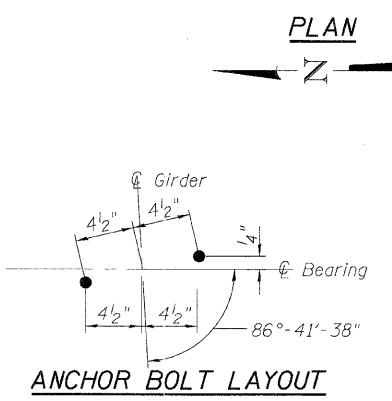
- NOTES**
1. Pour steps monolithically with cap.
 2. Bars indicated thus 20 x 3-#5 etc. indicates 20 lines of bars with 3 lengths per line.
 3. For details of Bar Splicers, see Dwg. S-22.
 4. For details of piles and Concrete Encasement, see Dwg. S-24.

**EAST ABUTMENT
BILL OF MATERIAL**

Bar	No.	Size	Length	Shape
h4(E)	2	#5	14'-8"	—
h7(E)	2	#5	7'-2"	—
h9(E)	2	#5	37'-1"	—
h10(E)	36	#5	12'-0"	—
p7(E)	10	#7	29'-3"	—
p8(E)	20	#7	27'-11"	—
s9(E)	77	#4	12'-2"	□
u1(E)	47	#5	4'-8"	—
u2(E)	8	#6	5'-2"	—
v1(E)	164	#5	4'-4"	—
v2(E)	10	#5	11'-1"	—
v3(E)	10	#5	11'-4"	—
Concrete Structures	Cu. Yd.	33.5		
Reinforcement Bars, Epoxy Coated	Pound	4,190		
Structure Excavation	Cu. Yd.	29		
Furnishing Steel Piles HP10x42	Foot	924		
Driving Piles	Foot	924		
Test Pile Steel HP10x42	Each	1		
Bar Splicers	Each	12		
Concrete Encasement	Cu. Yd.	4.0		



PILE DATA
 Type: HP10x42
 Nominal Req'd Bearing: 333 kips
 Allowable Resistance Available: 111 kips
 Est. Length: 66'
 No. Required: 14 + 1 Test Pile



EAST ABUTMENT
 MANHATTAN-MONEE ROAD (CH-6)
 OVER I-57
 F.A. I-57 SEC. 99(1&2) R 38.9-1HB-1-BR2
 WILL COUNTY STA. 14037+43.90
 STRUCTURE NUMBER 099-4647

DESIGN FIRM REGISTRATION No. 184-000480
Clark Dietz ENGINEERS
 1817 SOUTH NEIL STREET SUITE 100
 CHAMPAIGN, IL 61820
 PHONE : 217.373.8900
 FAX : 217.373.8923

NOTE: DIMENSIONAL DATA IS NOT TO BE OBTAINED BY SCALING ANY PORTION OF THIS DRAWING.

DESIGNED BY: SMM PROJECT NO: 102230
 DRAWN BY: MEW/SLD DATE: 05/22/08
 CHECKED BY: SLD
 APPROVED BY: SMM
 ACTIVITY INITIALS

DRAWING NUMBER
S-19