

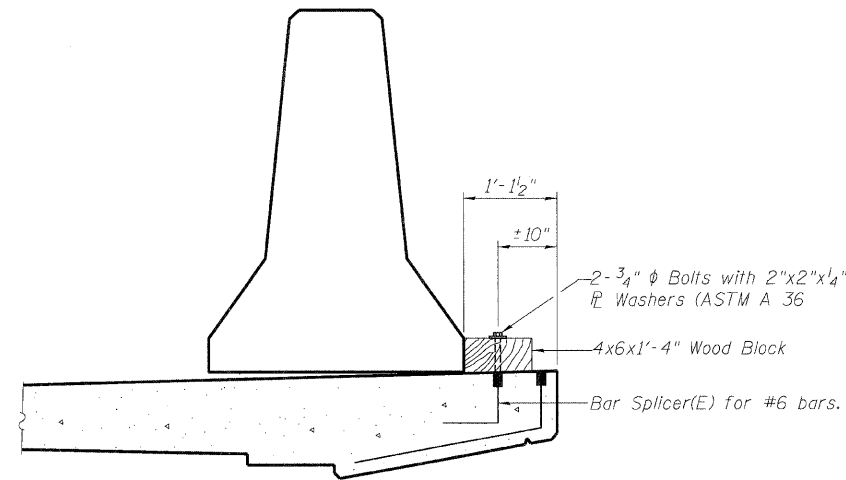
When "A" is 3'-6" or less, the temporary concrete barrier shall be anchored to the new slab according to Detail I or Detail II. No anchorage is required when "A" is greater than 3'-6".

NEW SLAB

EXISTING SLAB

SECTIONS THRU SLAB

***Dimension shown is minimum required embedment into concrete.
If hot-mix asphalt wearing surface is present, minimum embedment shall be in addition to wearing surface depth.
***If existing deck beam is to remain in place after stage construction, embedment shall only be into wearing surface and not into existing deck beam concrete.



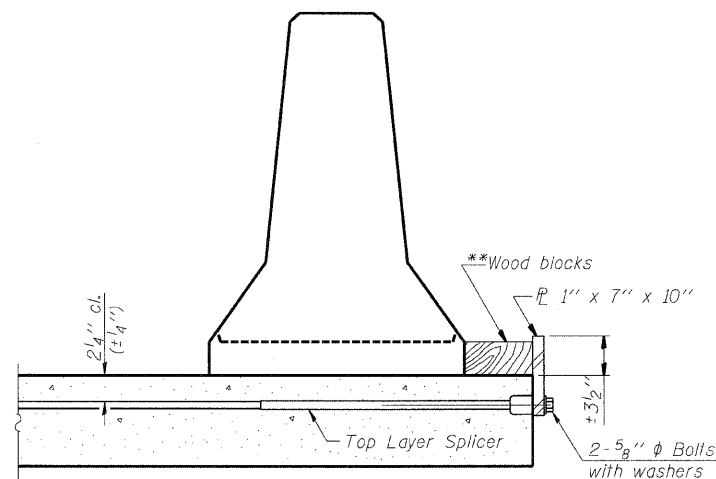
EDGE OF DECK ANCHOR DETAIL

NOTES

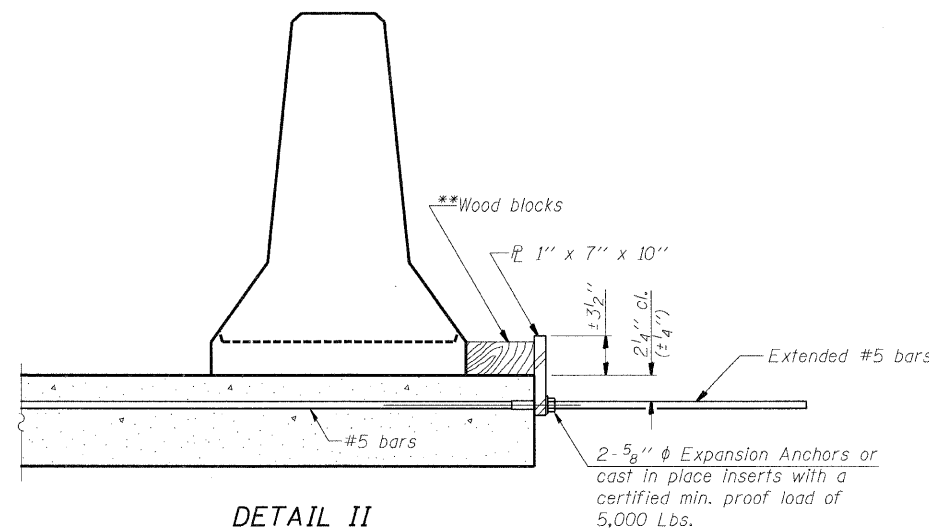
Detail I - With Bar Splicer or Couplers:
Connect one (1) 1"x7"x10" steel PL to the top layer of couplers with 2-5/8" ϕ bolts screwed to coupler at approximate ϕ of each barrier panel.

Detail II - With Extended Reinforcement Bars:
Connect one (1) 1"x7"x10" steel PL to the concrete slab or concrete wearing surface with 2-5/8" ϕ Expansion Anchors or cast in place inserts spaced between the top layer of reinforcement at approximate ϕ of each barrier panel.

Cost of anchorage is included with Temporary Concrete Barrier. The 1" x 7" x 10" plate shall not be removed until stage II construction forms and all reinforcement bars are in place and the concrete is ready to be placed.

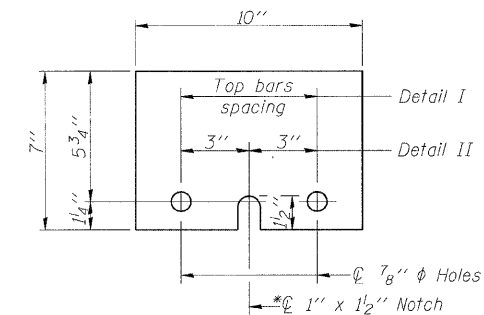


DETAIL I



DETAIL II

**Wood blocks may be omitted when required to provide minimum stage traffic lane width. When the wood blocks are omitted, the concrete barrier shall be in direct contact with the steel retainer plate.



STEEL RETAINER PL 1" x 7" x 10"

*Required only with Detail II

TEMPORARY CONCRETE BARRIER FOR STAGE CONSTRUCTION

MANHATTAN-MONEE ROAD (CH-6) OVER I-57
F.A. I-57 SEC. 99(1&2) R 389-IHB-1-BR2
WILL COUNTY STA. 14037+43.90
STRUCTURE NUMBER 099-4647

DESIGN FIRM REGISTRATION No. 184-000450
1817 SOUTH NEIL STREET SUITE 100
CHAMPAIGN, IL 61820
PHONE : 217.373.8900
FAX : 217.373.8923

Clark Dietz ENGINEERS

NOTE: DIMENSIONAL DATA IS NOT TO BE OBTAINED BY SCALING ANY PORTION OF THIS DRAWING.		DRAWING NUMBER
DESIGNED BY: SMM	PROJECT NO: 102230	S-23
DRAWN BY: MEW/SLD	DATE: 06/2008	
CHECKED BY: SLD		
APPROVED BY: SMM		
ACTIVITY	INITIALS	