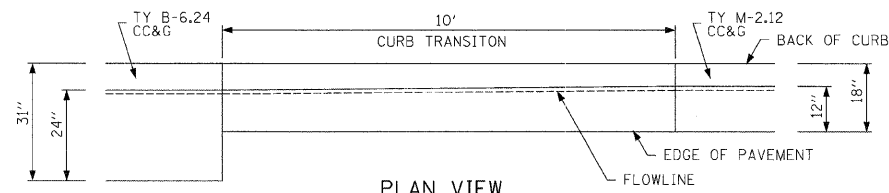
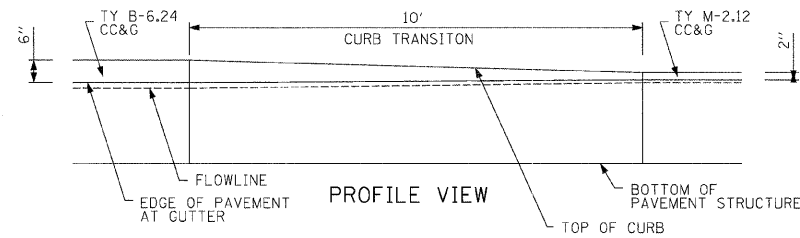


F.A.I. RTE.	SECTION	COUNTY	TOTAL SHEETS	SHEET NO.
57		WILL	303	205
STA.	TO STA.			
FED. ROAD DIST. NO.	ILLINOIS	FED. AID PROJECT		
991421 R-389-118-1-BR-2	CONTRACT: 62253			

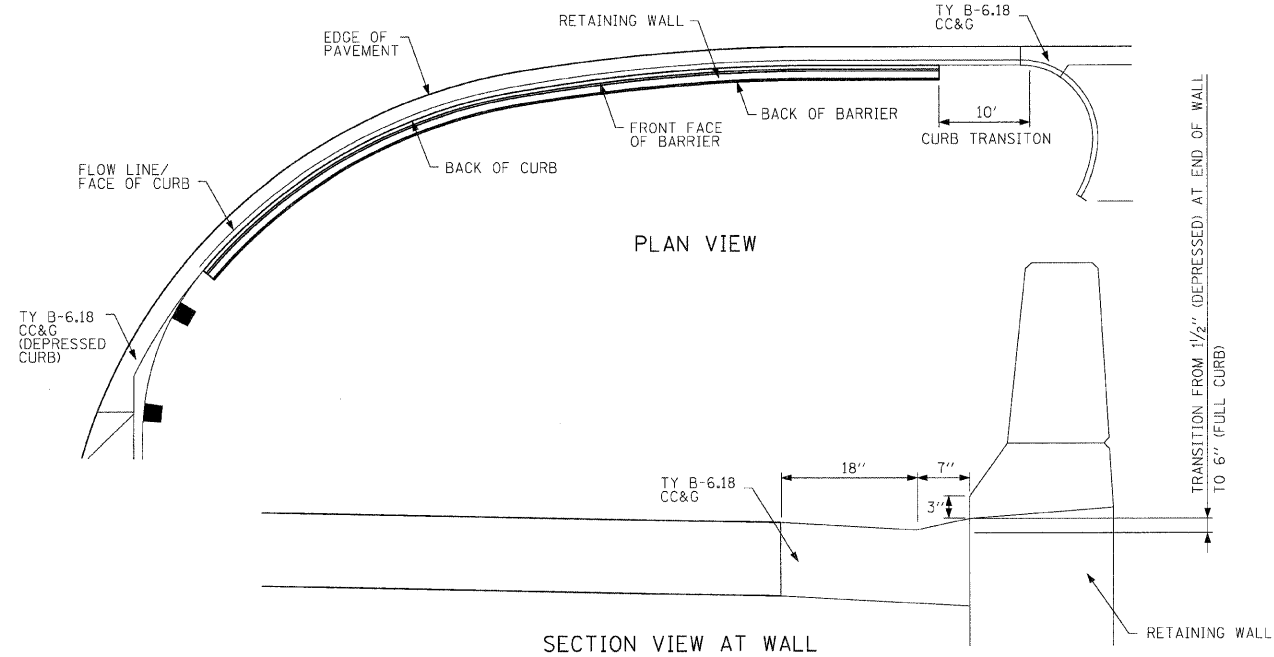


PLAN VIEW



PROFILE VIEW

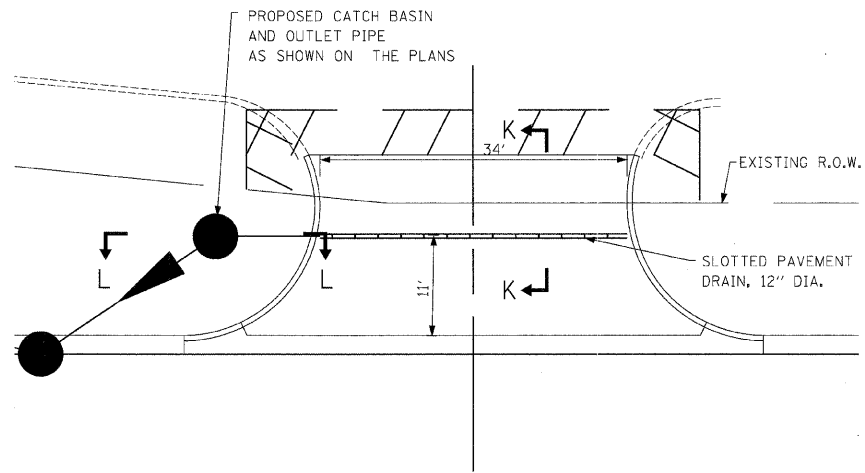
COMBINATION CONCRETE CURB AND GUTTER TRANSITION TYPE 1



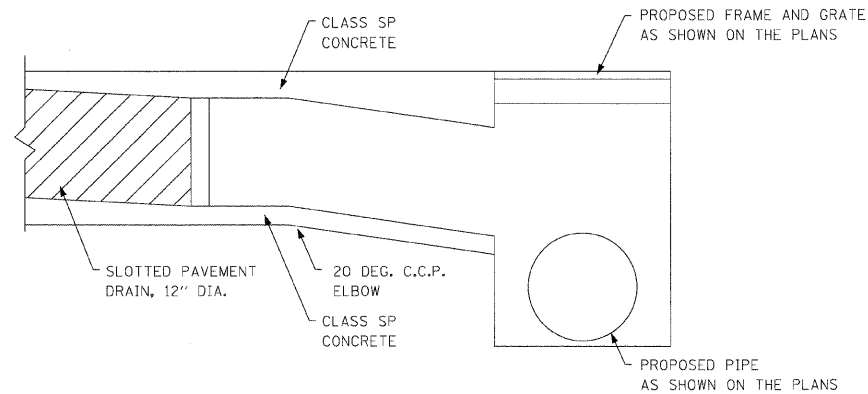
PLAN VIEW

SECTION VIEW AT WALL

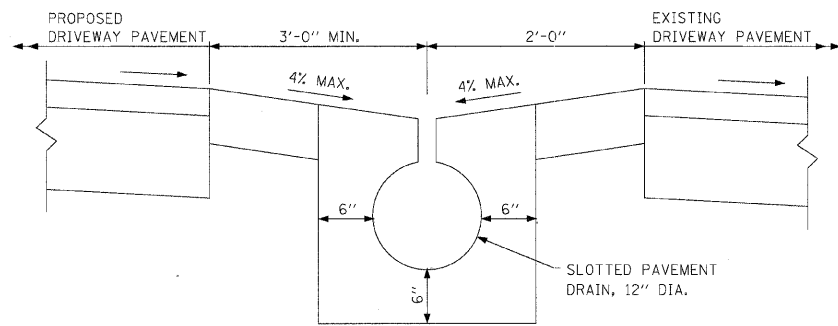
COMBINATION CONCRETE CURB AND GUTTER TRANSITION TYPE 2 (AT RETAINING WALL)



PLAN VIEW



SECTION L-L



SECTION K-K

NOTES FOR SLOTTED PAVEMENT DRAIN:

1. SLOTTED PAVEMENT DRAINS SHALL BE 12" DIA. 16 GAUGE, FULL BITUMINOUS COATED WITH PAVED INVERT UNLESS OTHERWISE SPECIFIED.
2. SLOTTED PAVEMENT DRAINS SHALL BE INSTALLED IN A CONTOURED TRENCH AND BACKFILLED WITH CLASS SP CONCRETE.
3. THE UPSTREAM END OF EACH SLOTTED PAVEMENT DRAIN, 12" DIA. INSTALLATION SHALL BE SEALED WITH A WELDED END PLATE IN ACCORDANCE WITH MANUFACTURERS SPECIFICATIONS, UNLESS CONNECTED TO A DRAINAGE STRUCTURE.
4. DEPTH OF SLOT CAN BE VARIED FROM 6" MINIMUM TO 12" MAXIMUM TO INCREASE SLOPE OF PIPE AS DETAILED FOR EACH SITE.
5. AN AASHTO M194 (ASTM C 494) TYPE G ADMIXTURE SHALL BE USED AS DIRECTED BY THE ENGINEER IN THE CLASS SP CONCRETE TO FLUIDIZE THE MIXTURE IN ORDER TO FACILITATE PLACEMENT AND MAINTAIN THE REQUIRED PIPE ALIGNMENT.
6. PAYMENT FOR THIS ITEM SHALL BE AT THE CONTRACT UNIT PRICE PER LINEAL FOOT OF SLOTTED PAVEMENT DRAIN, 12" DIAMETER, OF THE TYPE OF CONSTRUCTION AND SLOT DEPTH SPECIFIED, WHICH PRICE SHALL INCLUDE THE COST OF THE ELBOWS AND CONNECTION TO EXISTING OR PROPOSED INLETS.

DETAIL OF SLOTTED PAVEMENT DRAIN AT STA. 14043+97.72, LT

Clark Dietz
ENGINEERS

DESIGN FIRM REGISTRATION No. 184-000450
118 SOUTH CLINTON STREET SUITE 600 CHICAGO, IL 60661
PHONE : 312.648.9900 FAX : 312.648.0204

REVISIONS	
NAME	DATE

ILLINOIS DEPARTMENT OF TRANSPORTATION
I-57 AT MANHATTAN - MONEE ROAD

CONSTRUCTION DETAILS
CURB TRANSITIONS, SLOTTED DRAIN

SCALE: VERT. NTS
HORIZ. NTS
DATE 9/19/2008

DRAWN BY KLM, MJK
CHECKED BY TMW