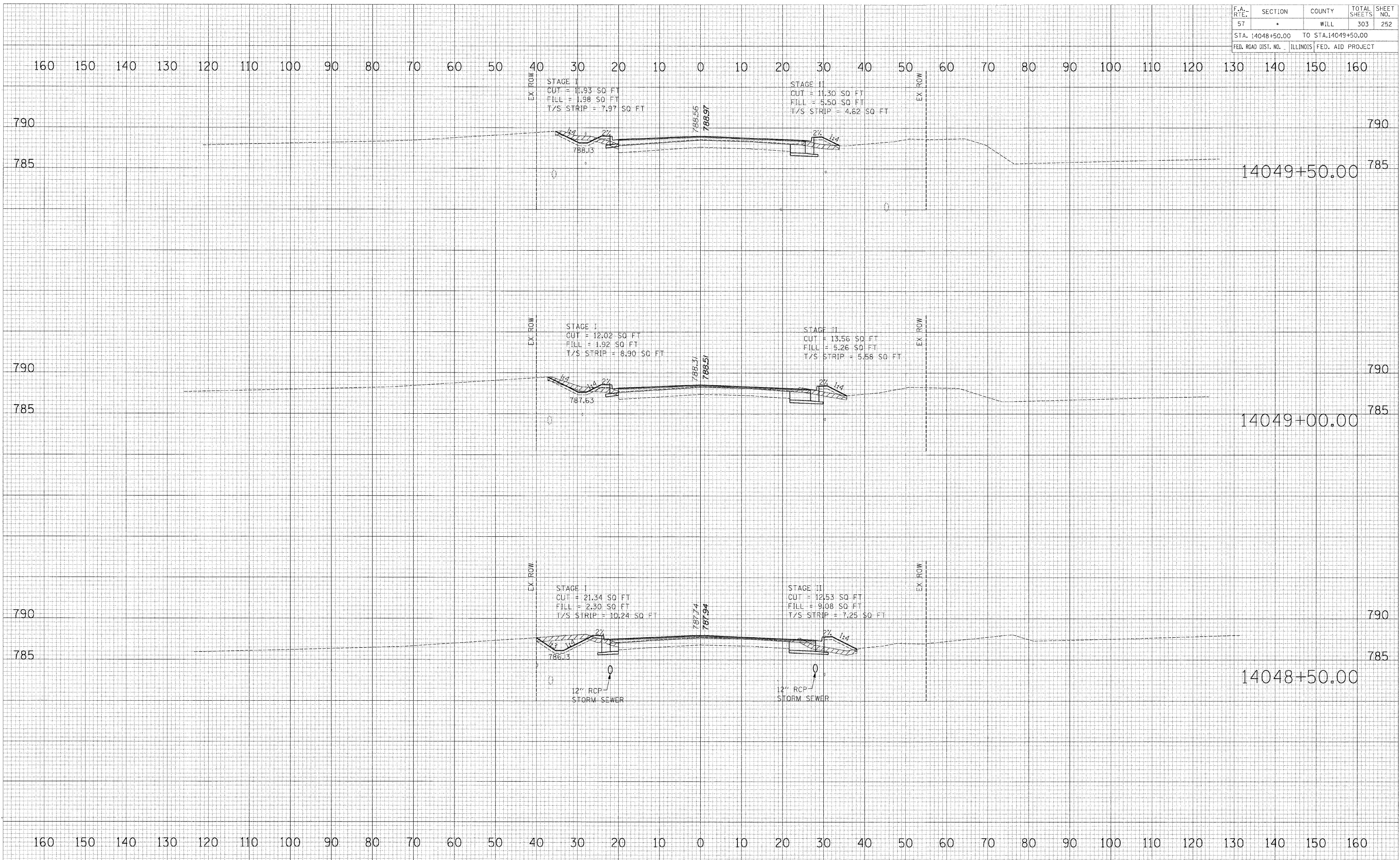


F.A. RTE.	SECTION	COUNTY	TOTAL SHEETS	SHEET NO.
57	*	WILL	303	252
STA. 14048+50.00		TO STA. 14049+50.00		
FED. ROAD DIST. NO.		ILLINOIS	FED. AID PROJECT	

FINAL SURVEY	DATE
SURVEYED	
PLOTTED	
REPLATE	
NO. BOOK	
AREAS CHECKED	

ORIGINAL SURVEY	DATE
SURVEYED	
PLOTTED	
REPLATE	
NO. BOOK	
AREAS CHECKED	

B:\02231\plans\shets\02231xus\02231\02231.dwg  
8/1/2006



CROSS SECTIONS: MANHATTAN - MONEE ROAD