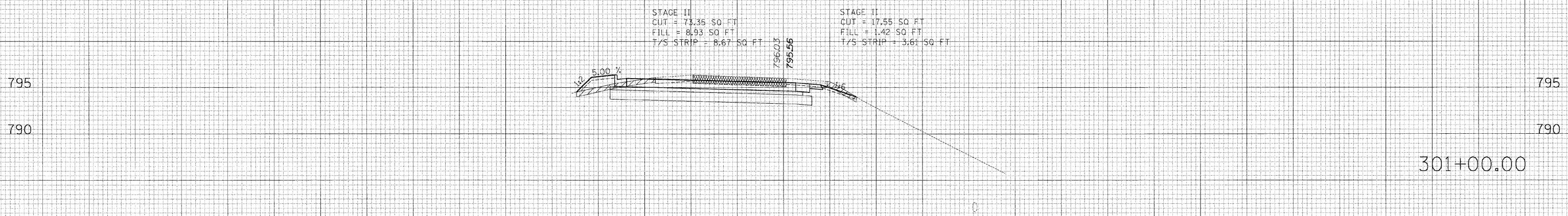
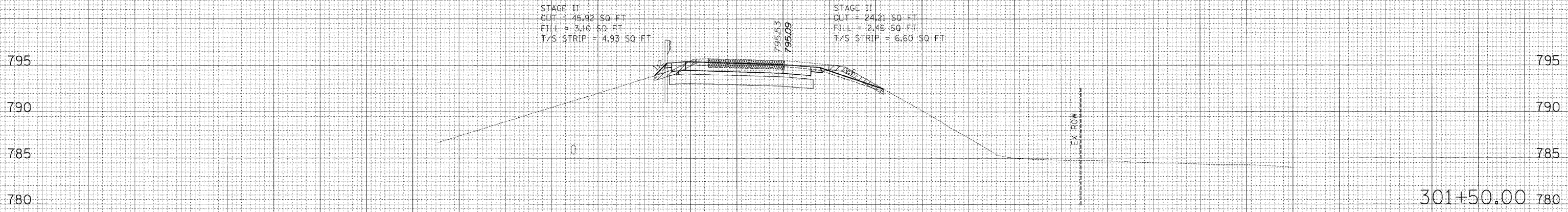


F.A. RTE.	SECTION	COUNTY	TOTAL SHEETS	SHEET NO.
57	*	WILL	303	268
STA. 301+00.00		TO STA. 301+50.00		
FED. ROAD DIST. NO. ILLINOIS FED. AID PROJECT				

160 150 140 130 120 110 100 90 80 70 60 50 40 30 20 10 0 10 20 30 40 50 60 70 80 90 100 110 120 130 140 150 160



160 150 140 130 120 110 100 90 80 70 60 50 40 30 20 10 0 10 20 30 40 50 60 70 80 90 100 110 120 130 140 150 160

DATE	BY

NO.	AREAS CHECKED

DATE	BY

NO.	AREAS CHECKED

\\p02231\p1\area\shero\4\22\23\iss\2301\fig\268.dwg
6/1/2006