

WATERMAIN INSULATION SCHEDULE

STA. TO STA.	WATERMAIN DIA. (IN.)	INSULATION (L.F.)
143+25 TO 144+50	30	125
144+50 TO 145+50*	30	200
155+50 TO 160+00	16	450
160+00 TO 160+75**	16 & 30	225

- * 2 WIDTHS (8 FT.) OF INSULATION REQUIRED.
- ** 3 WIDTHS (12 FT.) OF INSULATION REQUIRED.

WATERMAIN INSULATION NOTES:

WATERMAIN PIPE THAT DOES NOT HAVE A MINIMUM DEPTH OF COVER OF 5 FEET, AS MEASURED FROM THE PROPOSED GROUND SURFACE TO THE TOP OF THE PIPE SHALL BE INSULATED.

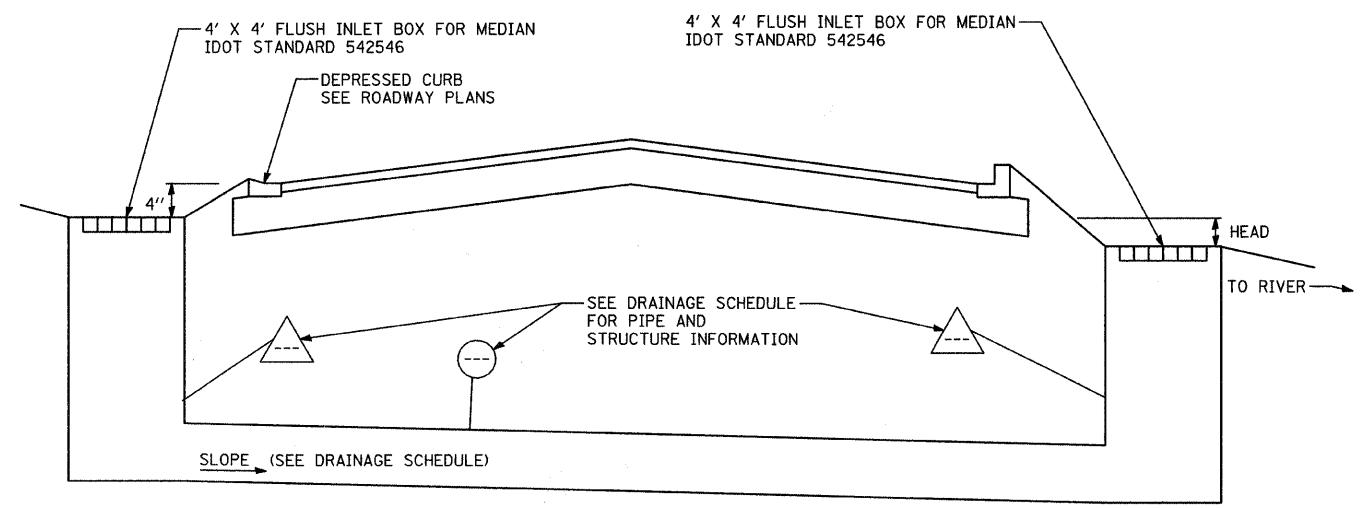
THE PIPE SHALL BE INSULATED WITH A 2-INCH EXTERIOR GRADE RIGID INSULATION BOARD. ONE 2-INCH THICK SHEET OF INSULATION SHALL BE PROVIDED FOR EACH 6 INCHES OF COVER BELOW THE REQUIRED 5-FOOT MINIMUM DEPTH. A MINIMUM OF 5 INCHES OF INSULATION SHALL BE PROVIDED FOR EACH LOCATION REQUIRING INSULATION, AND SHALL BE CENTERED OVER THE PIPE.

THE INSULATION SHALL HAVE A MINIMUM R-VALUE OF R-9 AND COMPLY WITH ASTM C 258-92 1X.

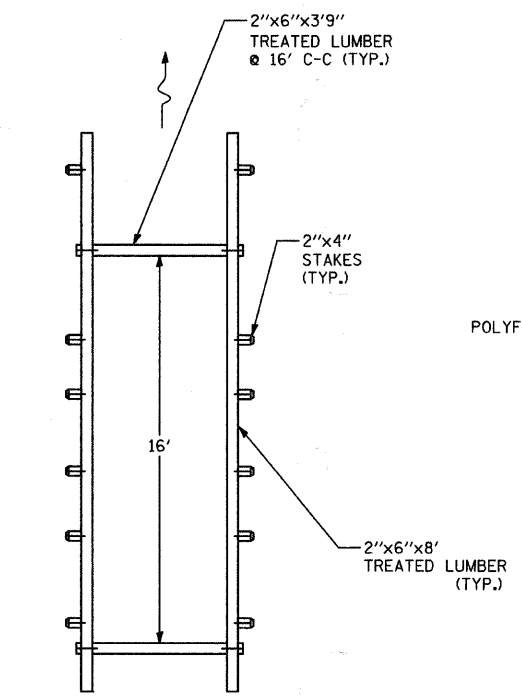
THE LUMBER SHALL BE A PRESERVATIVE TREATED LUMBER AND BE APPROVED BY THE ENGINEER.

THE POLYFILM SHALL BE IN ACCORDANCE WITH ANSI/AWWA C105/A21.5-99 (OR LATEST EDITION). THE POLYETHYLENE FILM SHALL HAVE A MINIMUM THICKNESS OF 0.0008 INCHES (8 MILS). THE MINUS TOLERANCE OF THICKNESS SHALL NOT EXCEED 10 PERCENT (10%) OF THE NOMINAL THICKNESS.

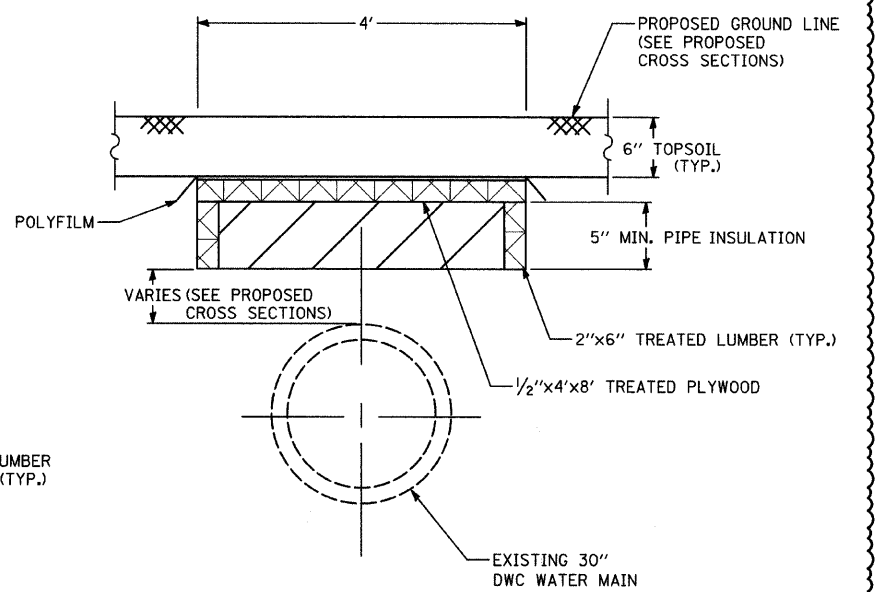
ALL MATERIALS AND LABOR REQUIRED FOR THE INSTALLATION SHALL BE PAID FOR AT THE CONTRACT UNIT PRICE PER FOOT OF WATERMAIN INSULATION.



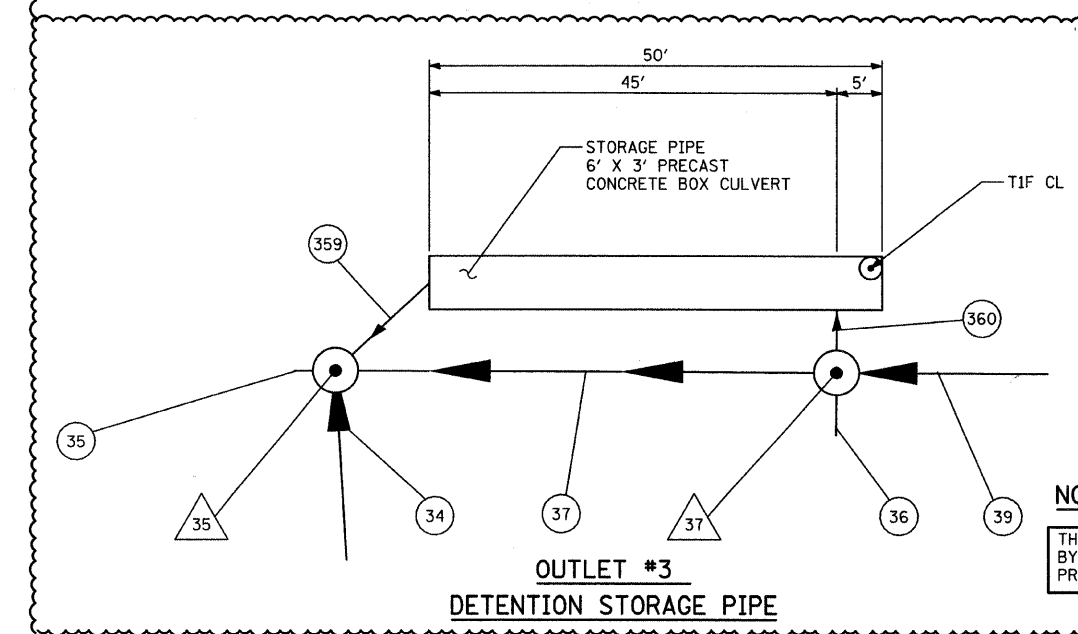
INVERTED SIPHON WITHOUT BACKFLOW PREVENTION



WATERMAIN INSULATION FORM DETAIL PLAN VIEW



WATER MAIN INSULATION



NOTE: DETENTION STORAGE PIPES


THE END CAPS FOR THE STORAGE PIPES SHALL BE DESIGNED AND FURNISHED BY THE PRECAST MANUFACTURER. THIS WORK SHALL BE INCLUDED IN THE PRICE OF THE 6' X 3' PRECAST CONCRETE BOX CULVERT ITEM.

REVISIONS	
NAME	DATE
ADDENDUM 1	08/28/08

INTERSECTION IMPROVEMENT
WASHINGTON STREET - 75th STREET

**DRAINAGE DETAILS
BOX CULVERTS AND SIPHONS**

CONSULTANT
TYLIN INTERNATIONAL

City of  **Naperville**

DRAWN: MBR SHEET NO. _____

CHECKED: _____

APPROVED: _____

DATE: APRIL 11, 2008

SCALE: _____

JOB NO.: P-91-494-00 PROJECT NO.: M-CMM-7003 (985)

P:\60241\road\N_63024.dwg 8/28/2008 4:42:40 PM