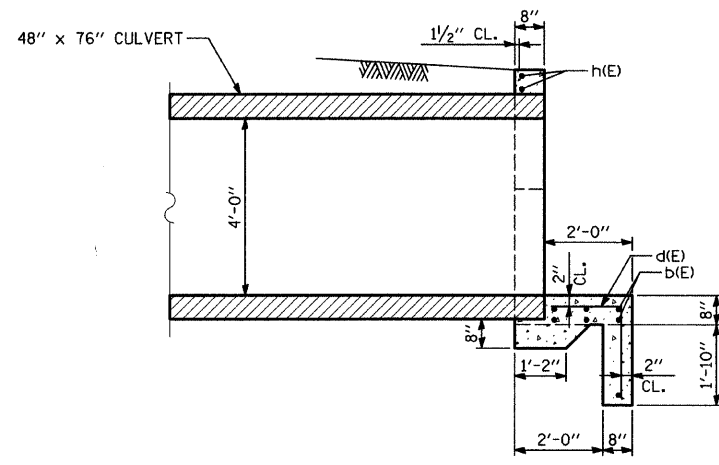
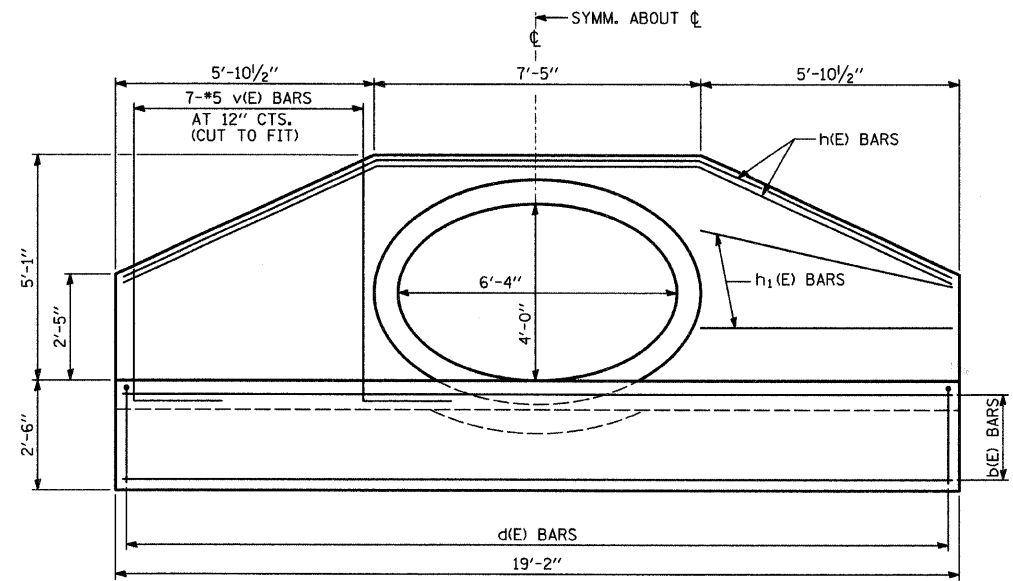


F.A.U. RTE.	SECTION	COUNTY	TOTAL SHEETS	SHEET NO.
2552	00-00114-00-PV	DuPAGE	563	1428
STA.	TO STA.			
FED. ROAD DIST. NO.	ILLINOIS	FED. AID PROJECT		

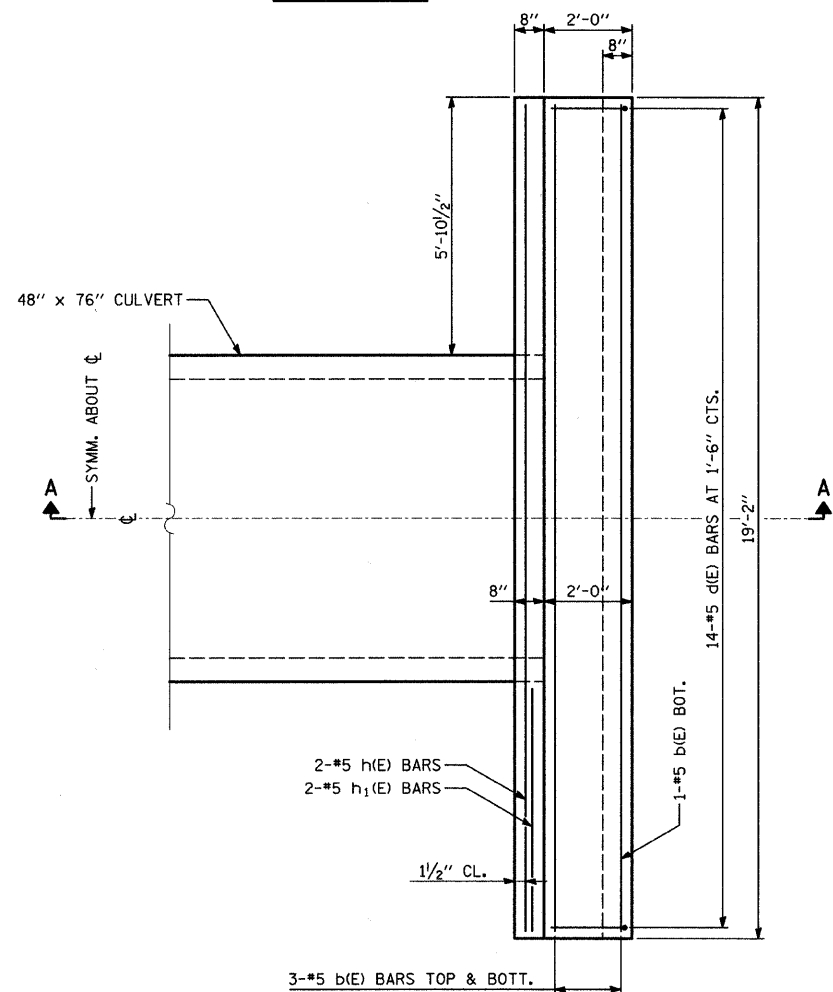
**CONTRACT NO. 63024**



**SECTION A-A**



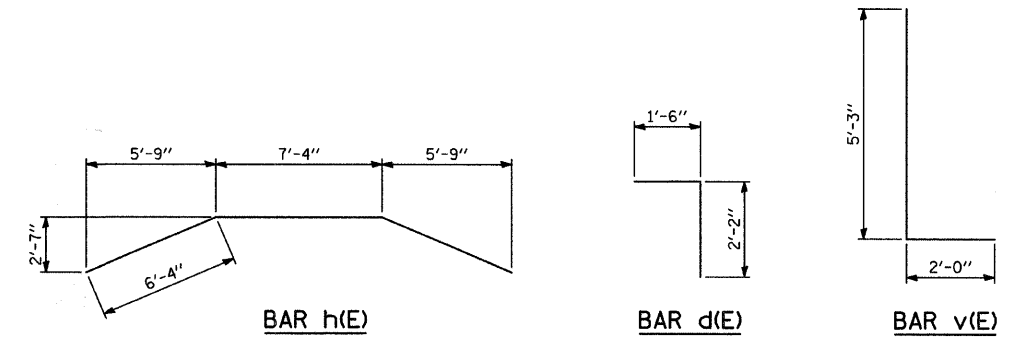
**END ELEVATION**



**PLAN**

**BILL OF MATERIAL**


BAR	NO.	SIZE	LENGTH	SHAPE
b(E)	7	#5	18'-8"	—
d(E)	14	#5	3'-8"	└
h(E)	2	#5	20'-0"	—
h <sub>1</sub> (E)	4	#5	5'-10"	—
v(E)	14	#5	7'-3"	└
REINFORCEMENT BARS, EPOXY COATED			LB	370
STRUCTURE EXCAVATION			CY YD	9
CONCRETE STRUCTURES			CY YD	4



REVISIONS	
NAME	DATE
ADDENDUM 1 - NEW SHEET	8/28/08

INTERSECTION IMPROVEMENT  
WASHINGTON STREET - 75th STREET  
DRAINAGE DETAILS  
REINFORCED CONCRETE  
END SECTION DETAIL

CONSULTANT  
**TYLIN INTERNATIONAL**

City of  **Naperville**

DRAWN: PL SHEET NO. \_\_\_\_\_  
 CHECKED: \_\_\_\_\_  
 APPROVED: \_\_\_\_\_  
 DATE: APRIL 11, 2008  
 SCALE: \_\_\_\_\_  
 JOB NO.: P-91-494-00 PROJECT NO.: M-CMM-7003 (985)

4/11/2008 10:46 PM