

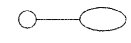
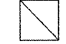
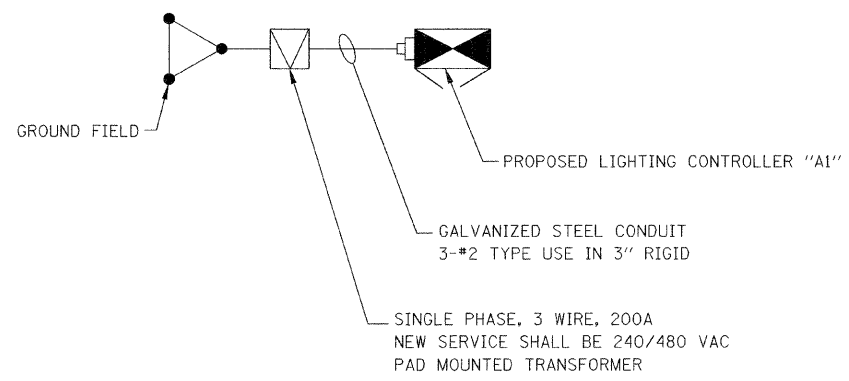


LEGEND

-  PROPOSED LIGHTING CONTROLLER "A1"
-  400W HPS LUMINARE ON LIGHT POLE OR COMBINATION MAST ARM
-  EXISTING LIGHT POLE
-  HAND HOLE



CIRCUIT	POLE NUMBER	PHASE 1 (BLACK) AMP	PHASE 2 (RED) AMP
1	R1, R3, R5	10.0 A	-
2	R7, R9	-	6.6 A
3	R2, R4, R6	10.0 A	-
4	R8	-	3.3 A
5	XP1	3.3 A	-
6	XP3	-	3.3 A
6	XP2	3.3 A	-
SUB-TOTAL		26.6 A	13.2 A
TOTAL		39.8 A	


EXISTING LIGHT POLES SHALL BE CONNECTED TO CIRCUITS 5, 6, AND 7 IN NEW CONTROLLER "A1".



REVISIONS	
NAME	DATE
ADDENDUM 1 - NEW SHEET	8/28/08

INTERSECTION IMPROVEMENT
 WASHINGTON STREET - 75th STREET
 PROPOSED
 LIGHTING CONTROLLER "A1"
 ONE-LINE DIAGRAM
 WASHINGTON STREET

CONSULTANT
TYLIN INTERNATIONAL

City of  **Naperville**

DRAWN: JRH	SHEET NO.
CHECKED: FO	
APPROVED: DEM	
DATE: 04/11/08	
SCALE:	
JOB NO.: P-91-494-00	PROJECT NO.: CMM-7003 (983)