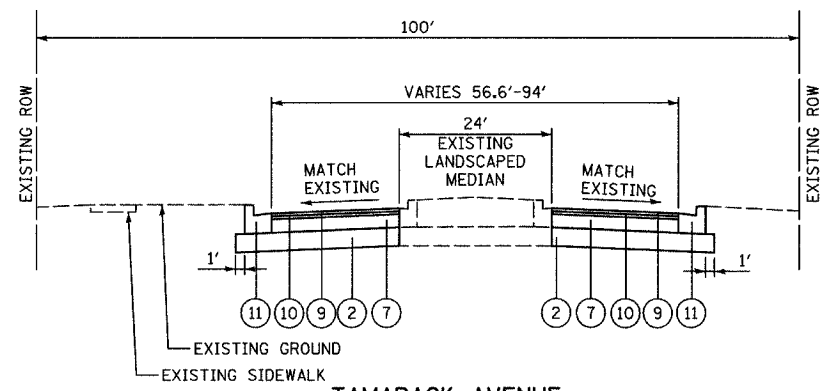
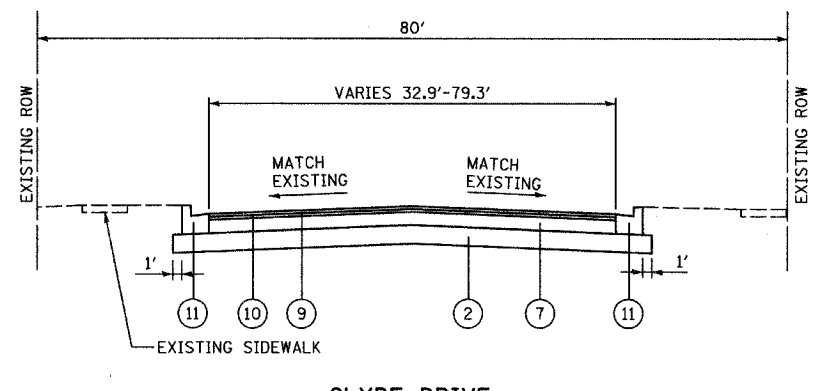


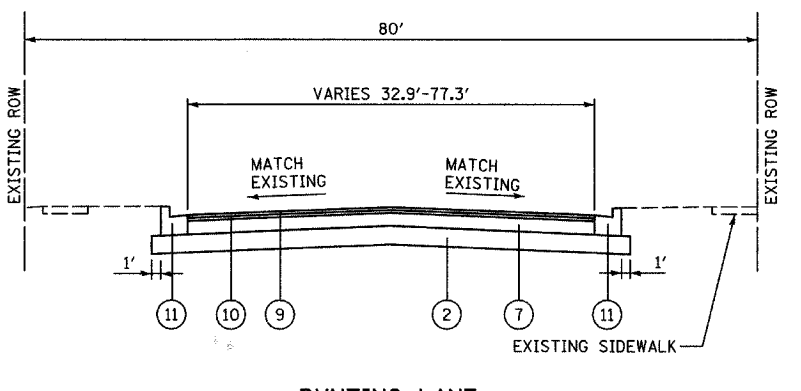
F.A.I.D. SECTION	COUNTY	TOTAL SHEETS	SHEET NO.
2552 00-00114-00-PV	DuPAGE	563	31
STA.	TO STA.		
FED. ROAD DIST. NO.	ILLINOIS	FED. AID PROJECT	
CONTRACT NO. 63024			



**TAMARACK AVENUE**  
**PROPOSED TYPICAL SECTION**  
**AT SIDE STREET CONSTRUCTION LIMIT**  
**(LOOKING WEST)**



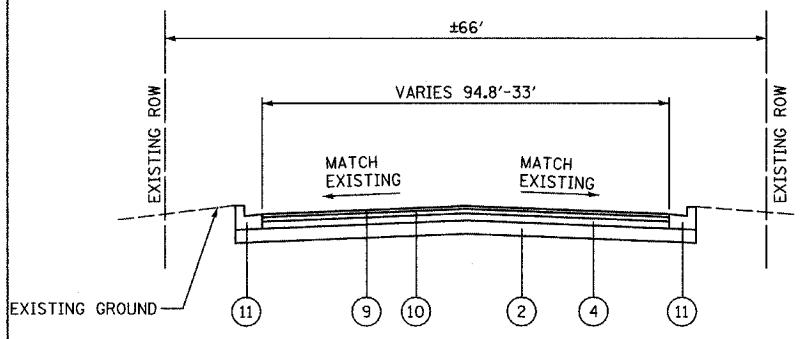
**CLYDE DRIVE**  
**PROPOSED TYPICAL SECTION**  
**AT SIDE STREET CONSTRUCTION LIMIT**  
**(WASHINGTON STREET)**  
**(LOOKING WEST)**



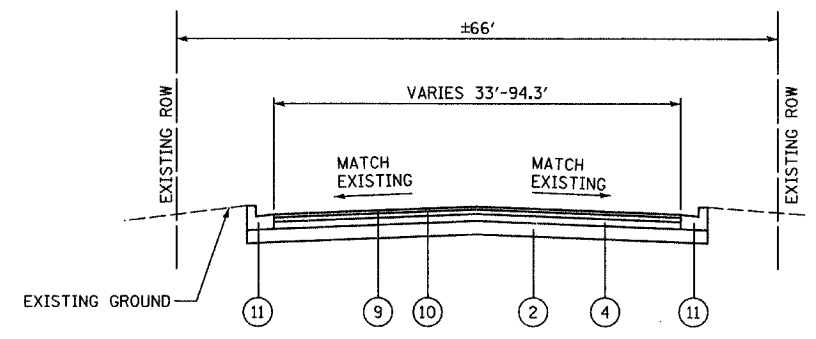
**BUNTING LANE**  
**PROPOSED TYPICAL SECTION**  
**AT SIDE STREET CONSTRUCTION LIMIT**  
**(LOOKING WEST)**

**LEGEND:**

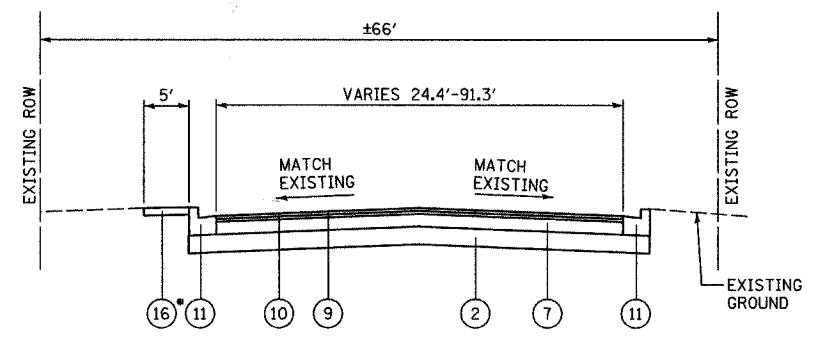
- ① GEOTECHNICAL FABRIC FOR GROUND STABILIZATION
- ② AGGREGATE SUBGRADE 12"
- ③ SUBBASE GRANULAR MATERIAL, TYPE B 9"
- ④ PORTLAND CEMENT CONCRETE BASE COURSE 10"
- ⑤ HOT-MIX ASPHALT SURFACE COURSE, MIX "C", N50 1 1/2"
- ⑥ LEVELING BINDER (MACHINE METHOD), N50 1 1/2"
- ⑦ PORTLAND CEMENT CONCRETE BASE COURSE 8 1/2"
- ⑧ AGGREGATE BICYCLE PATH
- ⑨ POLYMERIZED HOT-MIX ASPHALT SURFACE COURSE, MIX "F", N90 1 3/4"
- ⑩ POLYMERIZED HOT-MIX ASPHALT BINDER COURSE, IL-19.0, N90 2 1/4"
- ⑪ COMBINATION CONCRETE CURB AND GUTTER, TYPE B-6.12
- ⑫ COMBINATION CONCRETE CURB AND GUTTER, TYPE B-6.24
- ⑬ COMBINATION CONCRETE CURB AND GUTTER, TYPE B-6.24 (SPECIAL)
- ⑭ COMBINATION CONCRETE CURB AND GUTTER, TYPE M-4.24 (VARIABLE WIDTH GUTTER FLAG)
- ⑮ CONCRETE MEDIAN SURFACE, 4"
- ⑯ PORTLAND CEMENT CONCRETE SIDEWALK 5 INCH
- ⑰ HOT-MIX ASPHALT SHOULDERS, 6"
- ⑱ STEEL PLATE BEAM GUARDRAIL, TYPE A OR B (SEE PROPOSED PLANS)
- ⑲ LANDSCAPED MEDIAN (SEE LANDSCAPING PLANS)
- ⑳ LANDSCAPED AREA (SEE LANDSCAPING PLANS)
- ㉑ RETAINING WALL (SEE STRUCTURAL PLANS)
- ㉒ COMBINATION CONCRETE CURB AND GUTTER, TYPE M-2.24
- ㉓ CONCRETE MEDIAN
- ㉔ PIPE UNDERDRAINS 6"



**CLYDE DRIVE**  
**PROPOSED TYPICAL SECTION**  
**AT SIDE STREET CONSTRUCTION LIMIT**  
**(WEST BOUND 75TH STREET)**  
**(LOOKING NORTH)**



**CLYDE DRIVE**  
**PROPOSED TYPICAL SECTION**  
**AT SIDE STREET CONSTRUCTION LIMIT**  
**(EAST BOUND 75TH STREET)**  
**(LOOKING SOUTH)**



**RIVER DRIVE**  
**PROPOSED TYPICAL SECTION**  
**AT SIDE STREET CONSTRUCTION LIMIT**  
**(LOOKING SOUTH)**


\*SEE PROPOSED PLAN AND PROFILE SHEETS FOR EXACT LOCATIONS

REVISIONS	
NAME	DATE

INTERSECTION IMPROVEMENT  
WASHINGTON STREET - 75th STREET  
PROPOSED TYPICAL SECTIONS

SHEET 9 OF 11

CONSULTANT  
**TYLIN INTERNATIONAL**

City of  **Naperville**

DRAWN: \_\_\_\_\_ SHEET NO. \_\_\_\_\_

CHECKED: \_\_\_\_\_

APPROVED: \_\_\_\_\_

DATE: APRIL 11, 2008

SCALE: NONE

JOB NO.: P-91-494-00 PROJECT NO.: M-CMM-7003 (985)

10/2/08 AM 4/11/2008