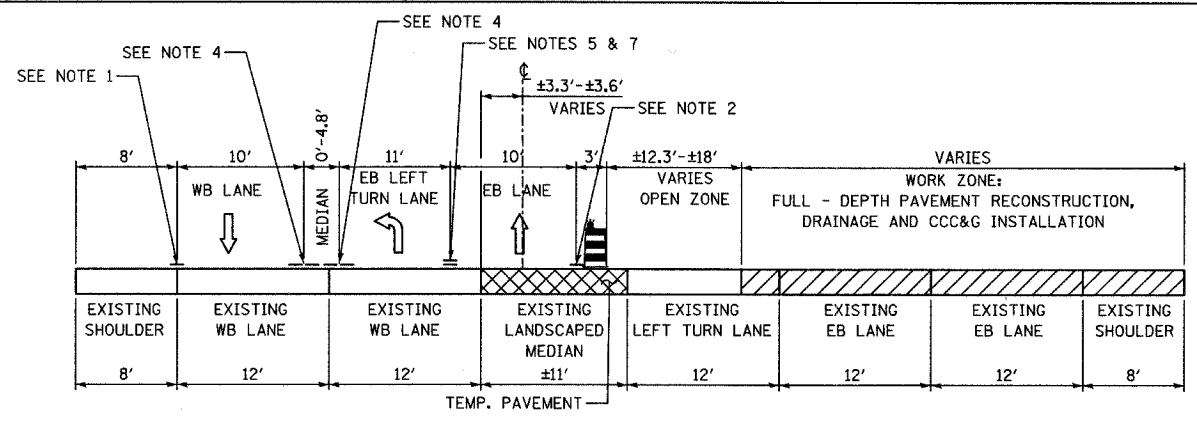
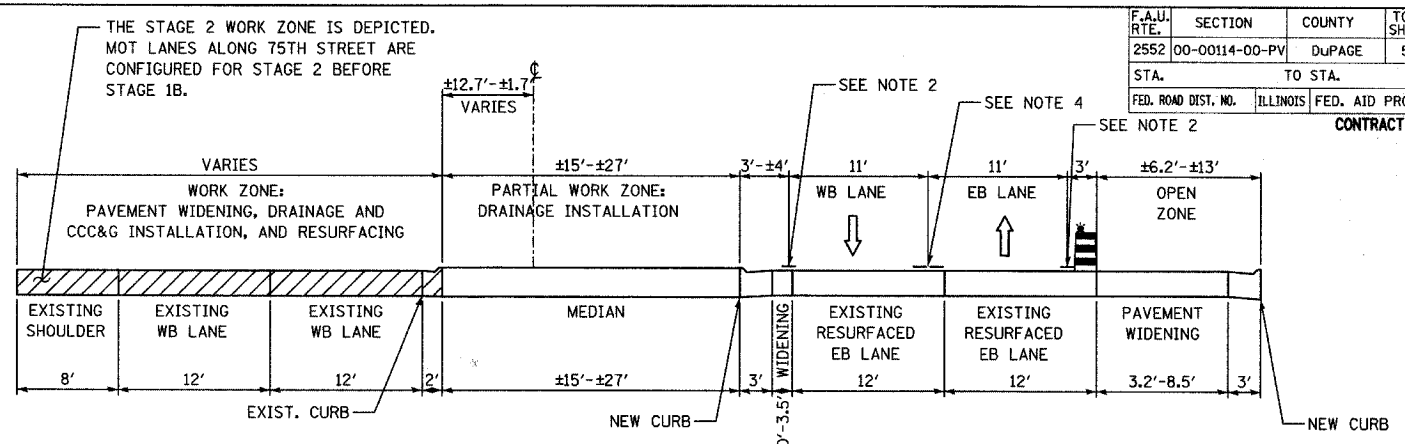


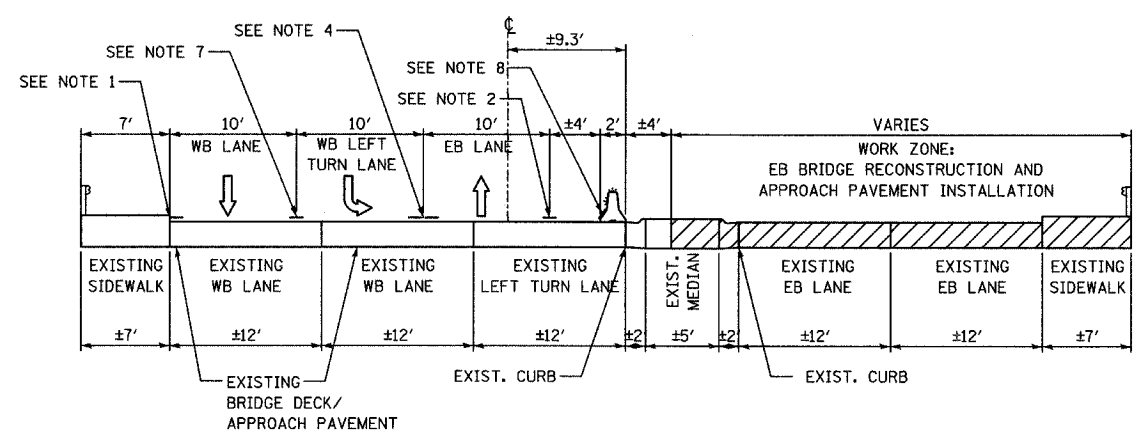
F.A.U. RTE.	SECTION	COUNTY	TOTAL SHEETS	SHEET NO.
2552	00-00114-00-PV	DuPAGE	563	73
STA.	TO STA.			
FED. ROAD DIST. NO.	ILLINOIS	FED. AID PROJECT		
CONTRACT NO. 63024				



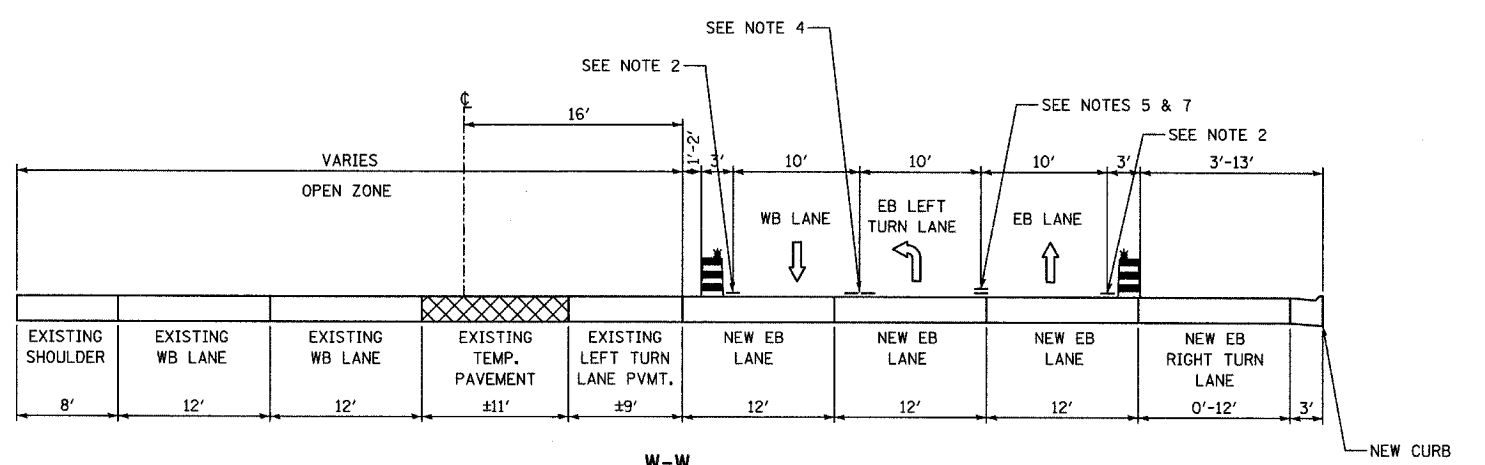
S-S
STAGE 1A: W. 75TH STREET; STA. 145+77 TO STA. 147+50



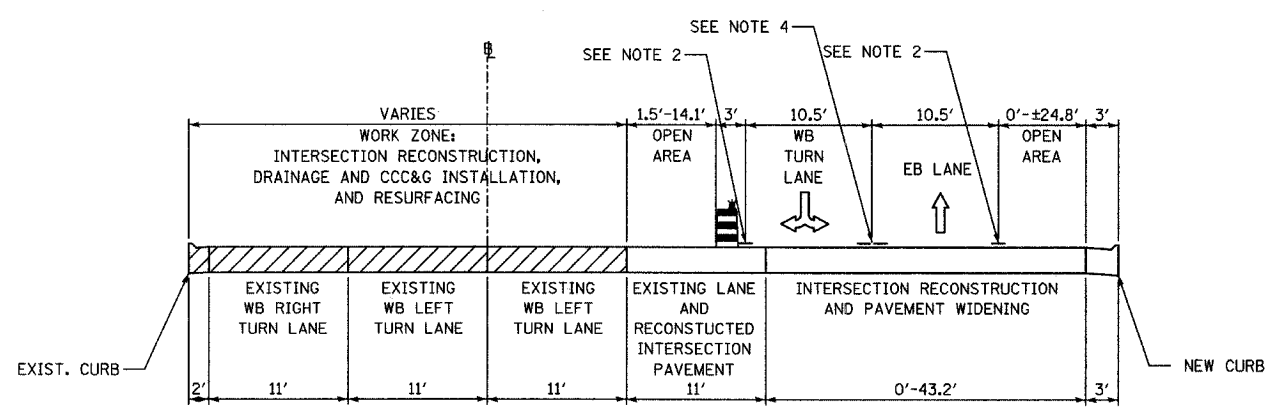
V-V
STAGES 1B AND 2: W. 75TH STREET; STA. 130+50 TO STA. 141+10



T-T
STAGE 1A: E. 75TH STREET; STA. 150+31 TO STA. 152+20



W-W
STAGE 1B: W. 75TH STREET; STA. 145+77 TO STA. 147+50



U-U
STAGE 1B: HOBSON ROAD; STA. 700+60 TO STA. 702+24

- NOTE 1** - EXISTING PAVEMENT MARKING
- NOTE 2** - TEMPORARY PAVEMENT MARKING- LINE 4" (WHITE)
- NOTE 3** - TEMPORARY PAVEMENT MARKING- LINE 4" (YELLOW)
- NOTE 4** - TEMPORARY PAVEMENT MARKING- DOUBLE 4" (YELLOW), 11" CENTER TO CENTER
- NOTE 5** - TEMPORARY PAVEMENT MARKING- SKIP-DASH 4" (WHITE), 2' LINE WITH 6' SPACE
- NOTE 6** - TEMPORARY PAVEMENT MARKING- LINE 8" (WHITE)
- NOTE 7** - TEMPORARY PAVEMENT MARKING- LINE 6" (WHITE)
- NOTE 8** - TEMPORARY PAVEMENT MARKING- ON BARRIER WALL- LINE 6" (WHITE)
- NOTE 9** - TEMPORARY PAVEMENT MARKING- SKIP-DASH 4" (WHITE) 10' LINE WITH 30' SPACE
- NOTE 10** - TEMPORARY PAVEMENT MARKING- ON BARRIER WALL- LINE 6" (YELLOW)
- LEGEND:**
- TEMPORARY CONCRETE BARRIER (WITH REFLECTORS ON TOP AND SIDE FACING TRAFFIC)
 - TRAFFIC MOVEMENT
 - DRUM WITH MONO-DIRECTIONAL STEADY BURNING LIGHT
 - TYPE II BARRICADE WITH MONO-DIRECTIONAL STEADY BURNING LIGHT
 - WORK ZONE AREA
 - TEMPORARY PAVEMENT
- ALL MOT TYPICAL SECTIONS ARE DRAWN GOING UP-STATION
- DOUBLE YELLOW ONLY APPLIED ADJACENT TO MEDIAN - SEE PLANS FOR ADDITIONAL DETAIL

REVISIONS		INTERSECTION IMPROVEMENT WASHINGTON STREET - 75th STREET MAINTENANCE OF TRAFFIC TYPICAL SECTIONS SHEET 5 OF 13	City of Naperville	
NAME	DATE		DRAWN	SHEET NO.
		CHECKED		
		APPROVED		
		DATE: APRIL 11, 2008		
		SCALE:		
		JOB NO.: P-91-494-00	PROJECT NO.: M-CMM-7003 (985)	
		CONSULTANT TYLIN INTERNATIONAL		